



# T&S BRASS AND BRONZE WORKS, INC.

2 Saddleback Cove / P.O. Box 1088  
Travelers Rest, SC 29690

Model No.

**B-0892-01**

Item No.

Travelers Rest, SC: 800-476-4103 • Simi Valley, CA: 800-423-0150 • Fax: 864-834-3518 • www.tsbrass.com



**ADA Compliant**

This Space for Architect/Engineer Approval

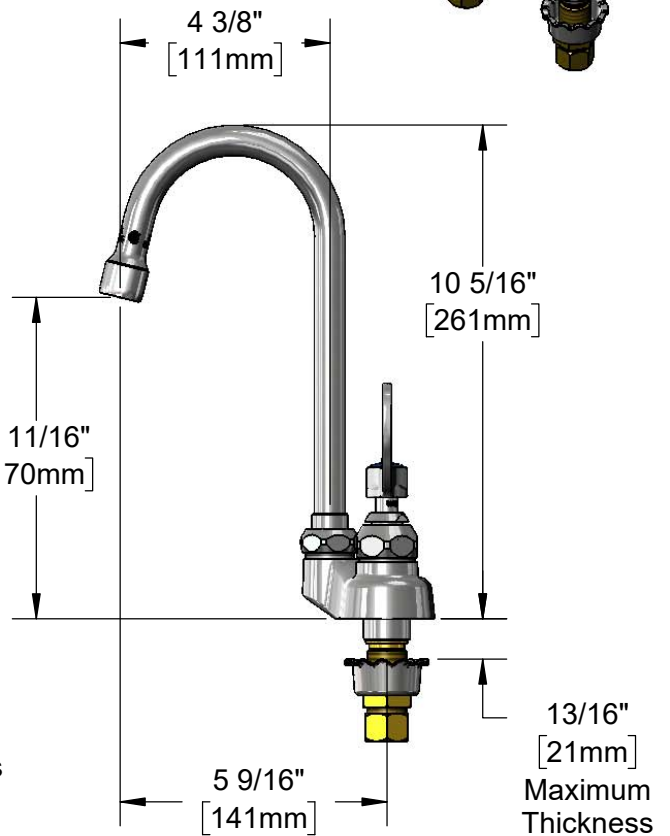
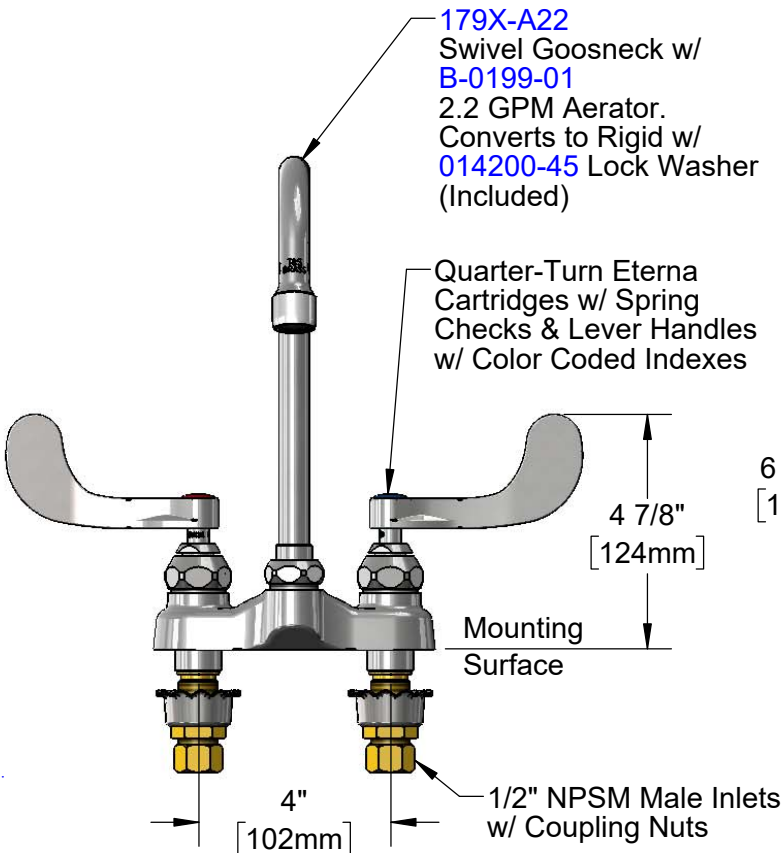
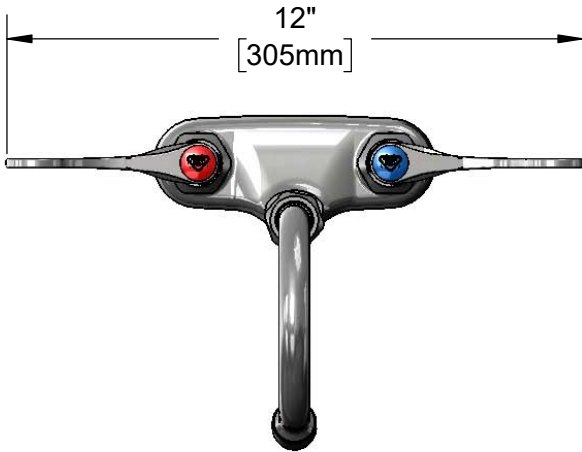
Job Name \_\_\_\_\_ Date \_\_\_\_\_

Model Specified \_\_\_\_\_ Quantity \_\_\_\_\_

Customer/Wholesaler \_\_\_\_\_

Contractor \_\_\_\_\_

Architect/Engineer \_\_\_\_\_



**Rough-In Requirement:**  
(2)  $\phi$  1 1/8" [29mm] Mounting Holes

**Product Specifications:**  
4" Centerset Deck Mount Mixing Faucet, Eterna Cartridges, 4" Wrist Action Handles, 4 3/8" Swivel Goosneck, 2.2 GPM Aerator & 1/2" NPSM Male Inlets w/ Coupling Nuts

**Product Compliance:**  
ASME A112.18.1 / CSA B125.1  
NSF 61 - Section 9  
NSF 372 (Low Lead Content)  
ANSI A117.1 (ADA)



# T&S BRASS AND BRONZE WORKS, INC.

2 Saddleback Cove / P.O. Box 1088  
Travelers Rest, SC 29690

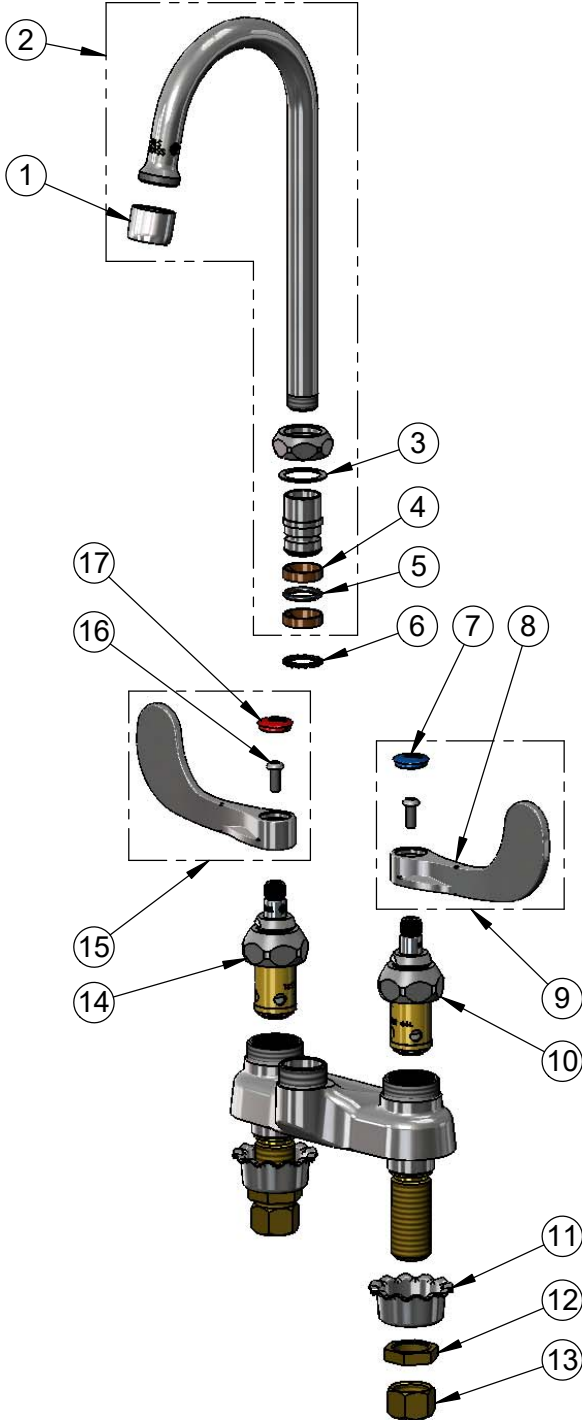
Model No.

**B-0892-01**

Item No.

Travelers Rest, SC: 800-476-4103 • Simi Valley, CA: 800-423-0150 • Fax: 864-834-3518 • www.tsbrass.com

| ITEM NO. | SALES NO.   | DESCRIPTION  |
|----------|-------------|--|
| 1        | B-0199-01   | 2.2 GPM Aerator, 55/64-27 UN Female                |
| 2        | 179X-A22    | 4 3/8" Swivel Gooseneck w/ 2.2 GPM Aerator         |
| 3        | 009538-45   | Swivel Washer                                      |
| 4        | 011429-45   | Swivel Sleeves (2)                                 |
| 5        | 001074-45   | O-Ring   |
| 6        | 014200-45   | Star Washer, Anti-Rotation                         |
| 7        | 018506-19NS | Blue Button Index, Press-in                        |
| 8        | B-WH4-NS    | Wrist Action Handle (New Style)                    |
| 9        | B-WH4C-NS   | Wrist Action Handle, Blue Index & Screw            |
| 10       | 012442-40NS | Quarter-Turn Eterna Cartridge w/ Spring Check, LTC |
| 11       | 001000-45   | Rosette Washer                                     |
| 12       | 002954-45   | Shank Lock Nut                                     |
| 13       | 000958-20   | Coupling Nut                                       |
| 14       | 012443-40NS | Quarter-Turn Eterna Cartridge w/ Spring Check, RTC |
| 15       | B-WH4H-NS   | Wrist Action Handle, Red Index & Screw             |
| 16       | 000925-45   | Lab Handle Screw                                   |
| 17       | 001193-19NS | Red Button Index, Press-in                         |



**Product Specifications:**

4" Centerset Deck Mount Mixing Faucet, Eterna Cartridges, 4" Wrist Action Handles, 4 3/8" Swivel Gooseneck, 2.2 GPM Aerator & 1/2" NPSM Male Inlets w/ Coupling Nuts

**Product Compliance:**

ASME A112.18.1 / CSA B125.1  
NSF 61 - Section 9  
NSF 372 (Low Lead Content)  
ANSI A117.1 (ADA)