



# T&S BRASS AND BRONZE WORKS, INC.

2 Saddleback Cove / P.O. Box 1088  
Travelers Rest, SC 29690

Model No.

**B-0892-01CR-L22**

Item No.

Travelers Rest, SC: 800-476-4103 • Simi Valley, CA: 800-423-0150 • Fax: 864-834-3518 • www.tsbrass.com



**ADA Compliant**

This Space for Architect/Engineer Approval

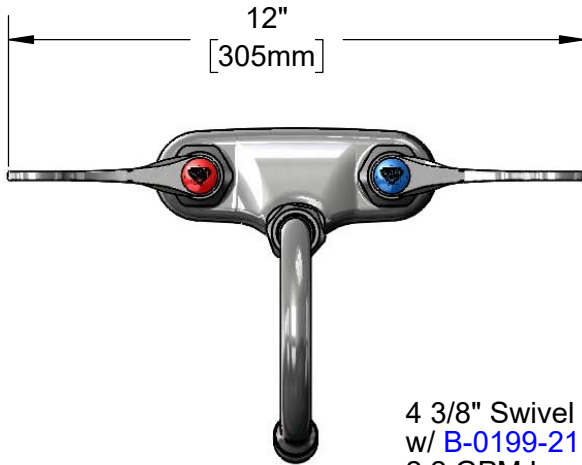
Job Name \_\_\_\_\_ Date \_\_\_\_\_

Model Specified \_\_\_\_\_ Quantity \_\_\_\_\_

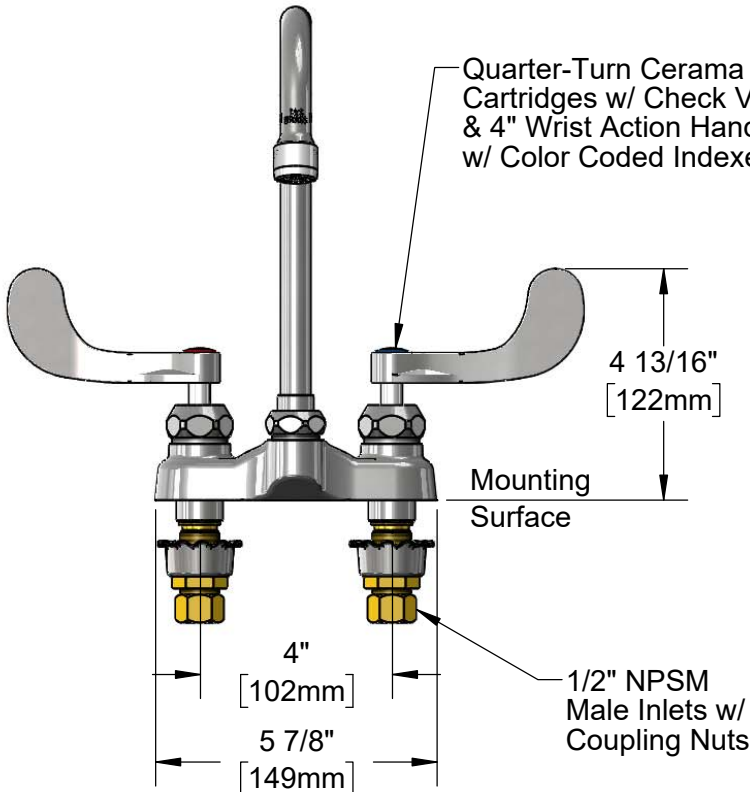
Customer/Wholesaler \_\_\_\_\_

Contractor \_\_\_\_\_

Architect/Engineer \_\_\_\_\_



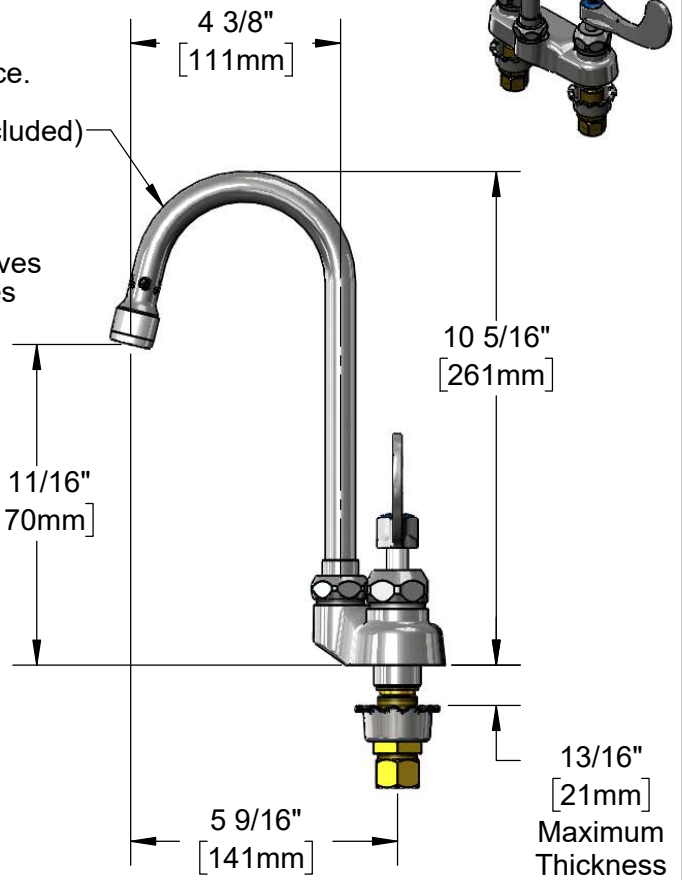
4 3/8" Swivel Gooseneck  
w/ B-0199-21  
2.2 GPM Laminar Flow Device.  
Converts to Rigid w/  
014200-45 Lock Washer (Included)



Quarter-Turn Cerama  
Cartridges w/ Check Valves  
& 4" Wrist Action Handles  
w/ Color Coded Indexes

Mounting  
Surface

1/2" NPSM  
Male Inlets w/  
Coupling Nuts



13/16"  
[21mm]  
Maximum  
Thickness

Rough-In Requirement:  
(2)  $\varnothing$  1 1/8" [26mm] Mounting Holes

**Product Specifications:**

4" Centerset Deck Mount Mixing Faucet , Quarter-Turn Cerama Cartridges w/ Check Valves, 4" Wrist Action Handles, 4 3/8" Swivel Gooseneck, 2.2 GPM Laminar Flow Device & 1/2" NPSM Male Inlets

**Product Compliance:**

ASME A112.18.1 / CSA B125.1  
NSF 61 - Section 9  
NSF 372 (Low Lead Content)  
ANSI A117.1 (ADA)



# T&S BRASS AND BRONZE WORKS, INC.

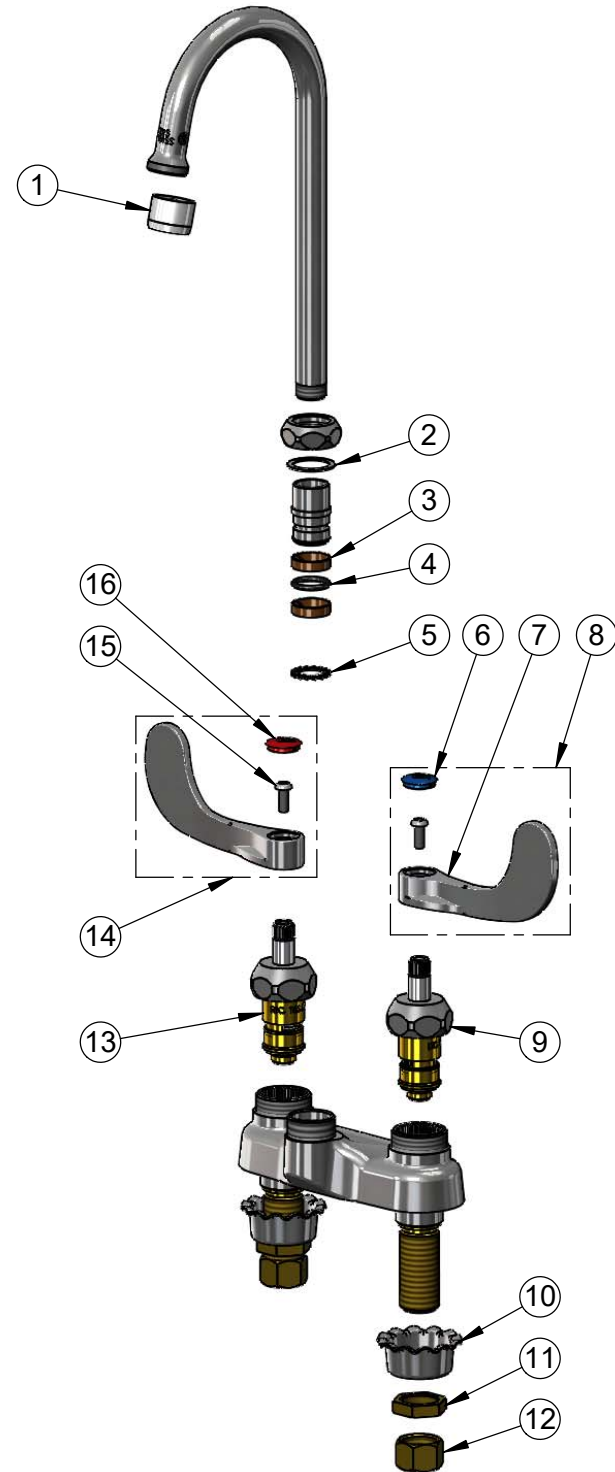
2 Saddleback Cove / P.O. Box 1088  
Travelers Rest, SC 29690

Model No.

**B-0892-01CR-L22**

Item No.

Travelers Rest, SC: 800-476-4103 • Simi Valley, CA: 800-423-0150 • Fax: 864-834-3518 • www.tsbrass.com



ITEM NO.	SALES NO.	DESCRIPTION
1	B-0199-21	Laminar Flow Device
2	009538-45	Swivel Washer
3	011429-45	Swivel Sleeves (2)
4	001074-45	O-Ring
5	014200-45	Star Washer, Anti-Rotation
6	018506-19NS	Blue Button Index, Press-in
7	B-WH4-NS	Wrist Action Handle (New Style)
8	B-WH4C-NS	Wrist Action Handle, Blue Index & Screw
9	012395-25NS	Quarter-Turn Cerama Cartridge w/ Check Valve, LTC
10	001000-45	Rosette Washer
11	002954-45	Shank Lock Nut
12	000958-20	Coupling Nut
13	012394-25NS	Quarter-Turn Cerama Cartridge w/ Check Valve, RTC
14	B-WH4H-NS	Wrist Action Handle, Red Index & Screw
15	000925-45	Lab Handle Screw
16	001193-19NS	Red Button Index, Press-in

**Product Specifications:**

4" Centerset Deck Mount Mixing Faucet , Quarter-Turn Cerama Cartridges w/ Check Valves, 4" Wrist Action Handles, 4 3/8" Swivel Gooseneck, 2.2 GPM Laminar Flow Device & 1/2" NPSM Male Inlets

**Product Compliance:**

ASME A112.18.1 / CSA B125.1  
NSF 61 - Section 9  
NSF 372 (Low Lead Content)  
ANSI A117.1 (ADA)