



# T&S BRASS AND BRONZE WORKS, INC.

2 Saddleback Cove / P.O. Box 1088  
Travelers Rest, SC 29690

Model No.

**B-0890-VF05**

Item No.

Travelers Rest, SC: 800-476-4103 • Simi Valley, CA: 800-423-0150 • Fax: 864-834-3518 • www.tsbrass.com



**ADA Compliant**

This Space for Architect/Engineer Approval

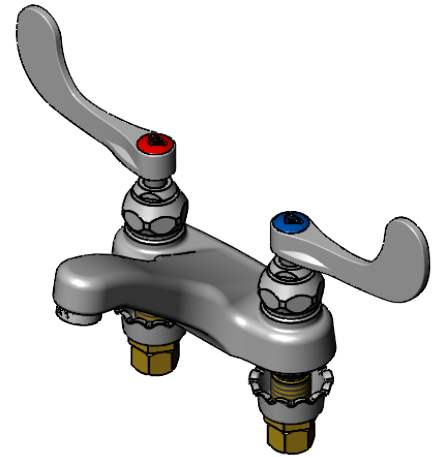
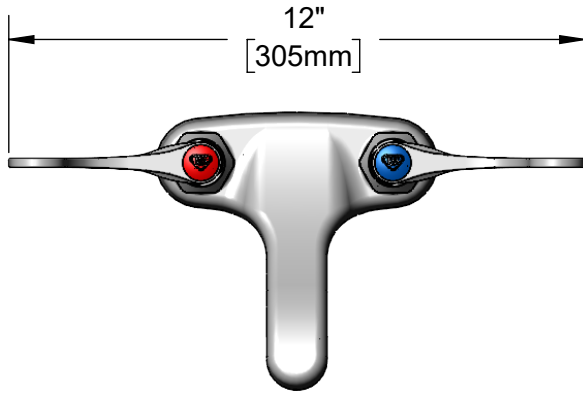
Job Name \_\_\_\_\_ Date \_\_\_\_\_

Model Specified \_\_\_\_\_ Quantity \_\_\_\_\_

Customer/Wholesaler \_\_\_\_\_

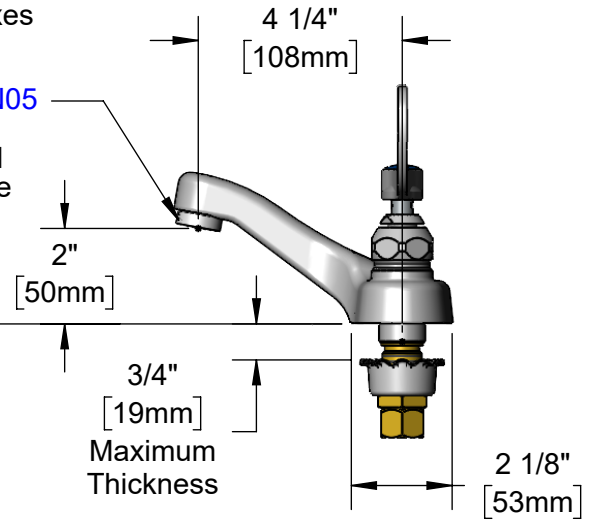
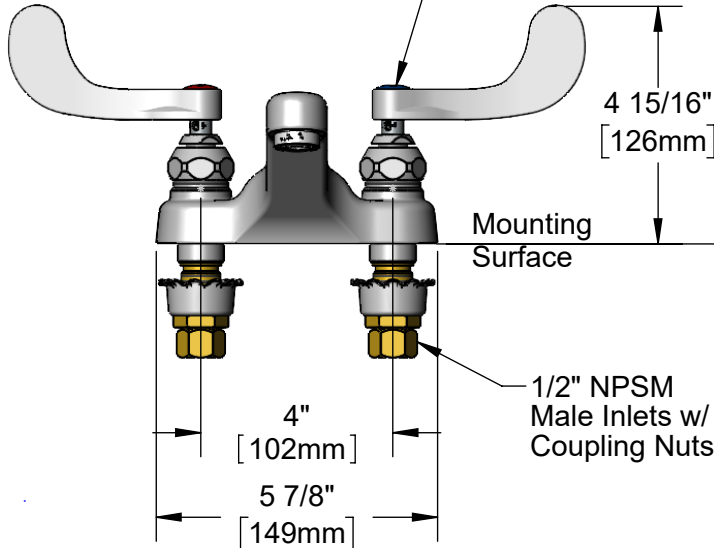
Contractor \_\_\_\_\_

Architect/Engineer \_\_\_\_\_



Quarter-Turn Eterna Cartridges  
w/ Spring Checks &  
4" Wrist Action Handles w/  
VR Screws & Color Coded Indexes

**B-0199-08-N05**  
VR 0.5 GPM  
Non-Aerated  
Spray Device



Mounting  
Surface

1/2" NPSM  
Male Inlets w/  
Coupling Nuts

**Rough-In Requirement:**  
(2)  $\phi$  1 1/8" [29mm] Mounting Holes

**Product Specifications:**

4" Centerset Deck Mount Faucet, Quarter-Turn Eterna Cartridges w/ Spring Checks, 4" Wrist Action Handles w/ Vandal Resistant Screws, 0.5 GPM VR Non-Aerated Spray Device & 1/2" NPSM Male Inlets w/ Coupling Nuts

**Product Compliance:**

ASME A112.18.1 / CSA B125.1  
NSF 61 - Section 9  
NSF 372 (Low Lead Content)  
ANSI A117.1 (ADA)



# T&S BRASS AND BRONZE WORKS, INC.

2 Saddleback Cove / P.O. Box 1088  
Travelers Rest, SC 29690

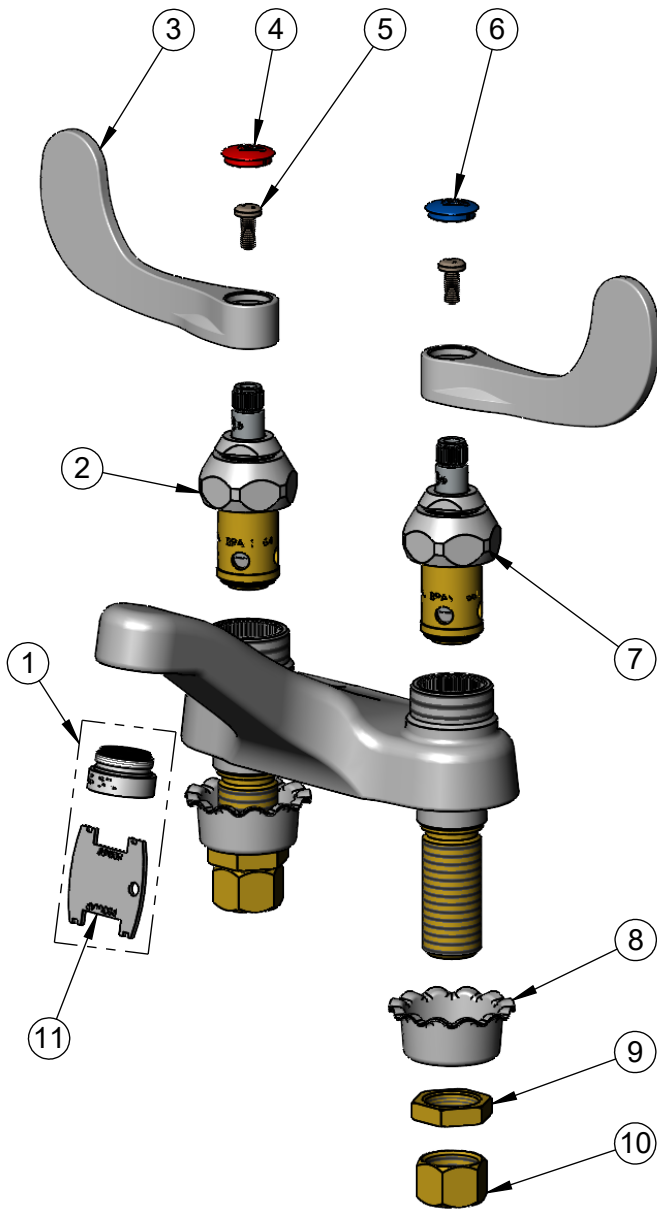
Model No.

**B-0890-VF05**

Item No.

Travelers Rest, SC: 800-476-4103 • Simi Valley, CA: 800-423-0150 • Fax: 864-834-3518 • www.tsbrass.com

ITEM NO.	SALES NO.	DESCRIPTION
1	B-0199-08-N05	0.5 GPM VR Spray Device, 13/16-27 Male
2	012443-40NS	Quarter-Turn Eterna Cartridge w/ Spring Check, RTC
3	B-WH4-NS	Wrist Action Handle - New Style
4	001193-19NS	Red Button Index, Press-in
5	VRS-2	VR Wrist Action Handle Screw (2) w/ Spanner Bit
6	018506-19NS	Blue Button Index, Press-in
7	012442-40NS	Quarter-Turn Eterna Cartridge w/ Spring Check, LTC
8	001000-45	Rosette Washer
9	002954-45	Shank Lock Nut
10	000958-20	Coupling Nut
11	015425-45	Vandal Resistant Key



**014075-45**  
Vandal Resistant  
#10 Spanner Bit

**Product Specifications:**

4" Centerset Deck Mount Faucet, Quarter-Turn Eterna Cartridges w/ Spring Checks, 4" Wrist Action Handles w/ Vandal Resistant Screws, 0.5 GPM VR Non-Aerated Spray Device & 1/2" NPSM Male Inlets w/ Coupling Nuts

**Product Compliance:**

ASME A112.18.1 / CSA B125.1  
NSF 61 - Section 9  
NSF 372 (Low Lead Content)  
ANSI A117.1 (ADA)