



T&S BRASS AND BRONZE WORKS, INC.

2 Saddleback Cove / P.O. Box 1088
Travelers Rest, SC 29690

Model No.

B-0870

Item No.

Travelers Rest, SC: 800-476-4103 • Simi Valley, CA: 800-423-0150 • Fax: 864-834-3518 • www.tsbrass.com

This Space for Architect/Engineer Approval

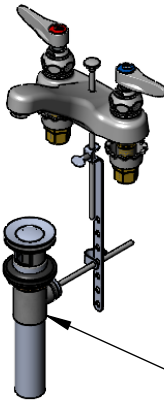
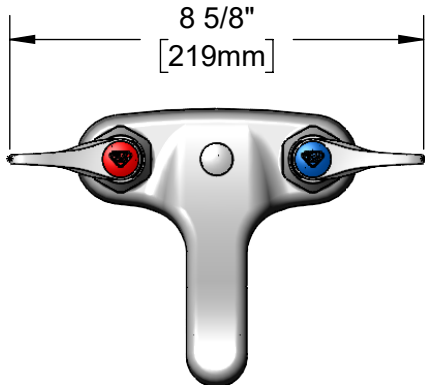
Job Name _____ Date _____

Model Specified _____ Quantity _____

Customer/Wholesaler _____

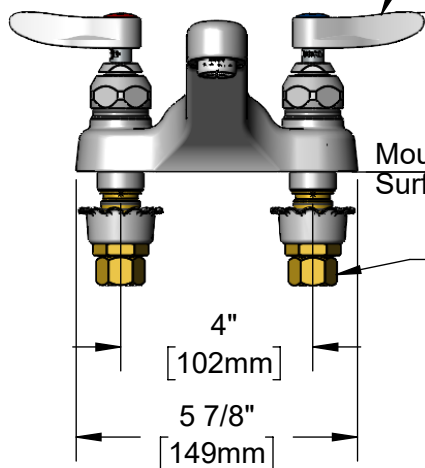
Contractor _____

Architect/Engineer _____



Furnished w/ Pop-Up Drain Assembly

Quarter-Turn Eterna Cartridges w/ Spring Checks & Lever Handles w/ Color Coded Indexes



Mounting Surface

1/2" NPSM Male Inlets w/ Coupling Nuts

B-0199-03
2.2 GPM Aerator

4 1/4" [108mm]

2" [51mm]

3/4" [19mm]
Maximum Thickness

2 1/16" [52mm]

1 3/4" [44mm]
Maximum Thickness

8 1/16" [205mm]

Ø 1 1/4" [32mm]
Tailpiece

Rough-In Requirement:

Faucet: (3) Ø 1 1/8" [29mm] Diameter Mounting Holes

Pop-Up Drain: Fits Sinks With 1 7/16" [36.5mm] to 1 3/4" [44mm] Diameter Drain Hole

Product Specifications:

4" Centerset Deck Mount Faucet, Quarter-Turn Eterna Cartridges w/ Spring Checks, Lever Handles, 2.2 GPM Aerator Outlet, Pop-Up Drain & 1/2" NPSM Male Inlets w/ Coupling Nuts

Product Compliance:

ASME A112.18.1 / CSA B125.1
NSF 61 - Section 9
NSF 372 (Low Lead Content)



T&S BRASS AND BRONZE WORKS, INC.

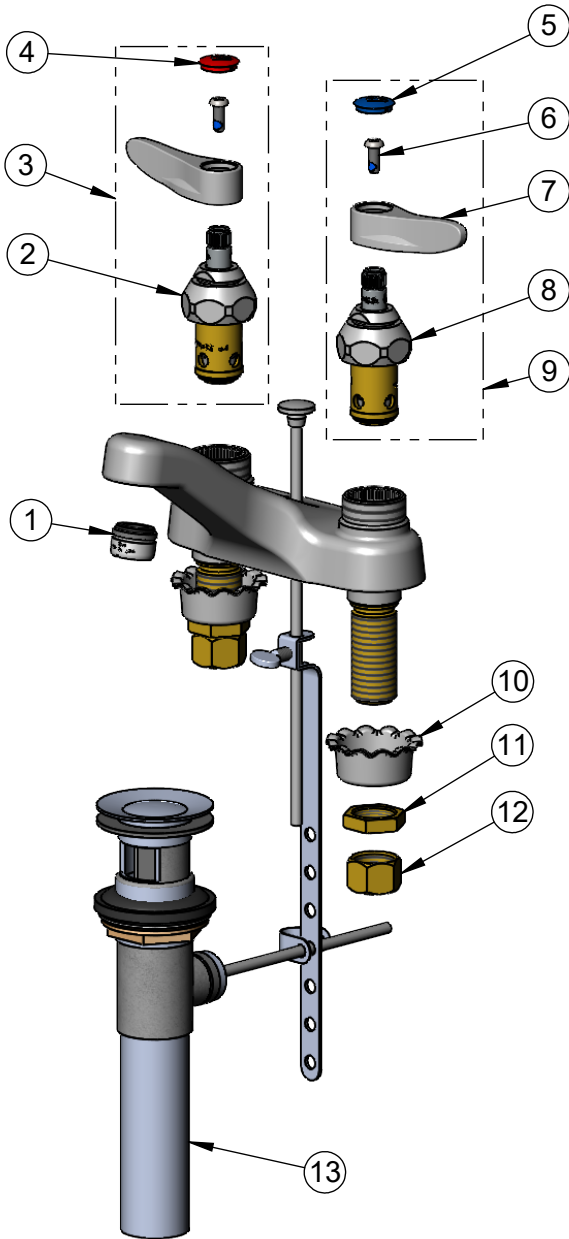
2 Saddleback Cove / P.O. Box 1088
Travelers Rest, SC 29690

Model No.

B-0870

Item No.

Travelers Rest, SC: 800-476-4103 • Simi Valley, CA: 800-423-0150 • Fax: 864-834-3518 • www.tsbrass.com



| ITEM NO. | SALES NO. | DESCRIPTION |
|----------|-------------|--|
| 1 | B-0199-03 | 2.2 GPM Aerator, 13/16-27 UN Male |
| 2 | 012443-40NS | Quarter-Turn Eterna Cartridge w/ Spring Check, RTC |
| 3 | 002712-40NS | Quarter-Turn Eterna Cartridge w/ Spring Check, Handle, Red Index & Screw, RTC |
| 4 | 001193-19NS | Red Button Index, Press-in |
| 5 | 018506-19NS | Blue Button Index, Press-in |
| 6 | 000925-45 | Lab Handle Screw |
| 7 | 001638-45NS | Lever Handle (New Style) |
| 8 | 012442-40NS | Quarter-Turn Eterna Cartridge w/ Spring Check, LTC |
| 9 | 002711-40NS | Quarter-Turn Eterna Cartridge w/ Spring Check, Handle, Blue Index & Screw, LTC |
| 10 | 001000-45 | Rosette Washer |
| 11 | 002954-45 | Shank Lock Nut |
| 12 | 000958-20 | Coupling Nut |
| 13 | B-0898 | Sink Drain w/ Pop-Up |

Product Specifications:

4" Centerset Deck Mount Faucet, Quarter-Turn Eterna Cartridges w/ Spring Checks, Lever Handles, 2.2 GPM Aerator Outlet, Pop-Up Drain & 1/2" NPSM Male Inlets w/ Coupling Nuts

Product Compliance:

ASME A112.18.1 / CSA B125.1
NSF 61 - Section 9
NSF 372 (Low Lead Content)