



# T&S BRASS AND BRONZE WORKS, INC.

2 Saddleback Cove / P.O. Box 1088  
Travelers Rest, SC 29690

Model No.

**B-0870-CR**

Item No.

Travelers Rest, SC: 800-476-4103 • Simi Valley, CA: 800-423-0150 • Fax: 864-834-3518 • www.tsbrass.com

This Space for Architect/Engineer Approval

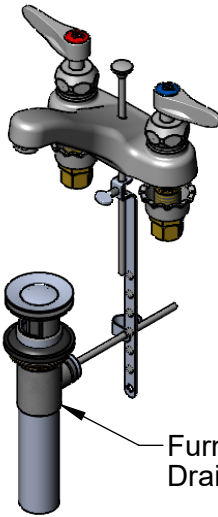
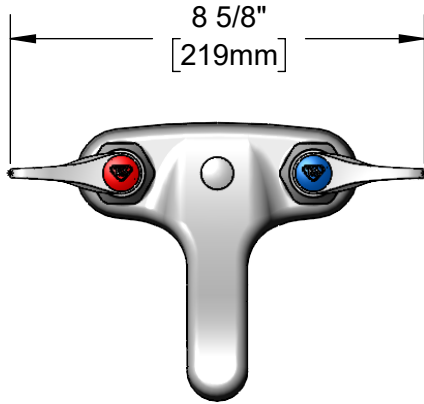
Job Name \_\_\_\_\_ Date \_\_\_\_\_

Model Specified \_\_\_\_\_ Quantity \_\_\_\_\_

Customer/Wholesaler \_\_\_\_\_

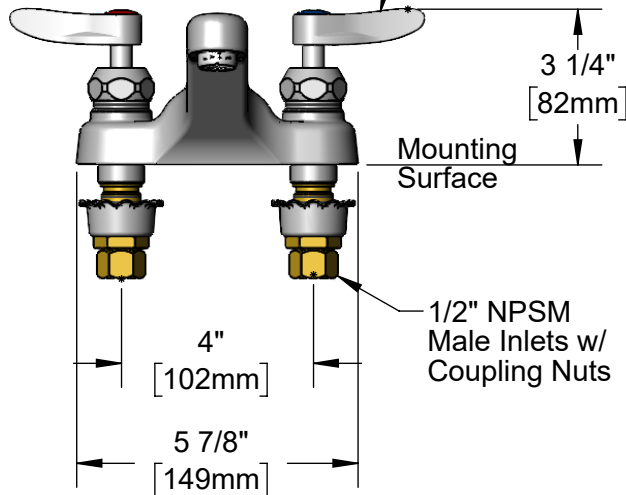
Contractor \_\_\_\_\_

Architect/Engineer \_\_\_\_\_



Furnished w/ Pop-Up  
Drain Assembly

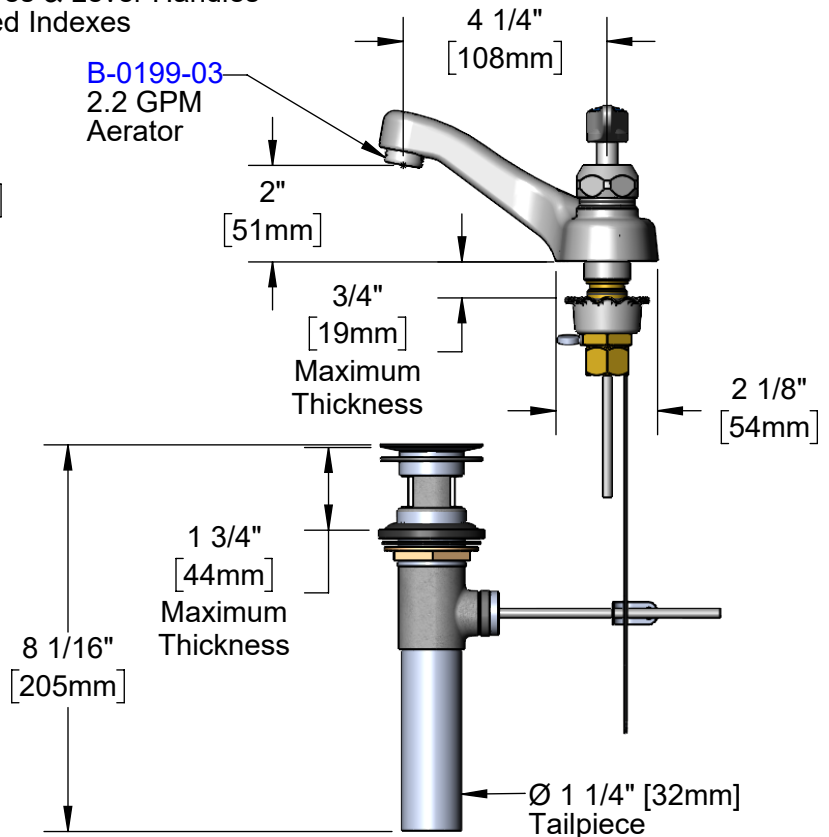
Quarter-Turn Cerama Cartridges  
w/ Check Valves & Lever Handles  
w/ Color Coded Indexes



Mounting  
Surface

1/2" NPSM  
Male Inlets w/  
Coupling Nuts

B-0199-03  
2.2 GPM  
Aerator



### Rough-In Requirement:

Faucet: (3) Ø 1 1/8" [29mm] Diameter Mounting Holes

Pop-Up Drain: Fits Sinks With 1 7/16" [36.5mm] to 1 3/4" [44mm] Diameter Drain Hole

### Product Specifications:

4" Centerset Deck Mount Mixing Faucet, Quarter-Turn Cerama Cartridges w/ Check Valves, Lever Handles, 2.2 GPM Aerator, Pop-Up Drain & 1/2" NPSM Male Inlets w/ Coupling Nuts

### Product Compliance:

ASME A112.18.1 / CSA B125.1  
NSF 61 - Section 9  
NSF 372 (Low Lead Content)



# T&S BRASS AND BRONZE WORKS, INC.

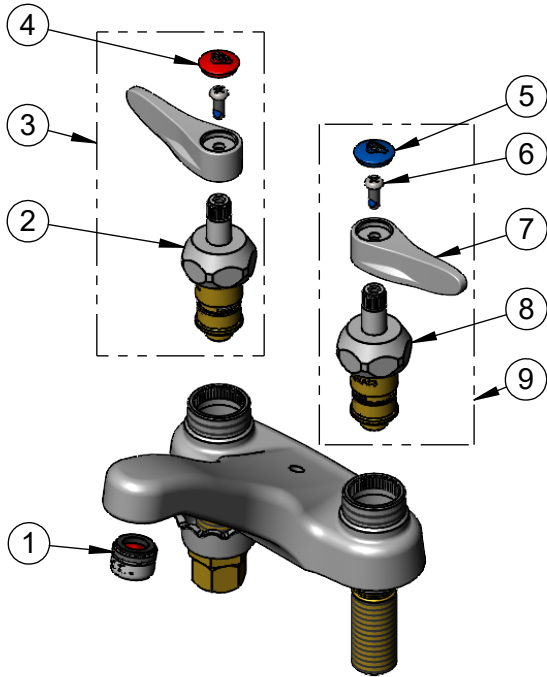
2 Saddleback Cove / P.O. Box 1088  
Travelers Rest, SC 29690

Model No.

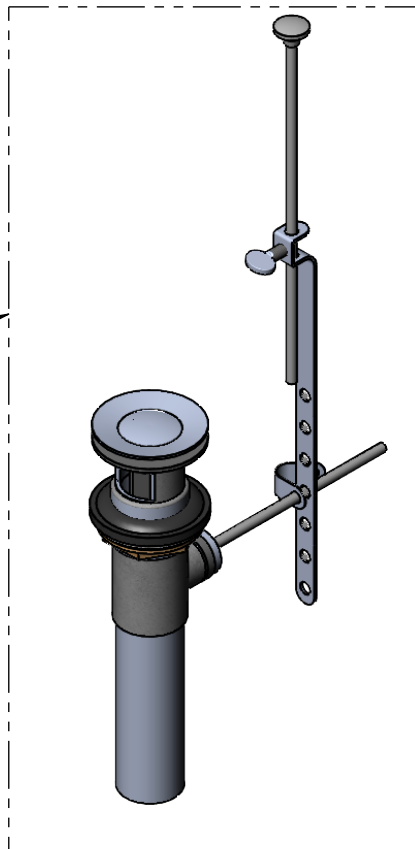
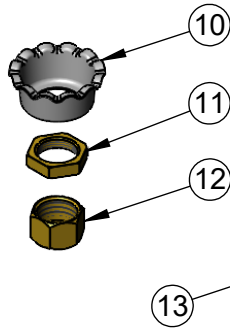
**B-0870-CR**

Item No.

Travelers Rest, SC: 800-476-4103 • Simi Valley, CA: 800-423-0150 • Fax: 864-834-3518 • www.tsbrass.com



ITEM NO.	SALES NO.	DESCRIPTION
1	B-0199-03	2.2 GPM Aerator, 13/16-27 UN Male
2	012394-25NS	Quarter-Turn Cerama Cartridge w/ Check Valve, RTC
3	012446-25NS	Quarter-Turn Cerama Cartridge w/ Check Valve, Handle, Red Index & Screw, RTC
4	001193-19NS	Red Button Index, Press-in
5	018506-19NS	Blue Button Index, Press-in
6	000925-45	Lab Handle Screw
7	001638-45NS	Lever Handle (New Style)
8	012395-25NS	Quarter-Turn Cerama Cartridge w/ Check Valve, LTC
9	012447-25NS	Quarter-Turn Cerama Cartridge w/ Check Valve, Handle, Blue Index & Screw, LTC
10	001000-45	Rosette Washer
11	002954-45	Shank Lock Nut
12	000958-20	Coupling Nut
13	B-0898	Sink Drain w/ Pop-Up



**Product Specifications:**

4" Centerset Deck Mount Mixing Faucet, Quarter-Turn Cerama Cartridges w/ Check Valves, Lever Handles, 2.2 GPM Aerator, Pop-Up Drain & 1/2" NPSM Male Inlets w/ Coupling Nuts

**Product Compliance:**

ASME A112.18.1 / CSA B125.1  
NSF 61 - Section 9  
NSF 372 (Low Lead Content)