



# T&S BRASS AND BRONZE WORKS, INC.

2 Saddleback Cove / P.O. Box 1088  
Travelers Rest, SC 29690

Model No.

**B-0869**

Item No.

Travelers Rest, SC: 800-476-4103 • Simi Valley, CA: 800-423-0150 • Fax: 864-834-3518 • www.tsbrass.com

This Space for Architect/Engineer Approval

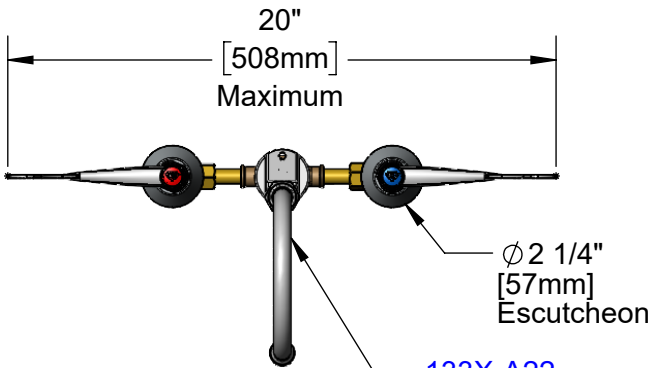
Job Name \_\_\_\_\_ Date \_\_\_\_\_

Model Specified \_\_\_\_\_ Quantity \_\_\_\_\_

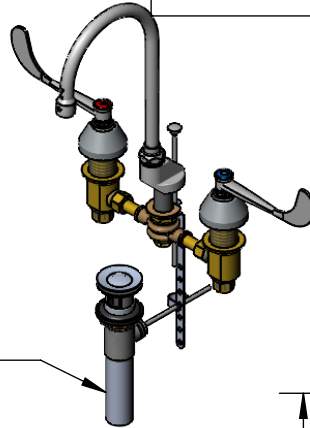
Customer/Wholesaler \_\_\_\_\_

Contractor \_\_\_\_\_

Architect/Engineer \_\_\_\_\_

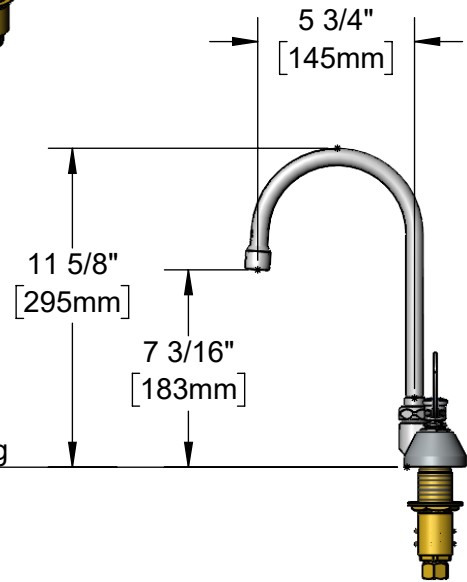
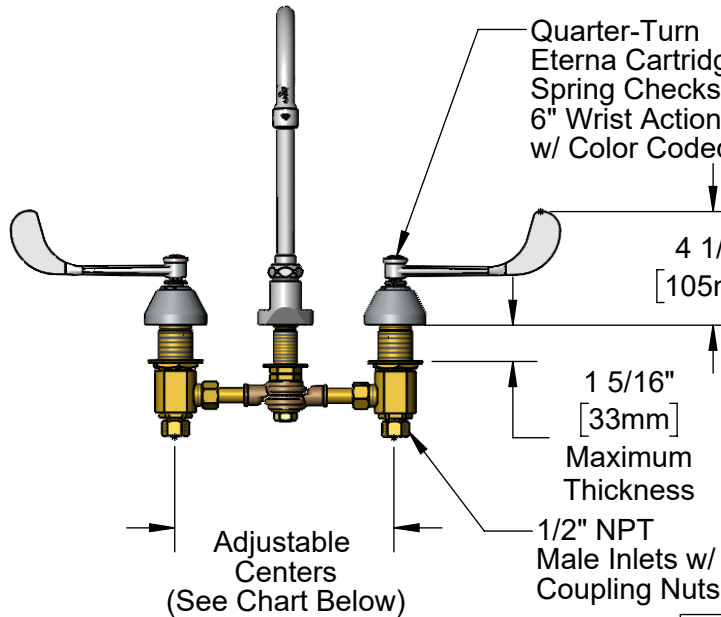


**133X-A22**  
5 3/4" Swivel  
Gooseneck w/  
2.2 GPM Aerator.  
Converts to Rigid  
w/ **014200-45** Lock  
Washer (Included)



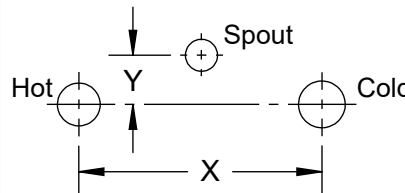
Pop-Up Drain

Quarter-Turn  
Eterna Cartridges w/  
Spring Checks &  
6" Wrist Action Handles  
w/ Color Coded Indexes



**Rough-In Requirement:**  
Center Shank:  $\phi$  1" [ $\phi$  25mm] Mounting Hole  
Hot/Cold Bodies:  $\phi$  1 1/2" [ $\phi$  38mm] Mounting Holes  
Pop-Up Drain: Fits Sinks with  $\phi$  1 7/16" [36mm] to  
 $\phi$  1 3/4" [44mm] Drain Hole

Hot & Cold Center Sections  
Can be at Angle



if "Y" is Then Faucet Will  
Fit "X" with Standard  
1/4" NPT Cross Pipes  
Furnished

1/2"	8"
1"	7 3/4"
1 1/2"	7 3/8"
2"	7"

Product Specifications:

8" Adjustable Centers Deck Mount Mixing Faucet, Quarter-Turn Eterna Cartridges w/ Spring Checks, 6" Wrist Action Handles, 5 3/4" Rigid/Swivel Gooseneck w/ 2.2 GPM Aerator & 1/2" NPT Male Inlets and Pop-Up Drain

Product Compliance:

ASME A112.18.1 / CSA B125.1  
NSF 61 - Section 9  
NSF 372 (Low Lead Content)



# T&S BRASS AND BRONZE WORKS, INC.

2 Saddleback Cove / P.O. Box 1088  
Travelers Rest, SC 29690

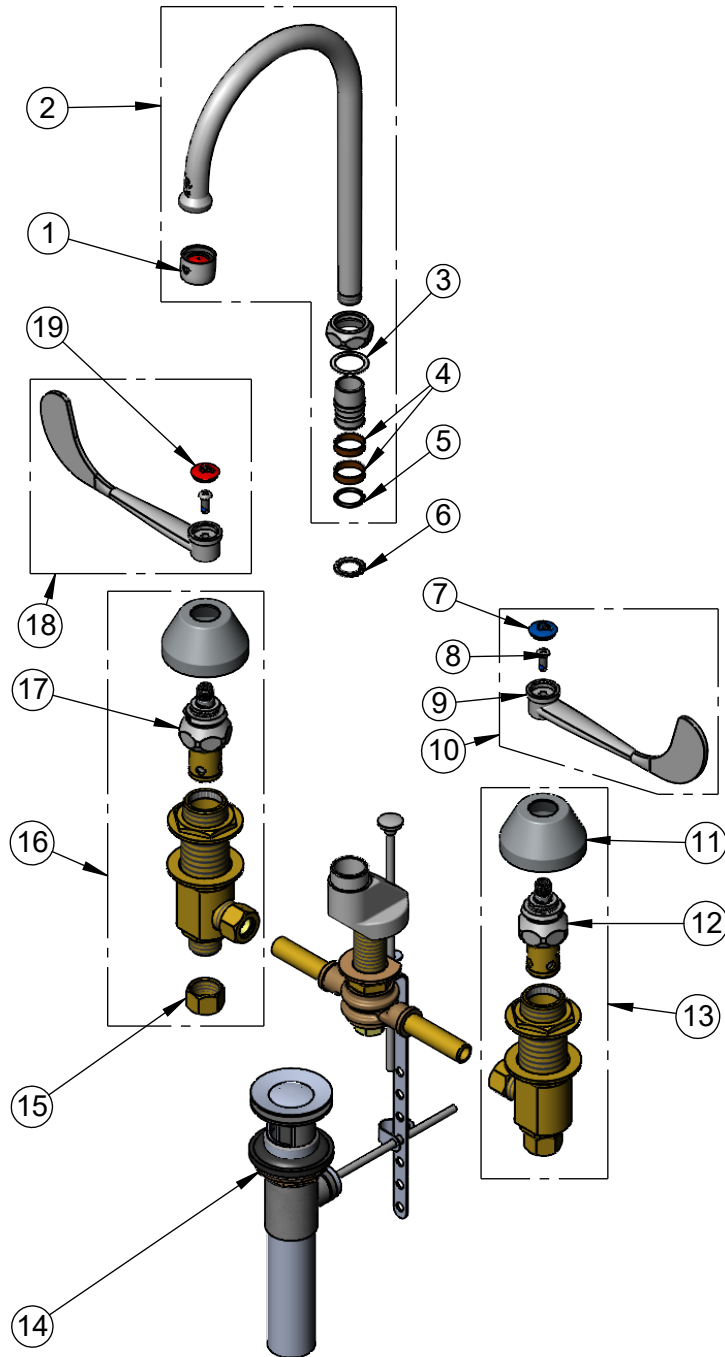
Model No.

**B-0869**

Item No.

Travelers Rest, SC: 800-476-4103 • Simi Valley, CA: 800-423-0150 • Fax: 864-834-3518 • www.tsbrass.com

ITEM NO.	SALES NO.	DESCRIPTION
1	B-0199-01	2.2 GPM Aerator, 55/64-27 UN Female
2	133X-A22	5 3/4" Swivel Gooseneck w/ 2.2 GPM Aerator
3	009538-45	Swivel Washer
4	011429-45	Swivel Sleeves (2)
5	001074-45	O-Ring
6	014200-45	Star Washer, Anti-Rotation
7	018506-19NS	Blue Button Index, Press-in
8	000925-45	Lab Handle Screw
9	B-WH6	6" Wrist Action Handle
10	B-WH6C-NS	6" Wrist Action Handle, Blue Index & Screw
11	001257-40NS	Bell Escutcheon
12	006477-40NS	CWS Quarter-Turn Eterna Cartridge w/ Spring Check, LTC
13	161A-NS	B-0850 New Style Side Body - Cold
14	B-0898	Pop-Up Drain
15	000958-20	Coupling Nut
16	162A-NS	B-0850 New Style Side Body - Hot
17	006478-40NS	CWS Quarter-Turn Eterna Cartridge w/ Spring Check, RTC
18	B-WH6H-NS	6" Wrist Action Handle, Red Index & Screw
19	001193-19NS	Red Button Index, Press-in



**Product Specifications:**

8" Adjustable Centers Deck Mount Mixing Faucet, Quarter-Turn Eterna Cartridges w/ Spring Checks, 6" Wrist Action Handles, 5 3/4" Rigid/Swivel Gooseneck w/ 2.2 GPM Aerator & 1/2" NPT Male Inlets and Pop-Up Drain

**Product Compliance:**

ASME A112.18.1 / CSA B125.1  
NSF 61 - Section 9  
NSF 372 (Low Lead Content)