



T&S BRASS AND BRONZE WORKS, INC.

2 Saddleback Cove / P.O. Box 1088
Travelers Rest, SC 29690

Model No.

B-0850-01-PV

Item No.

Travelers Rest, SC: 800-476-4103 • Simi Valley, CA: 800-423-0150 • Fax: 864-834-3518 • www.tsbrass.com

This Space for Architect/Engineer Approval

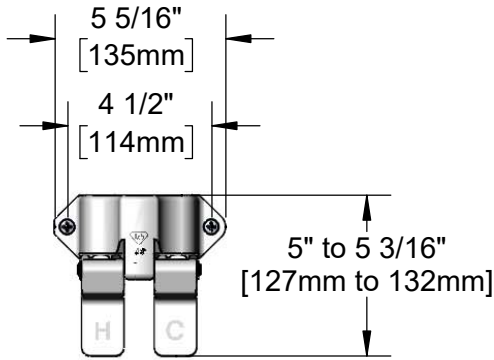
Job Name _____ Date _____

Model Specified _____ Quantity _____

Customer/Wholesaler _____

Contractor _____

Architect/Engineer _____



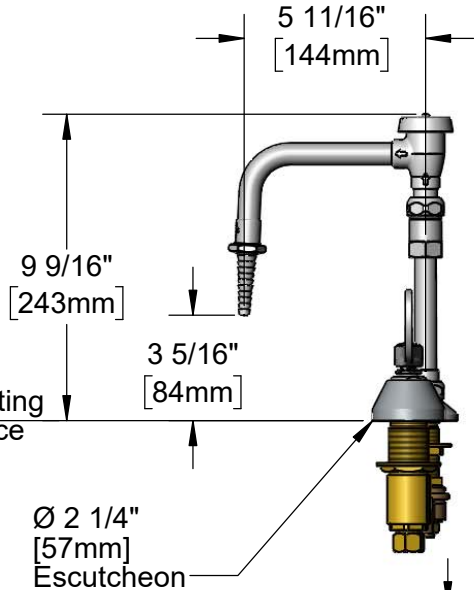
ADA Compliant

B-0968
3/8" NPT
Vacuum Breaker

Swing Nozzle w/
Vacuum Breaker &
Serrated Tip Outlet w/
0.5 GPM Flow Control

Ø2" [43mm]
Swivel Deck Flange

Quarter-Turn
Eterna Cartridges w/
Spring Checks
& 4" Wrist Action
Handles w/ Color
Coded Indexes



4 1/8" [104mm]

4 1/16" [103mm]

Mounting
Surface

9 9/16" [243mm]

3 5/16" [84mm]

Ø 2 1/4" [57mm]
Escutcheon

1 5/16" [33mm]
Maximum
Thickness

1 1/16" [28mm]

1/2" NPT Male Inlets
w/ Coupling Nuts

1 1/16" [28mm]

2 5/8" [67mm]

Adjustable Centers
(See Chart Below)

1/4" NPT Female
Thread For Pedal Valve

4 1/16" [102mm]

Rough-In Requirement:
Center Shank: Ø1" [Ø25mm] Mounting Hole
Hot/Cold Bodies: Ø1 1/2" [Ø38mm] Mounting Holes

Hot & Cold Center Sections Can be at Angle		if "Y" is	Then Faucet Will Fit "X" with Standard 1/4" NPT Cross Pipes Furnished	
			1/2"	8"
			1"	7 3/4"
			1 1/2"	7 3/8"
		2"	7"	

Product Specifications:
8" Concealed Widespread Mixing Faucet, Quarter-Turn Eterna Cartridges w/
Spring Checks, 4" Wrist Action Handles, Swing Nozzle w/ Vacuum Breaker,
Serrated Tip w/ 0.5 GPM Flow Control, Pedal Valve Connection w/ Floor
Mounted Double Pedal Valve & 1/2" NPT Male Inlets w/ Coupling Nuts

Product Compliance:
ASME A112.18.1 / CSA B125.1
NSF 61 - Section 9
NSF 372 (Low Lead Content)
ASSE 1001 (VB)
ANSI A117.1 (ADA)



T&S BRASS AND BRONZE WORKS, INC.

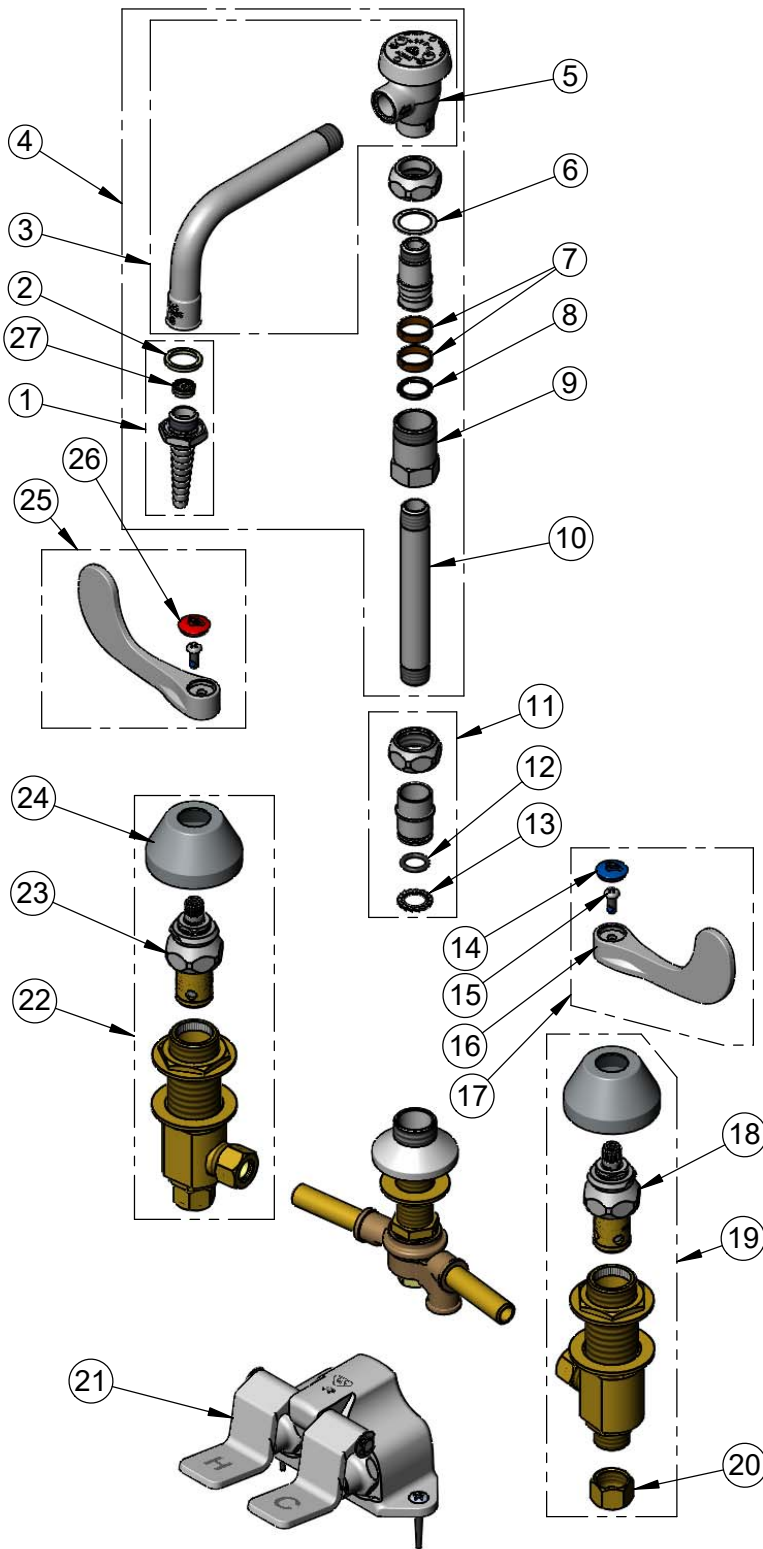
2 Saddleback Cove / P.O. Box 1088
Travelers Rest, SC 29690

Model No.

B-0850-01-PV

Item No.

Travelers Rest, SC: 800-476-4103 • Simi Valley, CA: 800-423-0150 • Fax: 864-834-3518 • www.tsbrass.com



ITEM NO.	SALES NO.	DESCRIPTION
1	B-0198-FD05	Serrated Tip w/ Washer & 0.5 GPM Flow Disc
2	001051-45	Washer
3	007283-40	Nozzle w/ Vacuum Breaker
4	BL-5560-02	Swing Nozzle w/ Vacuum Breaker & 3/8" NPT x 5" Nipple Inlet
5	B-0968	3/8" NPT Vacuum Breaker
6	009538-45	Swivel Washer
7	011429-45	Swivel Sleeves (2)
8	001074-45	O-ring
9	054X	Swivel Body
10	000361-40	Nipple, 3/8" NPT x 5"
11	EZ-K	EasyInstall Kit
12	001065-45	O-ring
13	014200-45	Star Washer, Anti-Rotation
14	018506-19NS	Blue Button Index, Press-in
15	000925-45	Lab Handle Screw
16	B-WH4-NS	Wrist Action Handle - New Style
17	B-WH4C-NS	4" Wrist Action Handle, Blue Index & Screw
18	006477-40NS	CWS Quarter-Turn Eterna Cartridge w/ Spring Check, LTC
19	161A-NS	B-0850 Side Body - Cold
20	000958-20	Coupling Nut
21	B-0502	Double Pedal Valve Body
22	162A-NS	B-0850 Side Body - Hot
23	006478-40NS	CWS Quarter-Turn Eterna Cartridge w/ Spring Check, RTC
24	001257-40NS	Bell Escutcheon
25	B-WH4H-NS	4" Wrist Action Handle, Red Index & Screw
26	001193-19NS	Red Button Index, Press-in
27	FD05	Flow Disc, 0.5 GPM [1.9 L/min.] (Lime)

Product Specifications:

8" Concealed Widespread Mixing Faucet, Quarter-Turn Eterna Cartridges w/ Spring Checks, 4" Wrist Action Handles, Swing Nozzle w/ Vacuum Breaker, Serrated Tip w/ 0.5 GPM Flow Control, Pedal Valve Connection w/ Floor Mounted Double Pedal Valve & 1/2" NPT Male Inlets w/ Coupling Nuts

Product Compliance:

ASME A112.18.1 / CSA B125.1
NSF 61 - Section 9
NSF 372 (Low Lead Content)
ASSE 1001 (VB)
ANSI A117.1 (ADA)