



T&S BRASS AND BRONZE WORKS, INC.
 2 Saddleback Cove / P.O. Box 1088
 Travelers Rest, SC 29690

Model No.
B-0840

Item No.

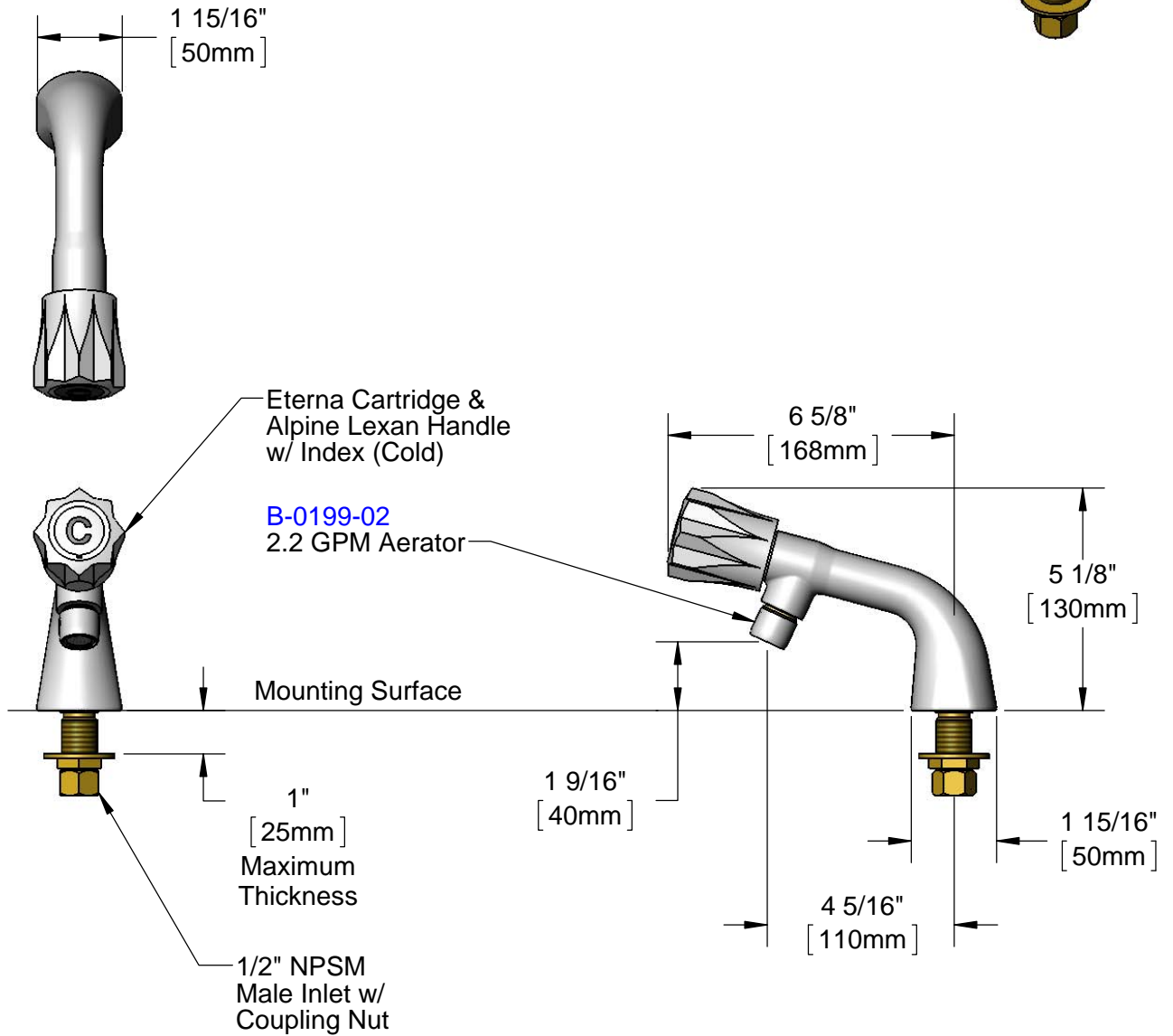
Travelers Rest, SC: 800-476-4103 • Simi Valley, CA: 800-423-0150 • Fax: 864-834-3518 • www.tsbrass.com

This Space for Architect/Engineer Approval

Job Name _____ Date _____
 Model Specified _____ Quantity _____
 Customer/Wholesaler _____
 Contractor _____
 Architect/Engineer _____



ADA Compliant



Rough-In Requirement:
 ϕ 1" [25mm] Mounting Hole

Product Specifications:
 Single Temperature Deck Mount Faucet, Eterna Cartridge,
 2.2 GPM Aerator & 1/2" NPSM Male Inlet

Drawn KJG	Checked DHL	Approved JHB
Scale: 1:4		Date: 03/18/13



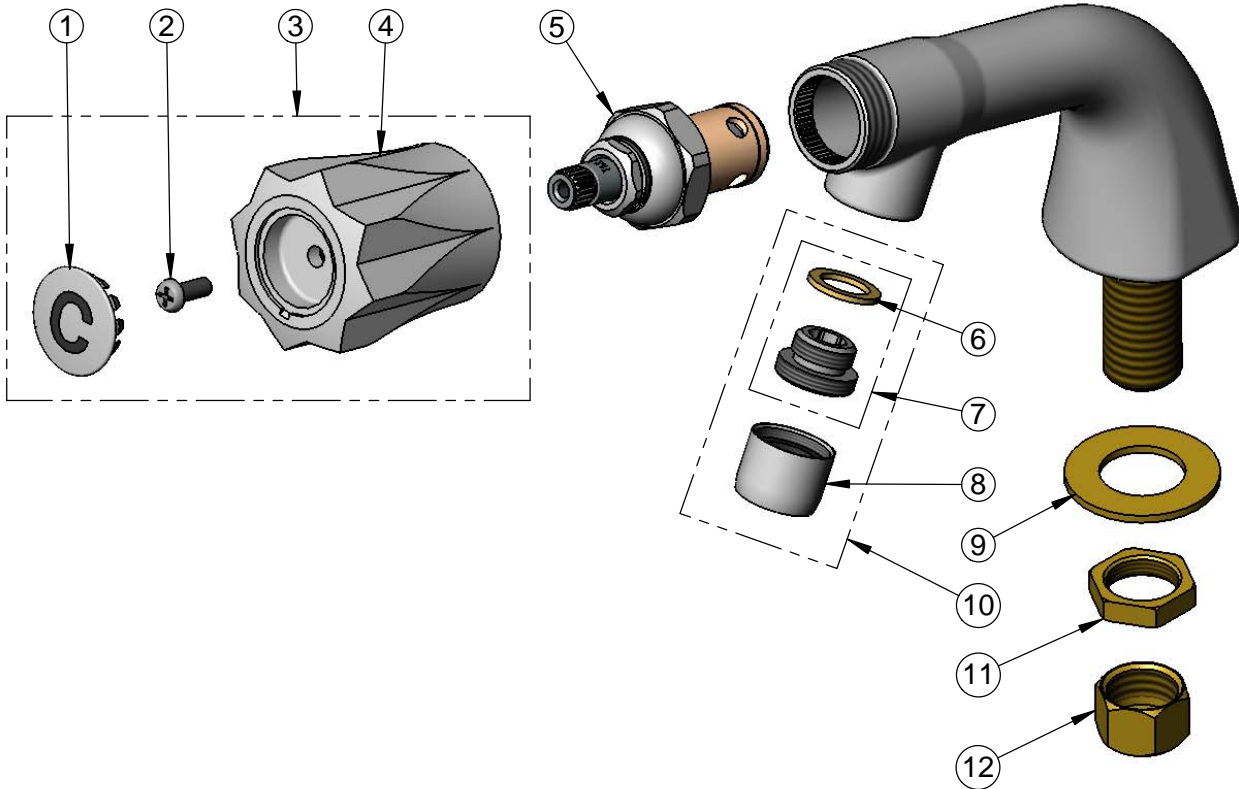
T&S BRASS AND BRONZE WORKS, INC.
 2 Saddleback Cove / P.O. Box 1088
 Travelers Rest, SC 29690

Model No.
B-0840

Item No.

Travelers Rest, SC: 800-476-4103 • Simi Valley, CA: 800-423-0150 • Fax: 864-834-3518 • www.tsbrass.com

ITEM NO.	SALES NO.	DESCRIPTION
1	001327-40	Cold Index Button
2	000925-45	Lab Handle Screw
3	076F-C	Alpine Lexan Handle w/ Screw & Cold Index
4	076F	Knob Handle
5	005960-40	Eterna Cartridge, RTC
6	001043-45	Washer
7	044A	3/8" to Aerator Adapter
8	B-0199-01	2.2 GPM Aerator, 55/64"-27UN Female
9	000999-45	Brass Lock Washer
10	B-0199-02	2.2 GPM Aerator, 3/8" NPSM Male
11	002954-45	Shank Lock Nut
12	000958-20	Coupling Nut



Product Specifications:
 Single Temperature Deck Mount Faucet, Eterna Cartridge,
 2.2 GPM Aerator & 1/2" NPSM Male Inlet

Drawn KJG	Checked DHL	Approved JHB
Scale: NTS	Date: 03/18/13	