

# T&S BRASS AND BRONZE WORKS, INC.

2 Saddleback Cove / P.O. Box 1088  
Travelers Rest, SC 29690

Model No.

**B-0837**

Item No.

Travelers Rest, SC: 800-476-4103 • Simi Valley, CA: 800-423-0150 • Fax: 864-834-3518 • www.tsbrass.com



**ADA Compliant**

This Space for Architect/Engineer Approval

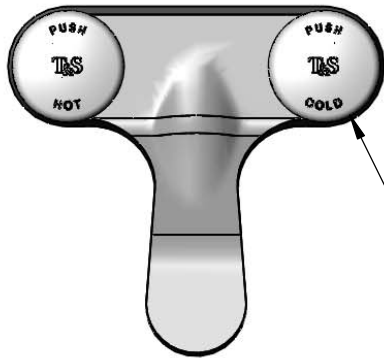
Job Name \_\_\_\_\_ Date \_\_\_\_\_

Model Specified \_\_\_\_\_ Quantity \_\_\_\_\_

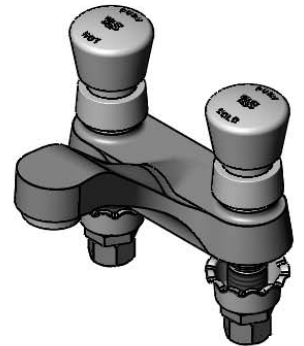
Customer/Wholesaler \_\_\_\_\_

Contractor \_\_\_\_\_

Architect/Engineer \_\_\_\_\_

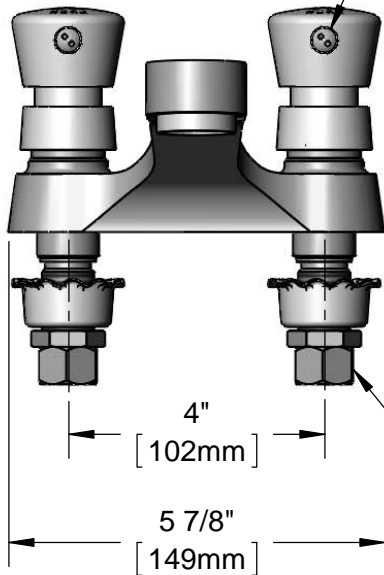


Push Button Metering Cartridges  
w/ Hot & Cold Handles &  
Vandal Resistant Screws



Vandal Resistant Screw.  
Loosen Screw (Do Not Remove)  
and Pull Off Push Button Asm to  
Access Metering Adjustment.  
(Metering Adjustment  
Requires 3/32" Hex Key)

Drip Proof  
Spray Face



Mounting  
Surface

1 9/16"  
[39mm]

3 3/4"  
[96mm]

3 1/2"  
[89mm]

3/4"  
[19mm]  
Maximum  
Thickness

1/2" NPSM  
Male Inlets w/  
Coupling Nuts

1 7/8"  
[48mm]

Rough-In Requirement:  
(2) Ø 1 1/8" [30mm] Mounting Holes

Product Specifications:  
4" Centerset Deck Mount Faucet, Push Button Metering Cartridges,  
Drip Proof Spray Face & 1/2" NPSM Male Inlets w/ Coupling Nuts

Product Compliance:  
ASME A112.18.1 / CSA B125.1  
NSF 61 - Section 9  
NSF 372 (Low Lead Content)  
ANSI A117.1 (ADA)



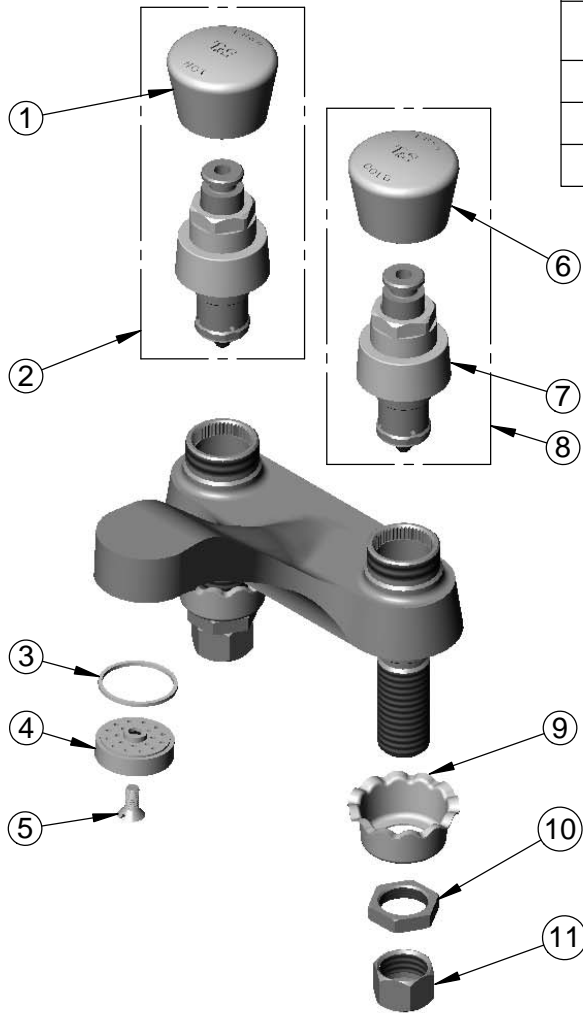
**T&S BRASS AND BRONZE WORKS, INC.**  
 2 Saddleback Cove / P.O. Box 1088  
 Travelers Rest, SC 29690

Model No.  
**B-0837**

Item No.

Travelers Rest, SC: 800-476-4103 • Simi Valley, CA: 800-423-0150 • Fax: 864-834-3518 • www.tsbrass.com

ITEM NO.	SALES NO.	DESCRIPTION
1	014194-40	Hot Push Button Cap w/ Spanner Bit
2	238AH	Metering Cartridge w/ Hot Push Button Cap & Spanner Bit
3	001018-45	Santoprene Washer
4	010574-25	Drip Proof Spray Face
5	000921-45	Flat Head Screw
6	014195-40	Cold Push Button Cap w/ Spanner Bit
7	238A	Push Button Metering Cartridge
8	238AC	Metering Cartridge w/ Cold Push Button Cap & Spanner Bit
9	001000-45	Rosette Washer
10	002954-45	Shank Lock Nut
11	000958-20	Coupling Nut



**014734-45**  
 #8 Spanner Bit

Product Specifications:  
 4" Centerset Deck Mount Faucet, Push Button Metering Cartridges,  
 Drip Proof Spray Face & 1/2" NPSM Male Inlets w/ Coupling Nuts

Product Compliance:  
 ASME A112.18.1 / CSA B125.1  
 NSF 61 - Section 9  
 NSF 372 (Low Lead Content)  
 ANSI A117.1 (ADA)