



T&S BRASS AND BRONZE WORKS, INC.
 2 Saddleback Cove / P.O. Box 1088
 Travelers Rest, SC 29690

Model No.
B-0836

Item No.

Travelers Rest, SC: 800-476-4103 • Simi Valley, CA: 800-423-0150 • Fax: 864-834-3518 • www.tsbrass.com

This Space for Architect/Engineer Approval

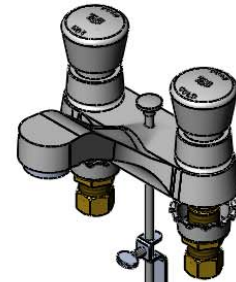
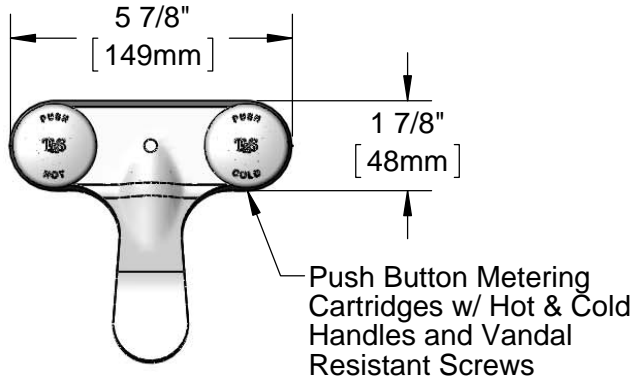
Job Name _____ Date _____

Model Specified _____ Quantity _____

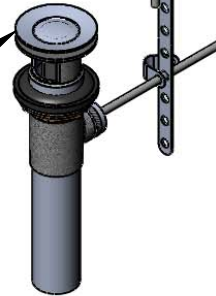
Customer/Wholesaler _____

Contractor _____

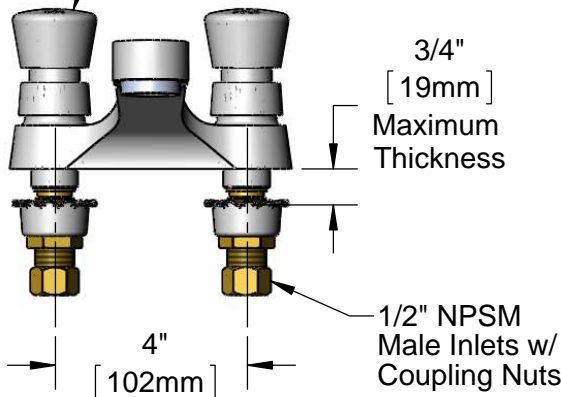
Architect/Engineer _____



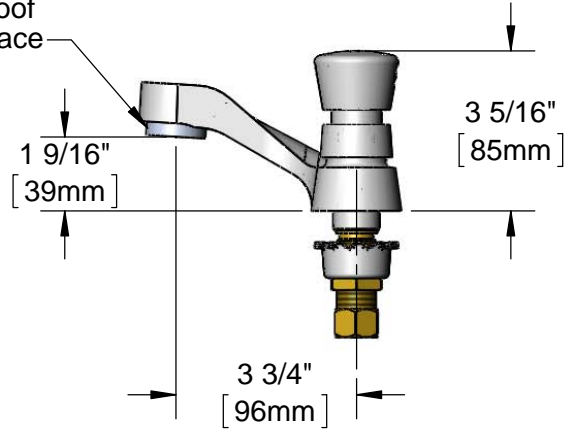
Furnished w/ Pop-Up Drain



Vandal Resistant Screw.
 Loosen Screw (Do Not Remove)
 and Pull Off Push Button Assembly
 to Access Metering Adjustment.
 (Metering Adjustment Requires
 3/32" Hex Key)



Drip Proof
 Spray Face



Rough-In Requirement:
 (2) \varnothing 1 1/8" [30mm] Mounting Holes

Product Specifications:
 4" Centerset Deck Mount Faucet, Push Button Metering Cartridges, Drip Proof Spray Face, Pop-Up Drain & 1/2" NPSM Male Inlets w/ Coupling Nuts

Product Compliance:
 ASME A112.18.1 / CSA B125.1
 NSF 61 - Section 9
 NSF 372 (Low Lead Content)
 ANSI A117.1 (ADA)



T&S BRASS AND BRONZE WORKS, INC.

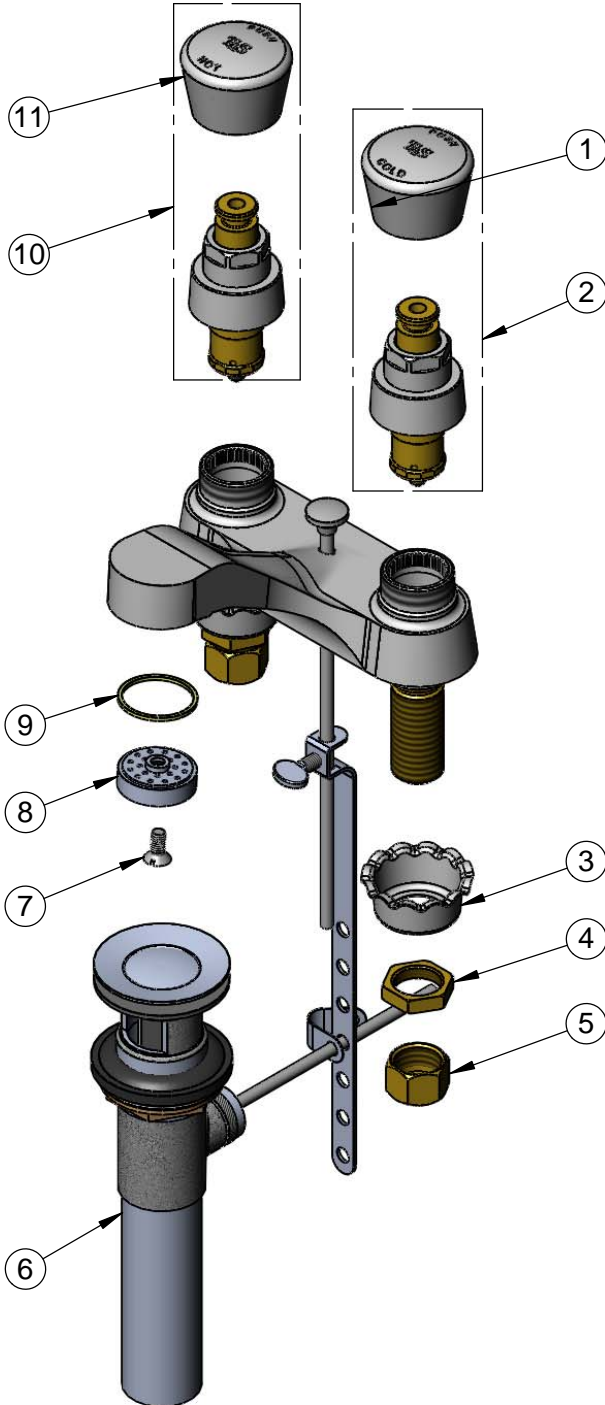
2 Saddleback Cove / P.O. Box 1088
Travelers Rest, SC 29690

Model No.

B-0836

Item No.

Travelers Rest, SC: 800-476-4103 • Simi Valley, CA: 800-423-0150 • Fax: 864-834-3518 • www.tsbrass.com



ITEM NO.	SALES NO.	DESCRIPTION
1	014195-40	Cold Push Button Cap w/ Spanner Bit
2	238AC	Metering Cartridge w/ Cold Push Button Cap & Spanner Bit
3	001000-45	Rosette Washer
4	002954-45	Shank Lock Nut
5	000958-20	Coupling Nut
6	B-0898	Pop-Up Drain
7	000921-45	Flat Head Screw
8	010574-25	Drip Proof Spray Face
9	001018-45	Santoprene Washer
10	238AH	Metering Cartridge w/ Hot Push Button Cap & Spanner Bit
11	014194-40	Hot Push Button Cap w/ Spanner Bit

Product Specifications:

4" Centerset Deck Mount Faucet, Push Button Metering Cartridges, Drip Proof Spray Face, Pop-Up Drain & 1/2" NPSM Male Inlets w/ Coupling Nuts

Product Compliance:

ASME A112.18.1 / CSA B125.1
NSF 61 - Section 9
NSF 372 (Low Lead Content)
ANSI A117.1 (ADA)