



T&S BRASS AND BRONZE WORKS, INC.

2 Saddleback Cove / P.O. Box 1088
Travelers Rest, SC 29690

Model No.

B-0834

Item No.

Travelers Rest, SC: 800-476-4103 • Simi Valley, CA: 800-423-0150 • Fax: 864-834-3518 • www.tsbrass.com



ADA Compliant

This Space for Architect/Engineer Approval

Job Name _____ Date _____

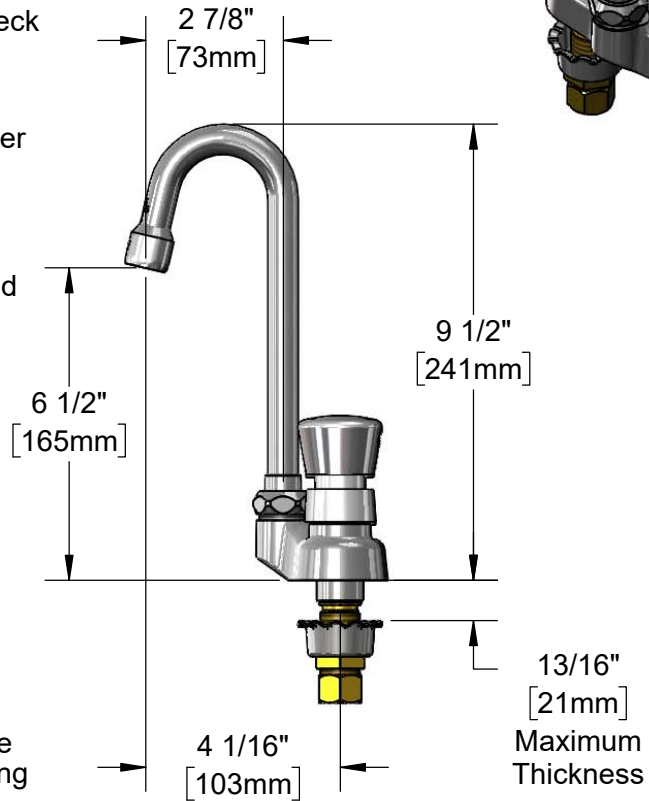
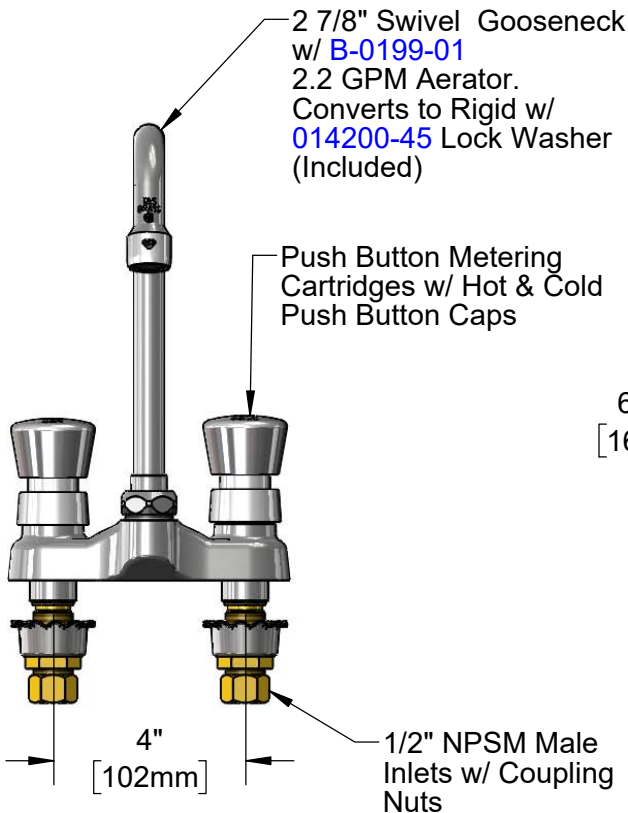
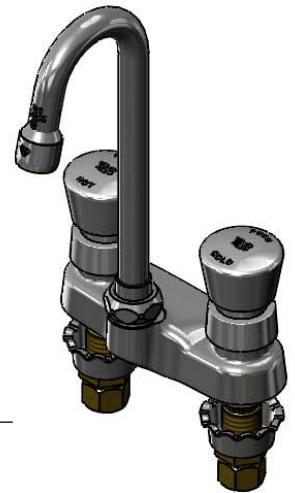
Model Specified _____ Quantity _____

Customer/Wholesaler _____

Contractor _____

Architect/Engineer _____

Furnished w/ [014734-45](#) Spanner Bit to Access Metering Adjustment (Metering Adjustment Requires 3/32" Hex Key)



Rough-in Requirement:
(2) ϕ 1-1/8" [29mm] Mounting Holes

Product Specifications:
4" Centerset Mixing Faucet w/ Push Button Metering Cartridges, 2 7/8" Swivel Gooseneck, 2.2 GPM Aerator & 1/2" NPSM Male Inlets

Product Compliance:
ASME A112.18.1 / CSA B125.1
NSF 61 - Section 9
NSF 372 (Low Lead Content)
ANSI A117.1 (ADA)



T&S BRASS AND BRONZE WORKS, INC.

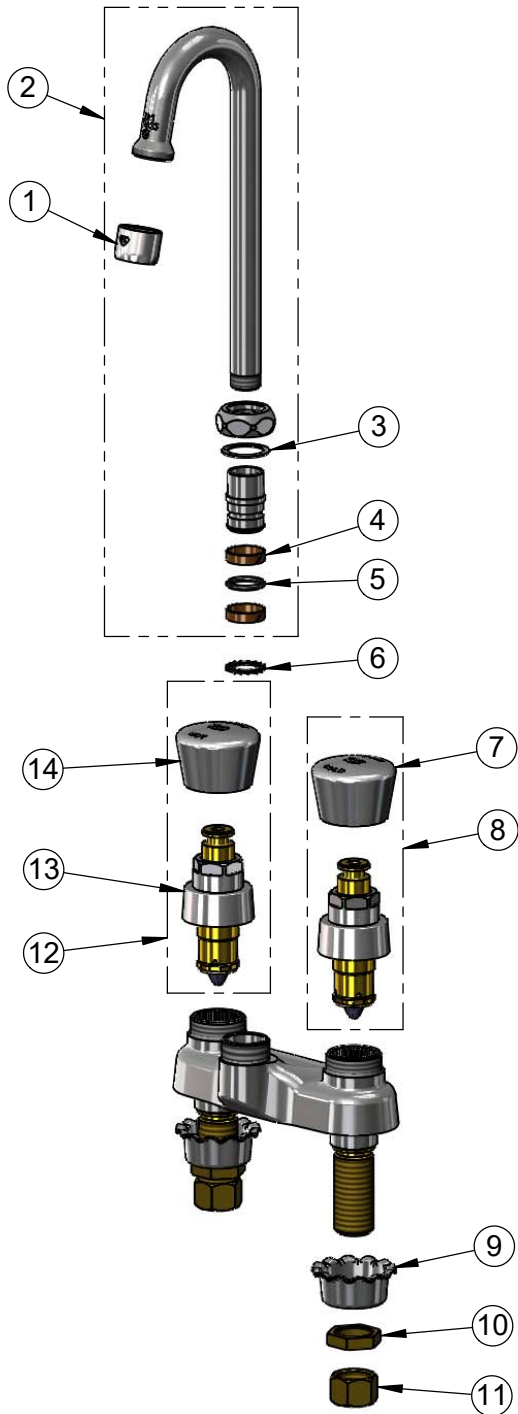
2 Saddleback Cove / P.O. Box 1088
Travelers Rest, SC 29690

Model No.

B-0834

Item No.

Travelers Rest, SC: 800-476-4103 • Simi Valley, CA: 800-423-0150 • Fax: 864-834-3518 • www.tsbrass.com



ITEM NO.	SALES NO.	DESCRIPTION
1	B-0199-01	2.2 GPM Aerator, 55/64-27 UN Female
2	132X-A22	2 7/8" Swivel Gooseneck w/ 2.2 GPM Aerator
3	009538-45	Swivel Washer
4	011429-45	Swivel Sleeves (2)
5	001074-45	O-Ring
6	014200-45	Star Washer, Anti-Rotation
7	014195-40	Cold Cap Assembly
8	238AC	Metering Cartridge w/ Cold Push Button Cap & Spanner Bit
9	001000-45	Rosette Washer
10	002954-45	Shank Lock Nut
11	000958-20	Coupling Nut
12	238AH	Metering Cartridge w/ Hot Push Button Cap & Spanner Bit
13	238A	Push Button Metering Cartridge
14	014194-40	Hot Cap Assembly
15	014734-45	Spanner Bit

Product Specifications:

4" Centerset Mixing Faucet w/ Push Button Metering Cartridges, 2 7/8" Swivel Gooseneck, 2.2 GPM Aerator & 1/2" NPSM Male Inlets

Product Compliance:

ASME A112.18.1 / CSA B125.1
NSF 61 - Section 9
NSF 372 (Low Lead Content)
ANSI A117.1 (ADA)