



T&S BRASS AND BRONZE WORKS, INC.

2 Saddleback Cove / P.O. Box 1088
Travelers Rest, SC 29690

Model No.

B-0831

Item No.

Travelers Rest, SC: 800-476-4103 • Simi Valley, CA: 800-423-0150 • Fax: 864-834-3518 • www.tsbrass.com



ADA Compliant

This Space for Architect/Engineer Approval

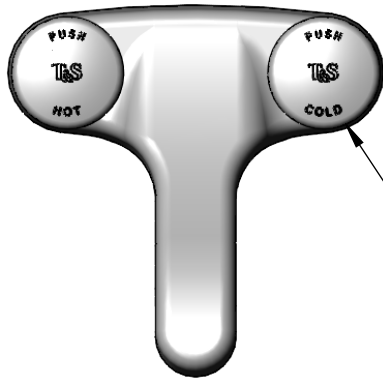
Job Name _____ Date _____

Model Specified _____ Quantity _____

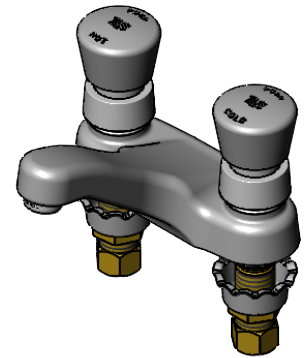
Customer/Wholesaler _____

Contractor _____

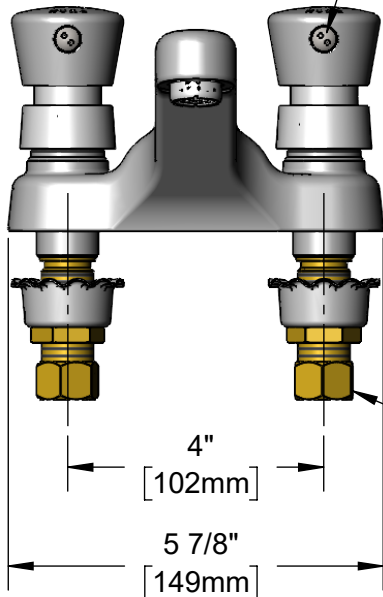
Architect/Engineer _____



Push Button Metering Cartridges w/ Hot & Cold Handles and Vandal Resistant Screws



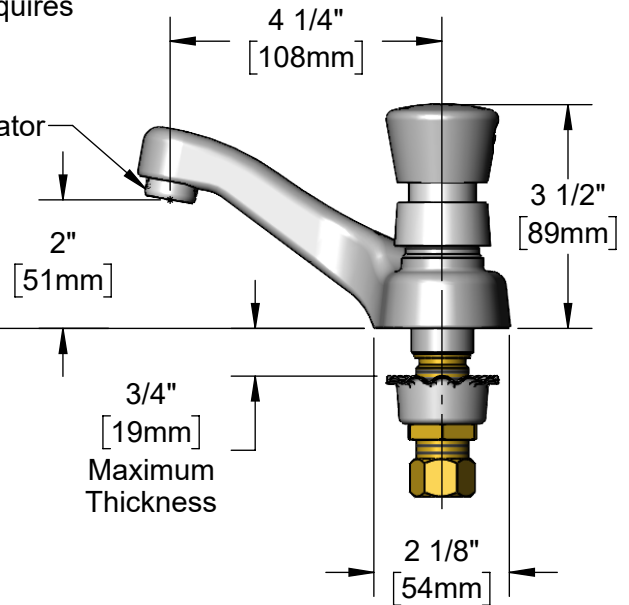
Vandal Resistant Screw. Loosen Screw (Do Not Remove) and Pull Off Push Button Assembly to Access Metering Adjustment. (Metering Adjustment Requires 3/32" Hex Key)



Mounting Surface

1/2" NPSM Male Inlets w/ Coupling Nuts

2.2 GPM Aerator



Rough-In Requirement :

Ø 1 1/8" [Ø 29mm] Mounting Holes

Product Specifications:

4" Centerset Deck Mount Faucet, Push Button Metering Cartridges, 2.2 GPM Aerator & 1/2" NPSM Male Inlets w/ Coupling Nuts

Product Compliance:

ASME A112.18.1 / CSA B125.1
NSF 61 - Section 9
NSF 372 (Low Lead Content)
ANSI A117.1 (ADA)



T&S BRASS AND BRONZE WORKS, INC.

2 Saddleback Cove / P.O. Box 1088
Travelers Rest, SC 29690

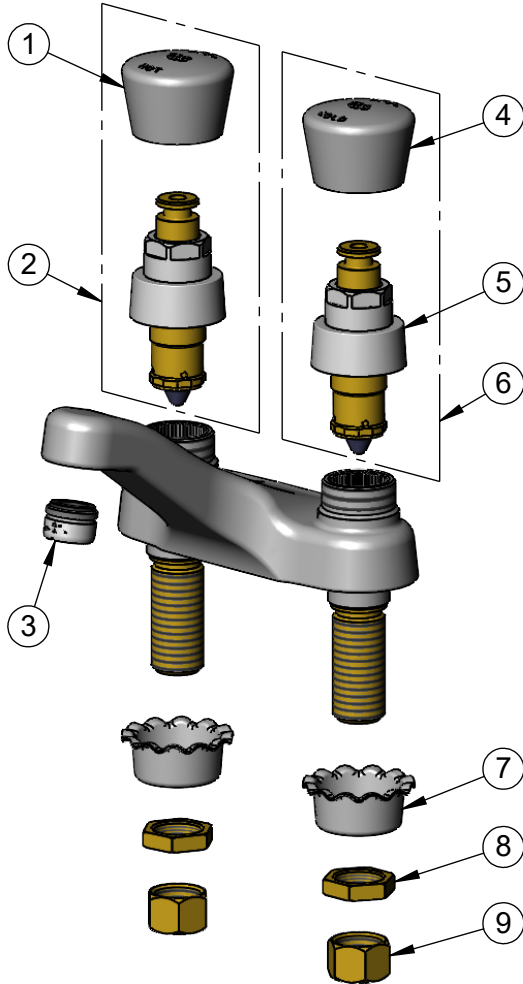
Model No.

B-0831

Item No.

Travelers Rest, SC: 800-476-4103 • Simi Valley, CA: 800-423-0150 • Fax: 864-834-3518 • www.tsbrass.com

ITEM NO.	SALES NO.	DESCRIPTION
1	014194-40	Hot Push Button Cap w/ Spanner Bit
2	238AH	Metering Cartridge w/ Hot Push Button Cap & Spanner Bit
3	B-0199-03	2.2 GPM Aerator
4	014195-40	Cold Push Button Cap w/ Spanner Bit
5	238A	Push Button Metering Cartridge
6	238AC	Metering Cartridge w/ Cold Push Button Cap & Spanner Bit
7	001000-45	Rosette Washer
8	002954-45	Shank Lock Nut
9	000958-20	Coupling Nut



014734-45
Spanner Bit

Product Specifications:

4" Centerset Deck Mount Faucet, Push Button Metering Cartridges, 2.2 GPM Aerator & 1/2" NPSM Male Inlets w/ Coupling Nuts

Product Compliance:

ASME A112.18.1 / CSA B125.1
NSF 61 - Section 9
NSF 372 (Low Lead Content)
ANSI A117.1 (ADA)