



T&S BRASS AND BRONZE WORKS, INC.

2 Saddleback Cove / P.O. Box 1088
Travelers Rest, SC 29690

Model No.

B-0831-WS

Item No.

Travelers Rest, SC: 800-476-4103 • Simi Valley, CA: 800-423-0150 • Fax: 864-834-3518 • www.tsbrass.com



ADA Compliant



This Space for Architect/Engineer Approval

Job Name _____ Date _____

Model Specified _____ Quantity _____

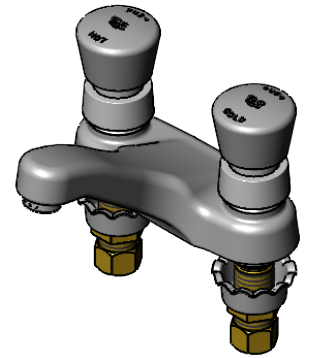
Customer/Wholesaler _____

Contractor _____

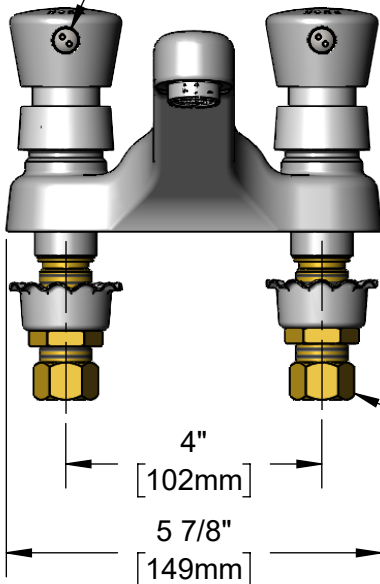
Architect/Engineer _____



Push Button Metering Cartridges
w/ Hot & Cold Handles and
Vandal Resistant Screws

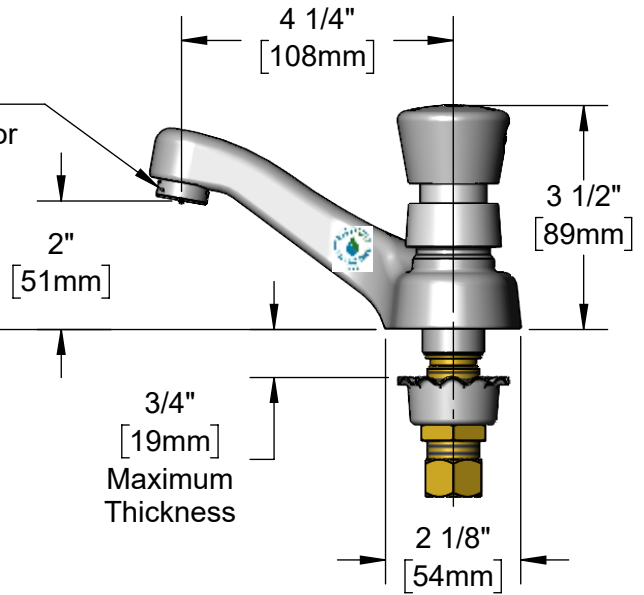


Vandal Resistant Screw.
Loosen Screw (Do Not Remove)
and Pull Off Push Button Asm to
Access Metering Adjustment.
(Metering Adjustment Requires
3/32" Hex Key)



B-0199-03-WS
1.5 GPM Aerator

Mounting
Surface



Rough-In Requirement
(2) ϕ 1 1/8" [29mm] Mounting Holes

Product Specifications:
4" Centerset Deck Mount Faucet, Push Button Metering Cartridges,
1.5 GPM Aerator & 1/2" NPSM Male Inlets w/ Couplings Nuts

Product Compliance:
ASME A112.18.1 / CSA B125.1
NSF 61 - Section 9
NSF 372 (Low Lead Content)
ANSI A117.1 (ADA)



T&S BRASS AND BRONZE WORKS, INC.

2 Saddleback Cove / P.O. Box 1088
Travelers Rest, SC 29690

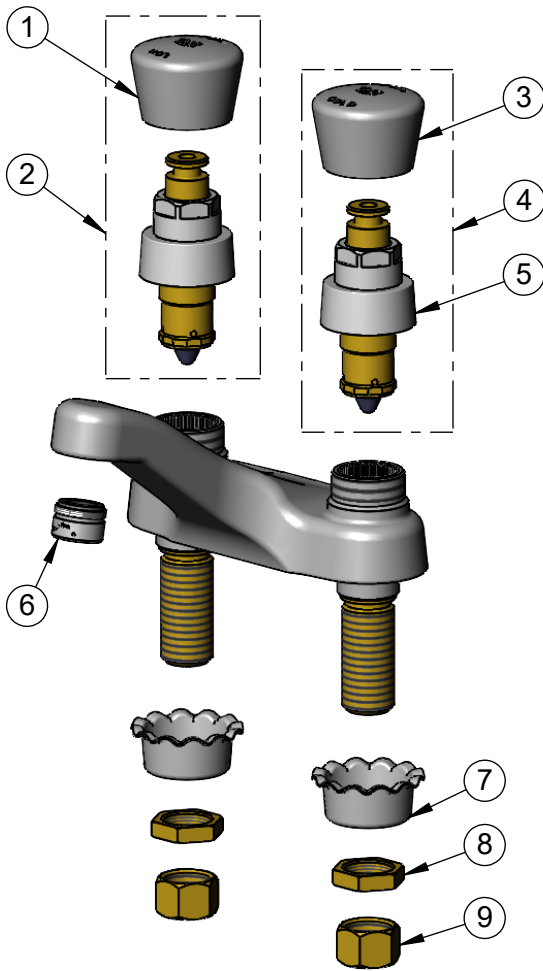
Model No.

B-0831-WS

Item No.

Travelers Rest, SC: 800-476-4103 • Simi Valley, CA: 800-423-0150 • Fax: 864-834-3518 • www.tsbrass.com

ITEM NO.	SALES NO.	DESCRIPTION
1	014194-40	Hot Push Button Cap w/ Spanner Bit
2	238AH	Metering Cartridge w/ Hot Push Button Cap & Spanner Bit
3	014195-40	Cold Push Button Cap w/ Spanner Bit
4	238AC	Metering Cartridge w/ Cold Push Button Cap & Spanner Bit
5	238A	Push Button Metering Cartridge
6	B-0199-03-WS	1.5 GPM Aerator, 13/16-27 Male
7	001000-45	Rosette Washer
8	002954-45	Shank Lock Nut
9	000958-20	Coupling Nut



014734-45
Spanner Bit

Product Specifications:

4" Centerset Deck Mount Faucet, Push Button Metering Cartridges,
1.5 GPM Aerator & 1/2" NPSM Male Inlets w/ Couplings Nuts

Product Compliance:

ASME A112.18.1 / CSA B125.1
NSF 61 - Section 9
NSF 372 (Low Lead Content)
ANSI A117.1 (ADA)