



T&S BRASS AND BRONZE WORKS, INC.
 2 Saddleback Cove / P.O. Box 1088
 Travelers Rest, SC 29690

Model No.

B-0831-VF05

Item No.

Travelers Rest, SC: 800-476-4103 • Simi Valley, CA: 800-423-0150 • Fax: 864-834-3518 • www.tsbrass.com



ADA Compliant

This Space for Architect/Engineer Approval

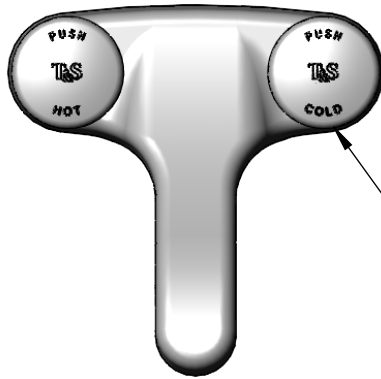
Job Name _____ Date _____

Model Specified _____ Quantity _____

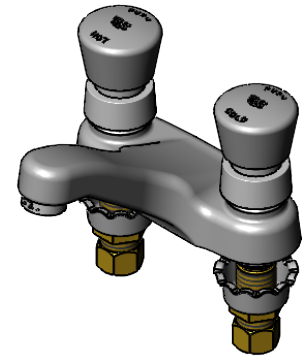
Customer/Wholesaler _____

Contractor _____

Architect/Engineer _____

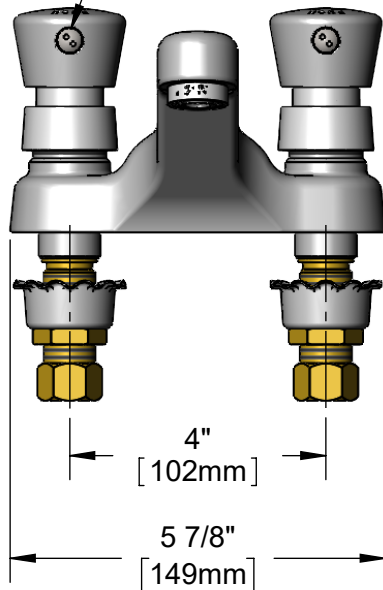


Push Button Metering Cartridges
 w/ Hot & Cold Handles and
 Vandal Resistant Screws

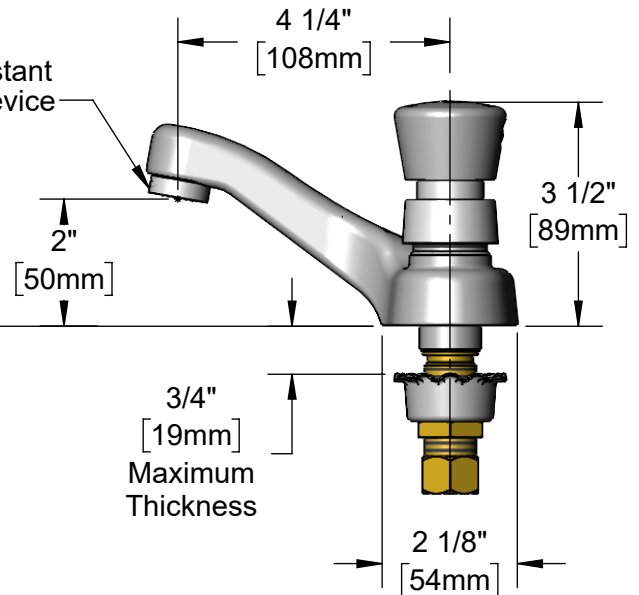


Vandal Resistant Screw.
 Loosen Screw (Do Not Remove)
 and Pull Off Push Button Asm to
 Access Metering Adjustment.
 (Metering Adjustment Requires
 3/32" Hex Key)

B-0199-08-N05
 0.5 GPM Vandal Resistant
 Non-Aerated Spray Device



Mounting
 Surface



Rough-In Requirement:
 ϕ 1 1/8" [ϕ 29mm] Mounting Holes

Product Specifications:
 4" Centerset Deck Mount Mixing Faucet w/ Push Button Metering Cartridges,
 0.5 GPM Vandal Resistant Non-Aerated Spray Device & 1/2" NPSM Male
 Inlets w/ Coupling Nuts

Product Compliance:
 ASME A112.18.1 / CSA B125.1
 NSF 61 - Section 9
 NSF 372 (Low Lead Content)
 ANSI A117.1 (ADA)



T&S BRASS AND BRONZE WORKS, INC.

2 Saddleback Cove / P.O. Box 1088
Travelers Rest, SC 29690

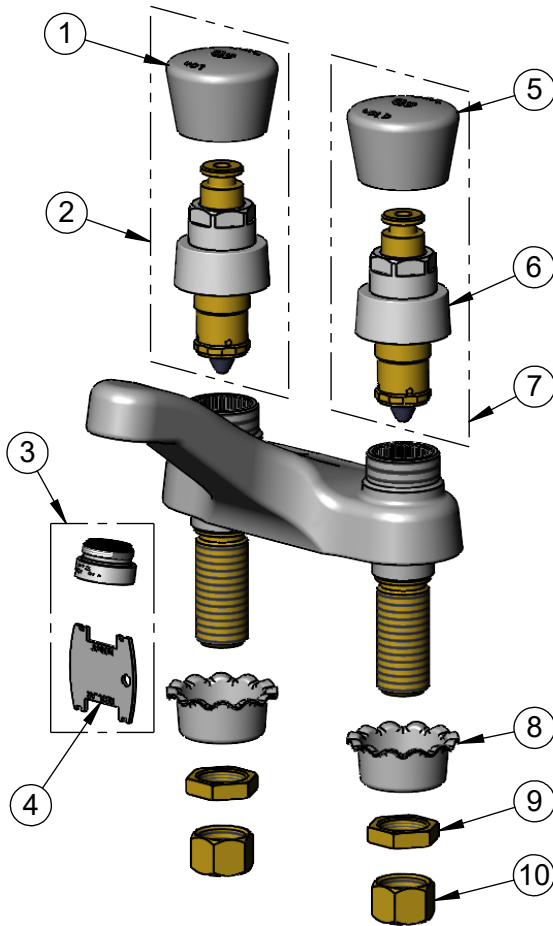
Model No.

B-0831-VF05

Item No.

Travelers Rest, SC: 800-476-4103 • Simi Valley, CA: 800-423-0150 • Fax: 864-834-3518 • www.tsbrass.com

ITEM NO.	SALES NO.	DESCRIPTION
1	014194-40	Hot Push Button Cap w/ Spanner Bit
2	238AH	Metering Cartridge w/ Hot Push Button Cap & Spanner Bit
3	B-0199-08-N05	0.5 GPM VR Spray Device, 13/16-27 Male
4	015425-45	Vandal Resistant Key
5	014195-40	Hot Push Button Cap w/ Spanner Bit
6	238A	Push Button Metering Cartridge
7	238AC	Metering Cartridge w/ Cold Push Button Cap & Spanner Bit
8	001000-45	Rosette Washer
9	002954-45	Shank Lock Nut
10	000958-20	Coupling Nut



014734-45
Spanner Bit for
Vandal Resistant Screw

Product Specifications:

4" Centerset Deck Mount Mixing Faucet w/ Push Button Metering Cartridges,
0.5 GPM Vandal Resistant Non-Aerated Spray Device & 1/2" NPSM Male
Inlets w/ Coupling Nuts

Product Compliance:

ASME A112.18.1 / CSA B125.1
NSF 61 - Section 9
NSF 372 (Low Lead Content)
ANSI A117.1 (ADA)