



T&S BRASS AND BRONZE WORKS, INC.

2 Saddleback Cove / P.O. Box 1088
Travelers Rest, SC 29690

Model No.

B-0831-PA

Item No.

Travelers Rest, SC: 800-476-4103 • Simi Valley, CA: 800-423-0150 • Fax: 864-834-3518 • www.tsbrass.com



ADA Compliant

This Space for Architect/Engineer Approval

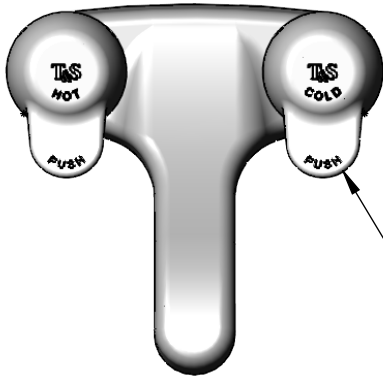
Job Name _____ Date _____

Model Specified _____ Quantity _____

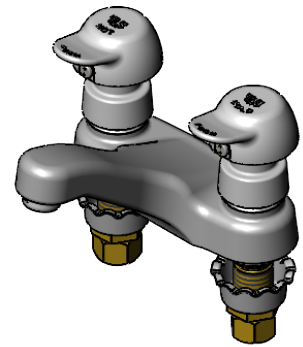
Customer/Wholesaler _____

Contractor _____

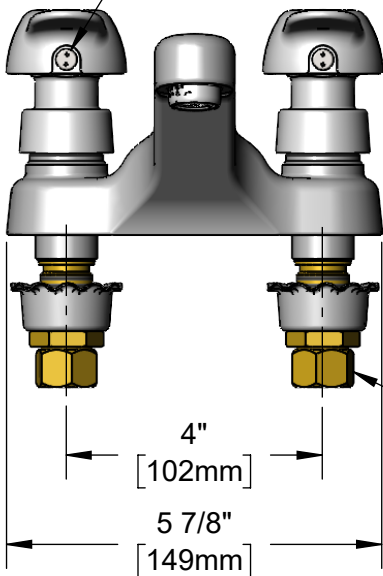
Architect/Engineer _____



Pivot Action Metering Cartridges
w/ Hot & Cold Handles and
Vandal Resistant Screws
(Spanner Bit Included)



Loosen Vandal Resistant
Screw (Do Not Remove)
and Flip Handle Up to Access
Metering Adjustment Screw
(Requires 3/32" Hex Key)



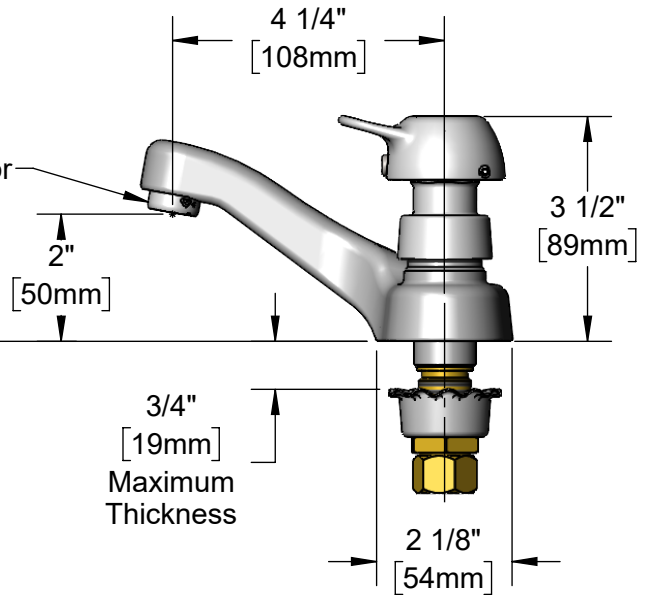
Mounting
Surface

1/2" NPSM Inlets
w/ Coupling Nuts

4"
[102mm]

5 7/8"
[149mm]

B-0199-03
2.2 GPM Aerator



3/4"
[19mm]
Maximum
Thickness

Includes Spanner Bit for
Vandal Resistant Screw

Rough-In Requirement:
(2) ϕ 1 1/8" [29mm] Mounting Holes

Product Specifications:

4" Centerset Deck Mount Mixing Faucet, Pivot Action Metering Cartridges,
2.2 GPM Aerator & 1/2" NPSM Male Inlets w/ Coupling Nuts

Product Compliance:

ASME A112.18.1 / CSA B125.1
NSF 61 - Section 9
NSF 372 (Low Lead Content)
ANSI A117.1 (ADA)



T&S BRASS AND BRONZE WORKS, INC.

2 Saddleback Cove / P.O. Box 1088
Travelers Rest, SC 29690

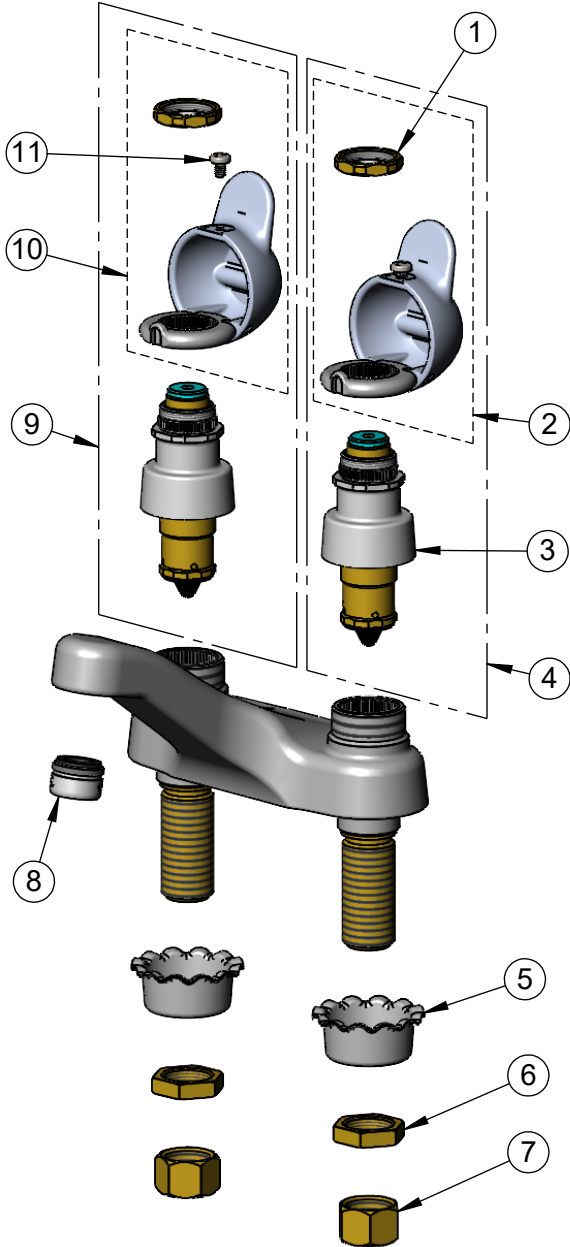
Model No.

B-0831-PA

Item No.

Travelers Rest, SC: 800-476-4103 • Simi Valley, CA: 800-423-0150 • Fax: 864-834-3518 • www.tsbrass.com

ITEM NO.	SALES NO.	DESCRIPTION
1	PA-N	Retaining Nut
2	PA-C	Cold Pivot Action Handle Asm. w/ Spanner Bit
3	238A-PA	Pivot Action Metering Cartridge w/ Retaining Nut
4	238AC-PA	Pivot Action Metering Cartridge w/ Cold PA Handle & Spanner Bit
5	001000-45	Rosette Washer
6	002954-45	Shank Lock Nut
7	000958-20	Coupling Nut
8	B-0199-03	2.2 GPM Aerator
9	238AH-PA	Pivot Action Metering Cartridge w/ Hot PA Handle & Spanner Bit
10	PA-H	Hot Pivot Action Handle Asm. w/ Spanner Bit
11	016654-45	Vandal Resistant SS Screw



014734-45
Spanner Bit

Product Specifications:

4" Centerset Deck Mount Mixing Faucet, Pivot Action Metering Cartridges, 2.2 GPM Aerator & 1/2" NPSM Male Inlets w/ Coupling Nuts

Product Compliance:

ASME A112.18.1 / CSA B125.1
NSF 61 - Section 9
NSF 372 (Low Lead Content)
ANSI A117.1 (ADA)