



T&S BRASS AND BRONZE WORKS, INC.
 2 Saddleback Cove / P.O. Box 1088
 Travelers Rest, SC 29690

Model No.
B-0831-F05

Item No.

Travelers Rest, SC: 800-476-4103 • Simi Valley, CA: 800-423-0150 • Fax: 864-834-3518 • www.tsbrass.com



ADA Compliant

This Space for Architect/Engineer Approval

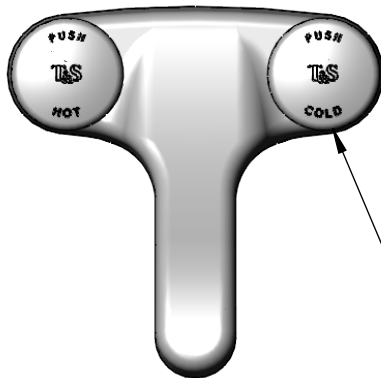
Job Name _____ Date _____

Model Specified _____ Quantity _____

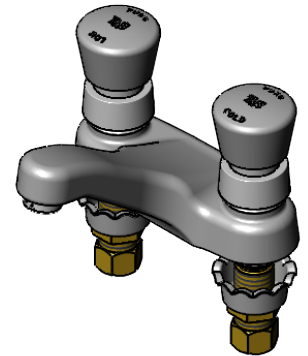
Customer/Wholesaler _____

Contractor _____

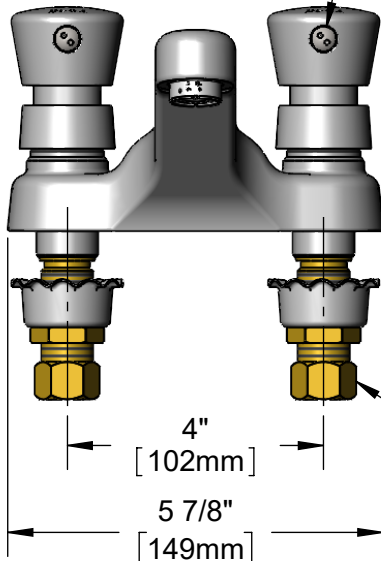
Architect/Engineer _____



Push Button
 Metering Cartridges
 w/ Hot & Cold Handles and
 Vandal Resistant Screws



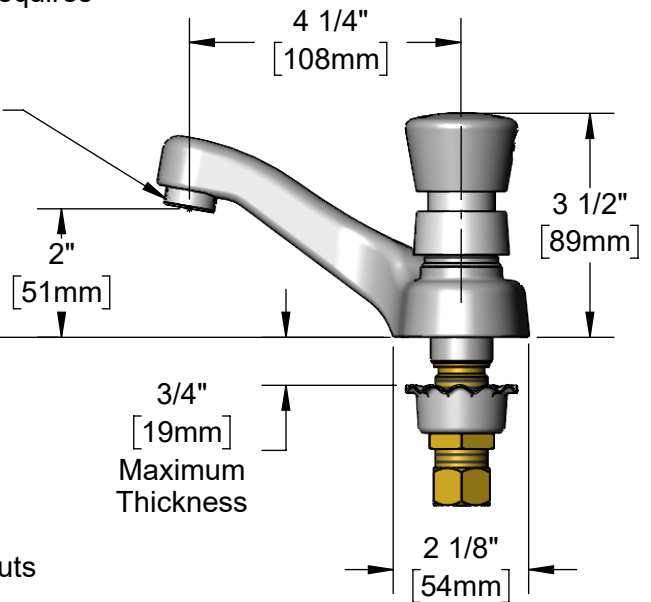
Vandal Resistant Screw.
 Loosen Screw (Do Not Remove)
 and Pull Off Push Button Asm to
 Access Metering Adjustment.
 (Metering Adjustment Requires
 3/32" Hex Key)



Mounting
 Surface

B-0199-03-N05
 0.5 GPM
 Non-Aerated
 Spray Device

1/2" NPSM Male
 Inlets w/ Coupling
 Nuts



Rough-In Requirement:
 ϕ 1 1/8" [ϕ 29mm] Mounting Holes

Spanner Bit for Vandal
 Resistant Screw Included

Product Specifications:
 4" Centerset Deck Mount Mixing Faucet, Push Button Metering Cartridges,
 0.5 GPM Non-Aerated Spray Device & 1/2" NPSM Male Inlets w/ Coupling
 Nuts

Product Compliance:
 ASME A112.18.1 / CSA B125.1
 NSF 61 - Section 9
 NSF 372 (Low Lead Content)
 ANSI A117.1 (ADA)



T&S BRASS AND BRONZE WORKS, INC.

2 Saddleback Cove / P.O. Box 1088
Travelers Rest, SC 29690

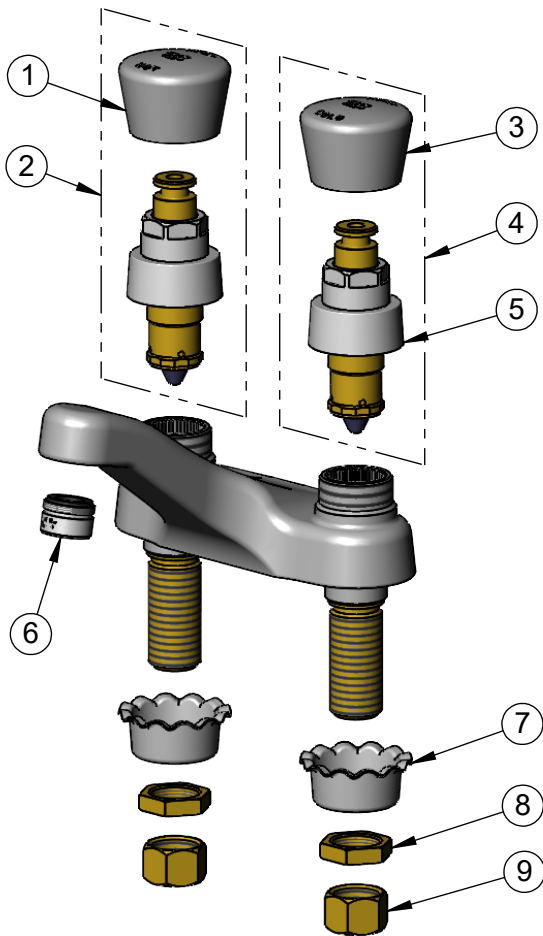
Model No.

B-0831-F05

Item No.

Travelers Rest, SC: 800-476-4103 • Simi Valley, CA: 800-423-0150 • Fax: 864-834-3518 • www.tsbrass.com

ITEM NO.	SALES NO.	DESCRIPTION
1	014194-40	Hot Push Button Cap w/ Spanner Bit
2	238AH	Metering Cartridge w/ Hot Push Button Cap & Spanner Bit
3	014195-40	Cold Push Button Cap w/ Spanner Bit
4	238AC	Metering Cartridge w/ Cold Push Button Cap & Spanner Bit
5	238A	Push Button Metering Cartridge
6	B-0199-03-N05	0.5 GPM Spray Device, 13/16-27 Male
7	001000-45	Rosette Washer
8	002954-45	Shank Lock Nut
9	000958-20	Coupling Nut



Spanner Bit for
Vandal Resistant Screw
014734-45

Product Specifications:

4" Centerset Deck Mount Mixing Faucet, Push Button Metering Cartridges, 0.5 GPM Non-Aerated Spray Device & 1/2" NPSM Male Inlets w/ Coupling Nuts

Product Compliance:

ASME A112.18.1 / CSA B125.1
NSF 61 - Section 9
NSF 372 (Low Lead Content)
ANSI A117.1 (ADA)