



T&S BRASS AND BRONZE WORKS, INC.

2 Saddleback Cove / P.O. Box 1088
Travelers Rest, SC 29690



REG. #A2601
ISO #9001

Model No.

B-0831-01

Item No.

Travelers Rest, SC: 800-476-4103 Simi Valley, CA: 800-423-0150 Fax: 864-834-3518 www.tsbrass.com

This Space for Architect/Engineer Approval

Job Name _____ Date _____

Model Specified _____ Quantity _____

Customer/Wholesaler _____

Contractor _____

Architect/Engineer _____

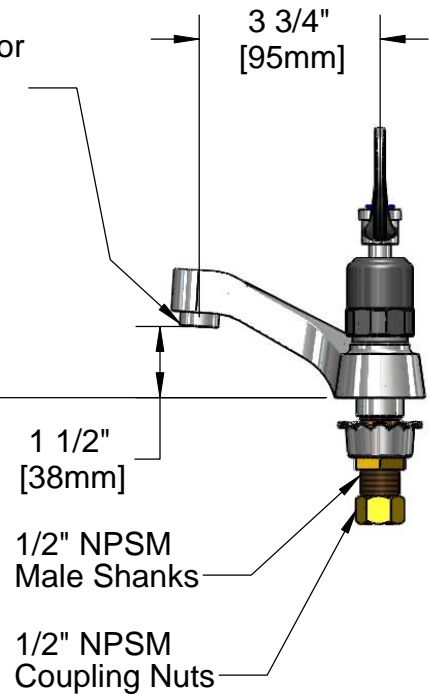
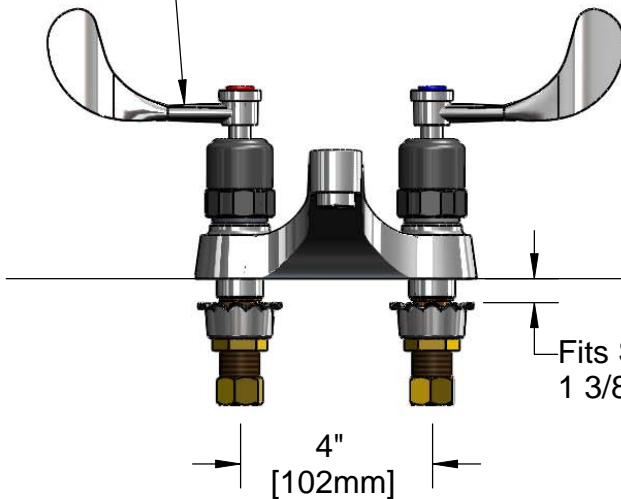


ADA Compliant



Wrist Action Metering Cartridges, & B-WH4 4" Wrist Action Handles w/ Color Coded Indexes

B-0199-03 Male Aerator 2.2 GPM



Note: Rough-In Requirements
(2) ϕ 1 1/8" [29mm] Holes

Product Specifications:

4" Centerset Metering Faucet, 1/2" NPSM Male Shanks, Wrist Action Metering Cartridges, 4" Wrist Action Handles, & 2.2 GPM Aerator

| | | |
|----------------------|-----------------------|--------------------------|
| Drawn KJG | Checked DHL | Approved JHB |
| Scale: 1:4 | | Date: 09/16/10 |



T&S BRASS AND BRONZE WORKS, INC.

2 Saddleback Cove / P.O. Box 1088
Travelers Rest, SC 29690



REG. #A2601
ISO #9001

Model No.

B-0831-01

Item No.

Travelers Rest, SC: 800-476-4103 Simi Valley, CA: 800-423-0150 Fax: 864-834-3518 www.tsbrass.com

| ITEM NO. | SALES NO. | DESCRIPTION |
|----------|-----------|---|
| 1 | B-WH4H | 4" Wrist Action Handle, Screw, & Hot Index |
| 2 | 001194-45 | Red HW Index |
| 3 | 001686-45 | Blue CW Index |
| 4 | B-WH4C | 4" Wrist Action Handle, Screw, & Cold Index |
| 5 | 000925-45 | Lab Handle Screw |
| 6 | B-WH4 | 4" Wrist Action Handle |
| 7 | 012449-40 | Wrist Action Metering Cartridge Assembly |
| 8 | 001000-45 | Rosette Washer |
| 9 | 002954-45 | Shank Lock Nut |
| 10 | 000958-20 | Coupling Nut |
| 11 | B-0199-03 | 2.2 GPM Aerator |

Product Specifications:

4" Centerset Metering Faucet, 1/2" NPSM Male Shanks,
Wrist Action Metering Cartridges, 4" Wrist Action Handles,
& 2.2 GPM Aerator

| | | |
|----------------------|-----------------------|--------------------------|
| Drawn KJG | Checked DHL | Approved JHB |
| Scale: NTS | | Date: 09/16/10 |