



# T&S BRASS AND BRONZE WORKS, INC.

2 Saddleback Cove / P.O. Box 1088  
Travelers Rest, SC 29690

Model No.

**B-0830**

Item No.

Travelers Rest, SC: 800-476-4103 • Simi Valley, CA: 800-423-0150 • Fax: 864-834-3518 • www.tsbrass.com

This Space for Architect/Engineer Approval

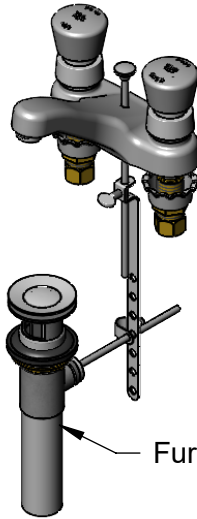
Job Name \_\_\_\_\_ Date \_\_\_\_\_

Model Specified \_\_\_\_\_ Quantity \_\_\_\_\_

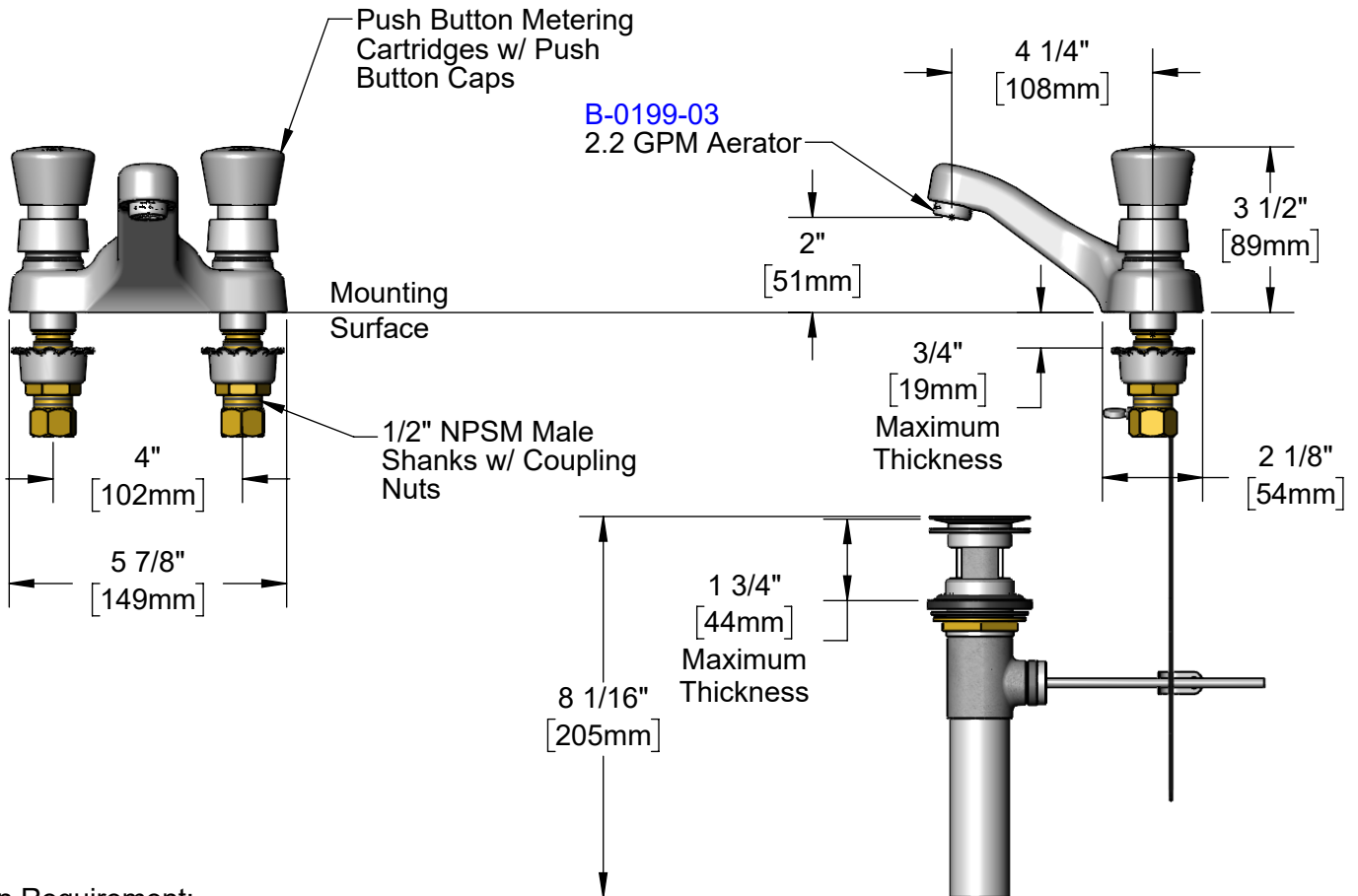
Customer/Wholesaler \_\_\_\_\_

Contractor \_\_\_\_\_

Architect/Engineer \_\_\_\_\_



Furnished w/ Pop-Up  
Drain Assembly



**Rough-In Requirement:**

Faucet: (3) 1 1/8" [29mm] Diameter Mounting Holes

Pop-Up Drain Fits Sinks with  $\phi$  1 7/16" [36mm] to  $\phi$  1 3/4" [44mm] Drain Hole

**Product Specifications:**

4" Centerset Deck Mount Faucet w/ Push Button Metering Cartridges,  
2.2 GPM Aerator, 1/2" NPSM Male Inlets w/ Coupling Nuts and Pop-Up Drain

**Product Compliance:**

ASME A112.18.1 / CSA B125.1  
NSF 61 - Section 9  
NSF 372 (Low Lead Content)



# T&S BRASS AND BRONZE WORKS, INC.

2 Saddleback Cove / P.O. Box 1088  
Travelers Rest, SC 29690

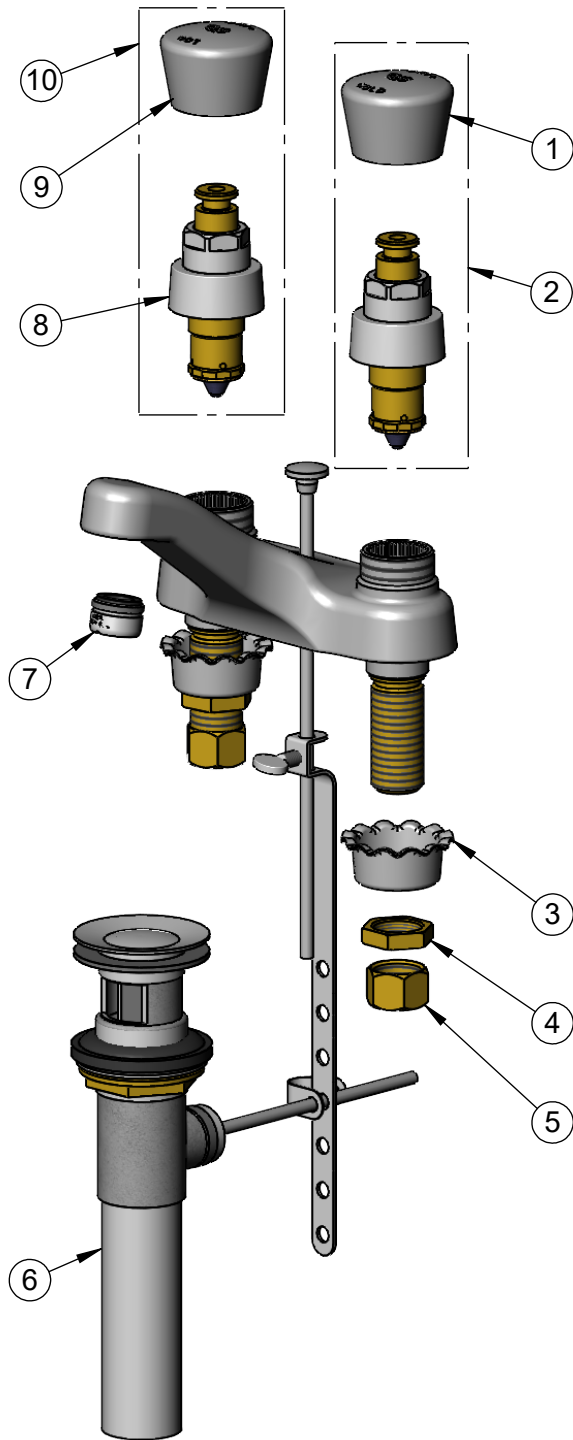
Model No.

**B-0830**

Item No.

Travelers Rest, SC: 800-476-4103 • Simi Valley, CA: 800-423-0150 • Fax: 864-834-3518 • www.tsbrass.com

ITEM NO.	SALES NO.	DESCRIPTION
1	014195-40	Cold Push Button Cap w/ Spanner Bit
2	238AC	Metering Cartridge w/ Cold Push Button Cap & Spanner Bit
3	001000-45	Rosette Washer
4	002954-45	Shank Lock Nut
5	000958-20	Coupling Nut
6	B-0898	Pop-Up
7	B-0199-03	2.2 GPM Aerator
8	238A	Push Button Metering Cartridge
9	014194-40	Hot Push Button Cap w/ Spanner Bit
10	238AH	Metering Cartridge w/ Hot Push Button Cap & Spanner Bit



**014734-45**  
Spanner Bit

Product Specifications:  
4" Centerset Deck Mount Faucet w/ Push Button Metering Cartridges,  
2.2 GPM Aerator, 1/2" NPSM Male Inlets w/ Coupling Nuts and Pop-Up Drain

Product Compliance:  
ASME A112.18.1 / CSA B125.1  
NSF 61 - Section 9  
NSF 372 (Low Lead Content)