



T&S BRASS AND BRONZE WORKS, INC.
 2 Saddleback Cove / P.O. Box 1088
 Travelers Rest, SC 29690

Model No.
B-0808

Item No.

Travelers Rest, SC: 800-476-4103 • Simi Valley, CA: 800-423-0150 • Fax: 864-834-3518 • www.tsbrass.com



ADA Compliant

This Space for Architect/Engineer Approval

Job Name _____ Date _____

Model Specified _____ Quantity _____

Customer/Wholesaler _____

Contractor _____

Architect/Engineer _____



Ø2"
 [51mm]
 Base

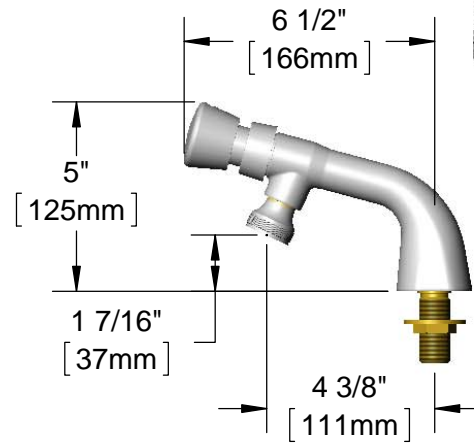


Push Button Metering Cartridge
 w/ Blank Push Button Cap

B-0103
 Rosespray
 Outlet

Mounting Surface

1 1/4"
 [32mm]
 Maximum
 Thickness



Temperature Mixing Valve
 w/ Integral Check Valves

18" Flexible Stainless Steel
 Supply Hoses

Compression Fittings
 for 5/8" O.D. Copper Tubing
 (Remove Compression Nut
 for 1/2" NPSM Male)

Rough-In Requirement:
 Ø1" [25mm] Mounting Hole

Product Specifications:

Single Temperature Deck Mount Faucet, Push Button Metering Cartridge, Rosespray Outlet, Temperature Control Mixing Valve w/ Integral Check Valves & 18" Flexible Stainless Steel Supply Hoses w/ 1/2" NPSM Male Inlets

Product Compliance:

ASME A112.18.1 / CSA B125.1
 NSF 61 - Section 9
 NSF 372 (Low Lead Content)
 ANSI A117.1 (ADA)



T&S BRASS AND BRONZE WORKS, INC.

2 Saddleback Cove / P.O. Box 1088
Travelers Rest, SC 29690

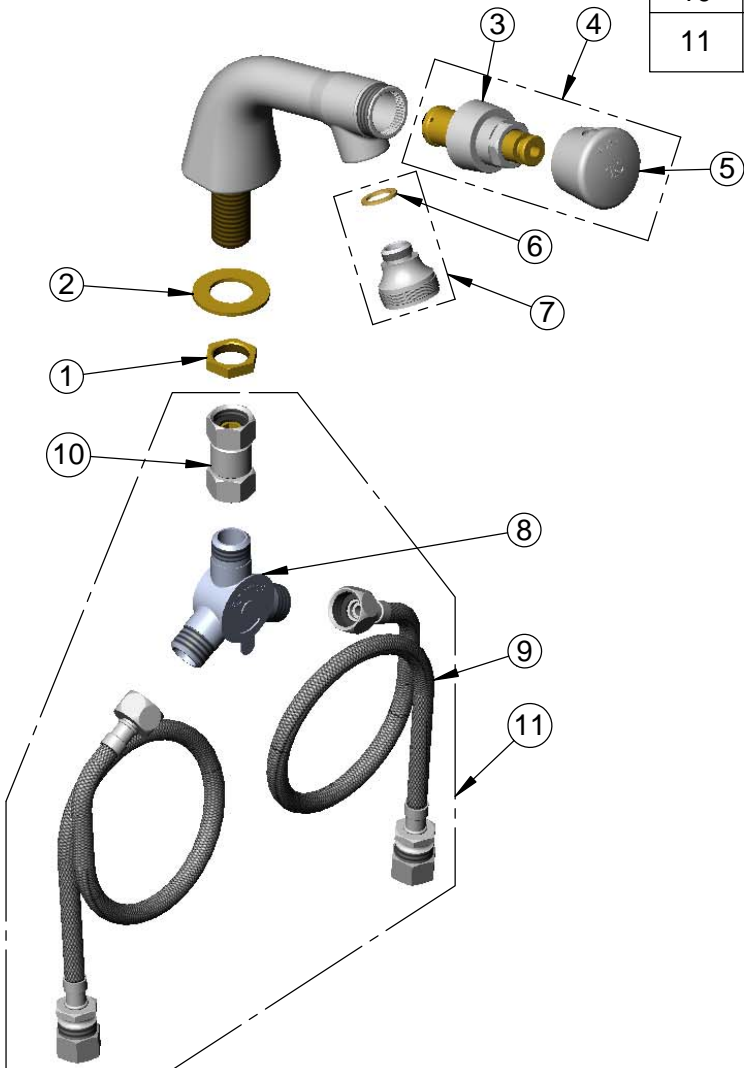
Model No.

B-0808

Item No.

Travelers Rest, SC: 800-476-4103 • Simi Valley, CA: 800-423-0150 • Fax: 864-834-3518 • www.tsbrass.com

ITEM NO.	SALES NO.	DESCRIPTION
1	000999-45	Brass Lock Washer
2	002954-45	Shank Lock Nut
3	238A	Push Button Metering Cartridge
4	238AB	Push Button Metering Cartridge w/ Push Button Cap
5	014193-40	Blank Push Cap Asm
6	001043-45	Washer
7	B-0103	Spray Head Assembly
8	5EF-0006	Mechanical Mixing Valve
9	019192-45	Flexible Connector Hose (2)
10	017506-45	1/2" NPSM Swivel Coupling
11	019321-40	Temperature Control Mixing Valve w/ Flexible 1/2" NPSM Male Inlets



014734-45
Spanner Bit for
Vandal Resistant Screw

Product Specifications:

Single Temperature Deck Mount Faucet, Push Button Metering Cartridge, Rosespray Outlet, Temperature Control Mixing Valve w/ Integral Check Valves & 18" Flexible Stainless Steel Supply Hoses w/ 1/2" NPSM Male Inlets

Product Compliance:

ASME A112.18.1 / CSA B125.1
NSF 61 - Section 9
NSF 372 (Low Lead Content)
ANSI A117.1 (ADA)