



**T&S BRASS AND BRONZE WORKS, INC.**  
 2 Saddleback Cove / P.O. Box 1088  
 Travelers Rest, SC 29690

Model No.  
**B-0807-WS**

Item No.

Travelers Rest, SC: 800-476-4103 • Simi Valley, CA: 800-423-0150 • Fax: 864-834-3518 • www.tsbrass.com



ADA Compliant

This Space for Architect/Engineer Approval

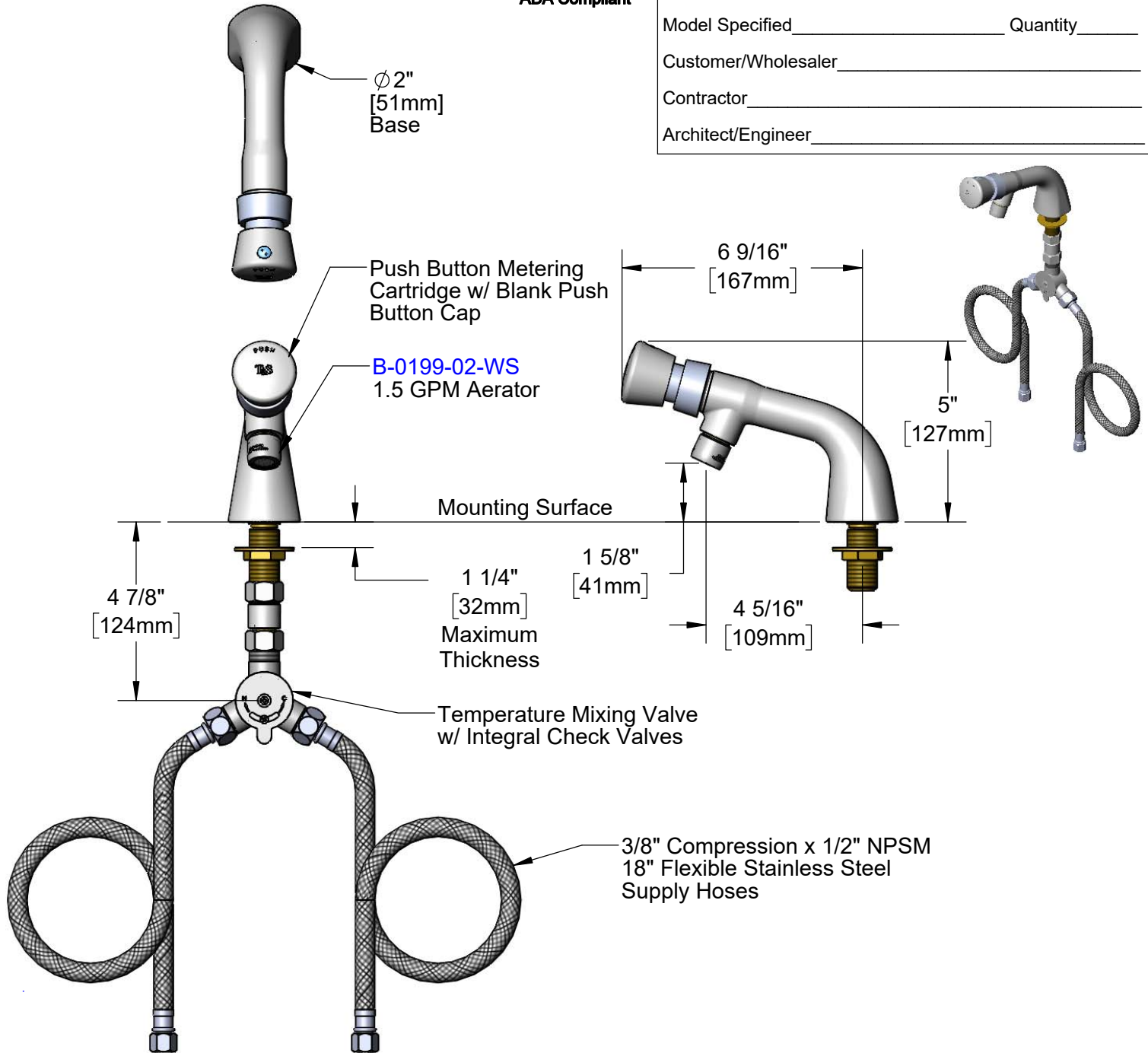
Job Name \_\_\_\_\_ Date \_\_\_\_\_

Model Specified \_\_\_\_\_ Quantity \_\_\_\_\_

Customer/Wholesaler \_\_\_\_\_

Contractor \_\_\_\_\_

Architect/Engineer \_\_\_\_\_



Rough-In Requirement:  
 Ø 1" [25mm] Mounting Hole

Product Specifications:  
 Single Hole Single Temperature Deck Mount Faucet, Push Button Metering Cartridge, Push Button Cap, 1.5 GPM Aerator, Temperature Control Mixing Valve w/ Check Valves & 18" Flexible Stainless Steel Supply Hoses w/ 3/8" Compression Female Inlets

Product Compliance:  
 ASME A112.18.1 / CSA B125.1  
 NSF 61 - Section 9  
 NSF 372 (Low Lead Content)  
 ANSI A117.1 (ADA)

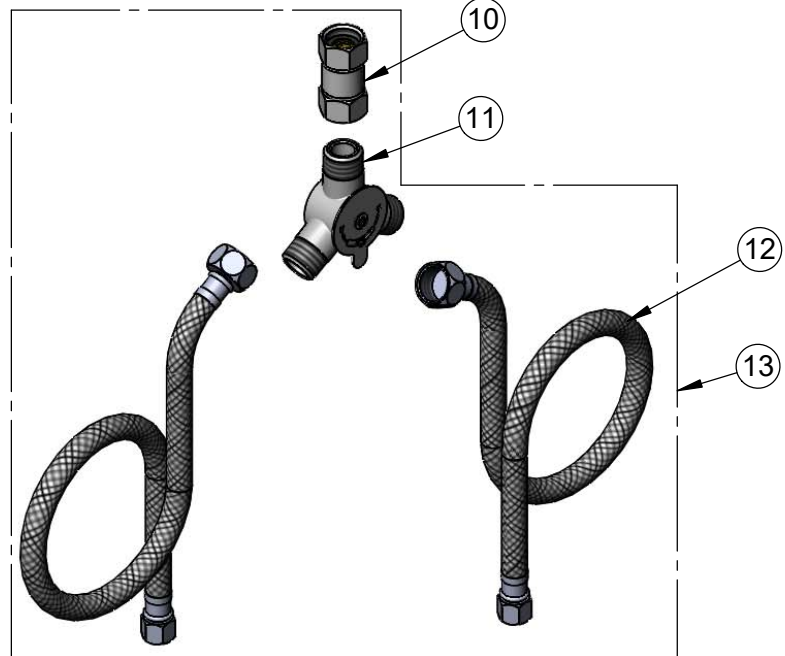
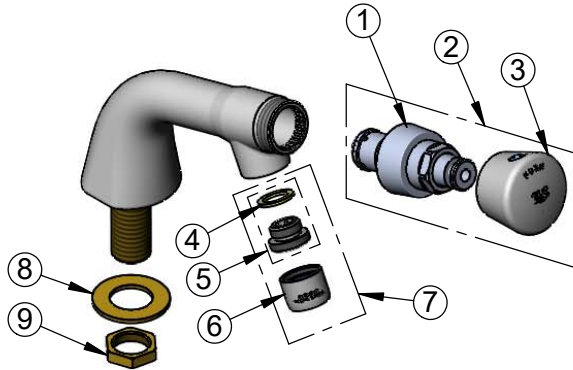


**T&S BRASS AND BRONZE WORKS, INC.**  
 2 Saddleback Cove / P.O. Box 1088  
 Travelers Rest, SC 29690

Model No.  
**B-0807-WS**

Item No.

Travelers Rest, SC: 800-476-4103 • Simi Valley, CA: 800-423-0150 • Fax: 864-834-3518 • www.tsbrass.com



ITEM NO.	SALES NO.	DESCRIPTION
1	238A	Push Button Metering Cartridge
2	238AB	Push Button Metering Cartridge w/ Push Button Cap
3	014193-40	Blank Push Cap
4	001043-45	Washer
5	044A	3/8" to Aerator Adapter
6	B-0199-01-WS	1.5 GPM Aerator, 55/64-27 Female
7	B-0199-02-WS	1.5 GPM Aerator, 3/8" NPSM Male
8	000999-45	Brass Lock Washer
9	002954-45	Shank Lock Nut
10	017506-45	1/2" NPSM Swivel Coupling
11	5EF-0006	Mechanical, Mixing Valve
12	5EF-0005	Supply Hose, 9/16-24 Female x 1/2" NPSM
13	019806-40	Temperature Control Mixing Valve w/ Flexible 3/8" Compression Female Inlets



**014734-45**  
 Spanner Bit

Product Specifications:  
 Single Hole Single Temperature Deck Mount Faucet, Push Button Metering Cartridge, Push Button Cap, 1.5 GPM Aerator, Temperature Control Mixing Valve w/ Check Valves & 18" Flexible Stainless Steel Supply Hoses w/ 3/8" Compression Female Inlets

Product Compliance:  
 ASME A112.18.1 / CSA B125.1  
 NSF 61 - Section 9  
 NSF 372 (Low Lead Content)  
 ANSI A117.1 (ADA)