



T&S BRASS AND BRONZE WORKS, INC.
 2 Saddleback Cove / P.O. Box 1088
 Travelers Rest, SC 29690

Model No.

B-0806-PA

Item No.

Travelers Rest, SC: 800-476-4103 • Simi Valley, CA: 800-423-0150 • Fax: 864-834-3518 • www.tsbrass.com



ADA Compliant

This Space for Architect/Engineer Approval

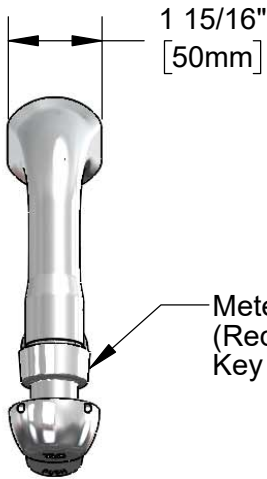
Job Name _____ Date _____

Model Specified _____ Quantity _____

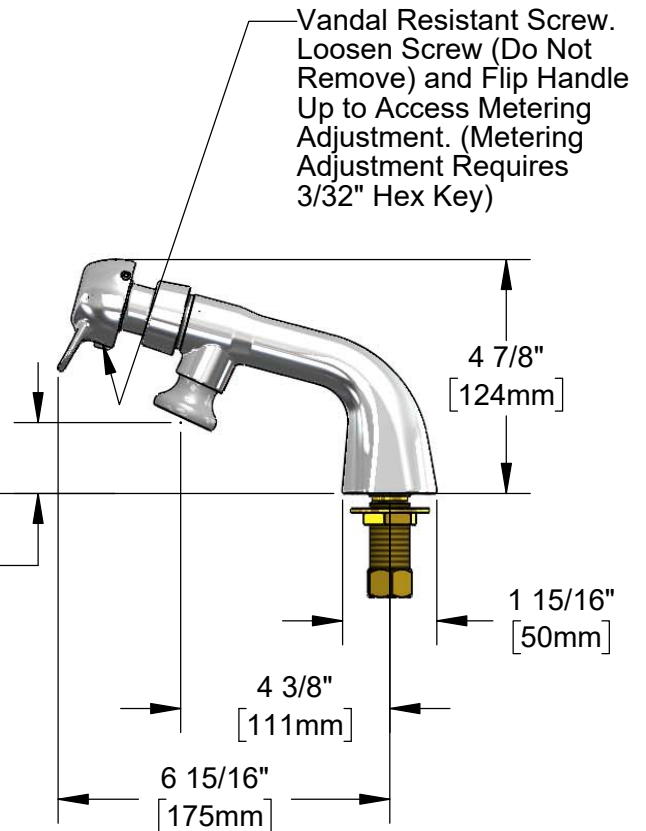
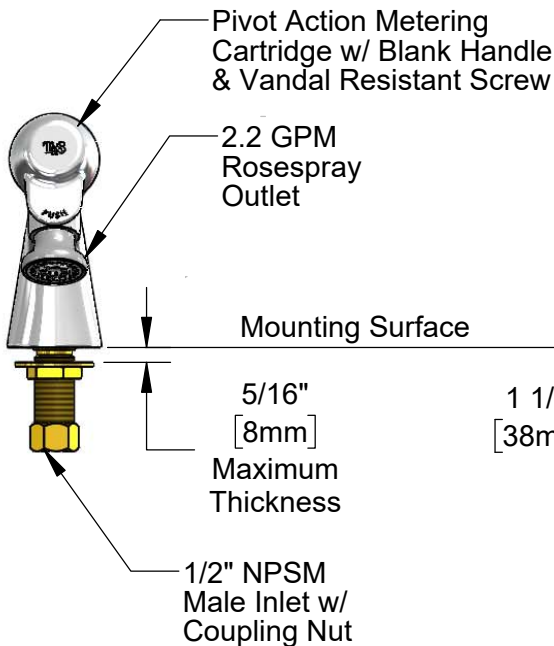
Customer/Wholesaler _____

Contractor _____

Architect/Engineer _____



Metering Cartridge
(Requires 3/32" Hex
Key for Adjustment)



Rough-In Requirement:
 ϕ 1" [25mm] Mounting Hole

Product Specifications:
 Single Hole Single Temperature Deck Mount Faucet, Pivot Action Metering
 Cartridge, 2.2 GPM Rosespray Outlet & 1/2" NPSM Male Inlet

Product Compliance:
 ASME A112.18.1 / CSA B125.1
 NSF 61 - Section 9
 NSF 372 (Low Lead Content)
 ANSI A117.1 (ADA)



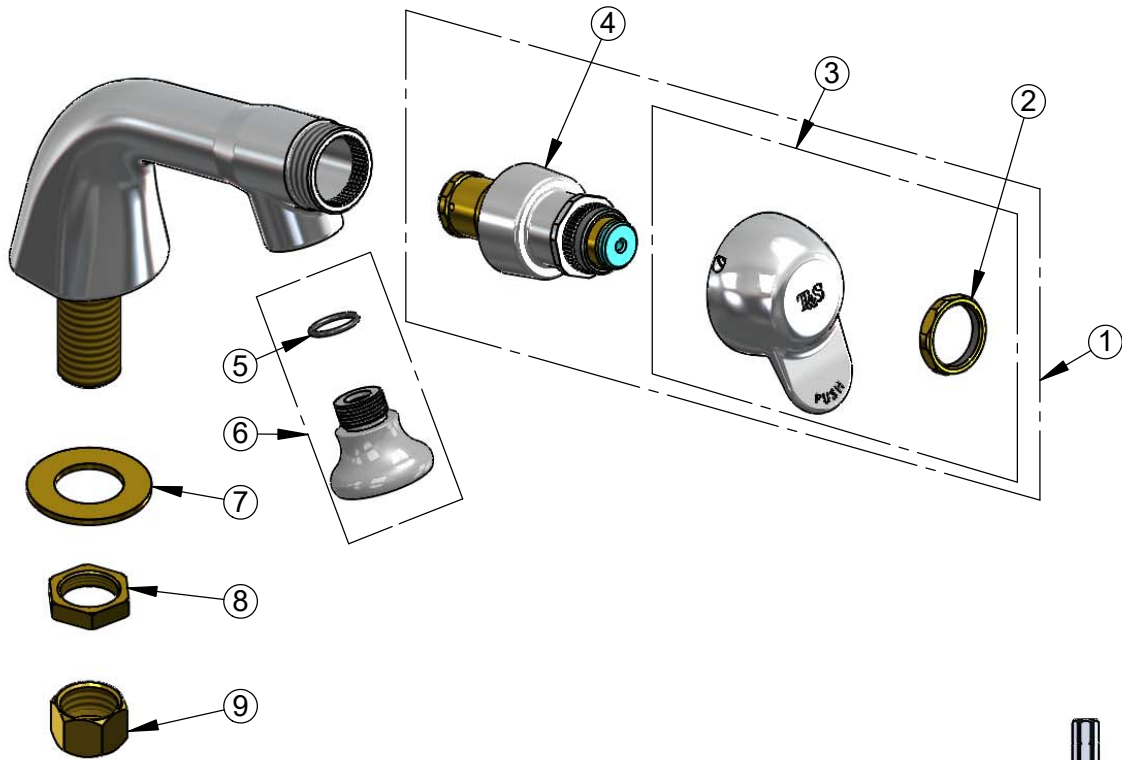
T&S BRASS AND BRONZE WORKS, INC.
 2 Saddleback Cove / P.O. Box 1088
 Travelers Rest, SC 29690

Model No.
B-0806-PA

Item No.

Travelers Rest, SC: 800-476-4103 • Simi Valley, CA: 800-423-0150 • Fax: 864-834-3518 • www.tsbrass.com

ITEM NO.	SALES NO.	DESCRIPTION
1	238AB-PA	Pivot Action Metering Cartridge w/ Blank Pivot Action Handle, Retainin Nut and Spanner Bit
2	PA-N	Retaining Nut
3	PA-B	Blank Pivot Action Handle Assembly w/ Retaining Nut
4	238A	Metering Cartridge
5	006562-45	O-Ring
6	B-0103	2.2 GPM Rosespray Outlet
7	000999-45	Brass Lock Washer
8	002954-45	Shank Lock Nut
9	000958-20	Coupling Nut



014734-45
 Spanner Bit

Product Specifications:
 Single Hole Single Temperature Deck Mount Faucet, Pivot Action Metering Cartridge, 2.2 GPM Rosespray Outlet & 1/2" NPSM Male Inlet

Product Compliance:
 ASME A112.18.1 / CSA B125.1
 NSF 61 - Section 9
 NSF 372 (Low Lead Content)
 ANSI A117.1 (ADA)