



T&S BRASS AND BRONZE WORKS, INC.

2 Saddleback Cove / P.O. Box 1088
Travelers Rest, SC 29690

Model No.

B-0805

Item No.

Travelers Rest, SC: 800-476-4103 • Simi Valley, CA: 800-423-0150 • Fax: 864-834-3518 • www.tsbrass.com



ADA Compliant

This Space for Architect/Engineer Approval

Job Name _____ Date _____

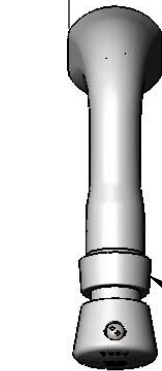
Model Specified _____ Quantity _____

Customer/Wholesaler _____

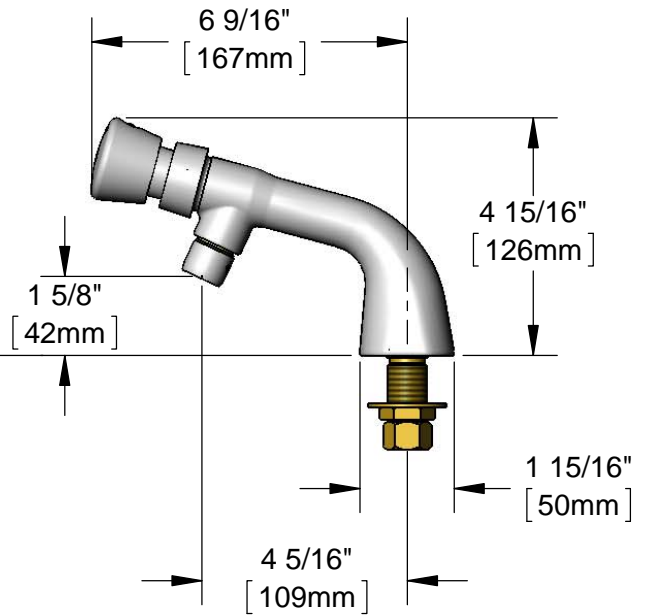
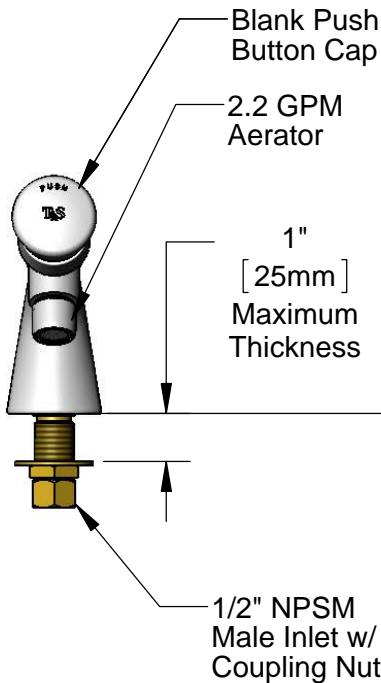
Contractor _____

Architect/Engineer _____

1 15/16"
[50mm]



Metering Cartridge
(Requires 3/32" Hex
Key for Adjustment)



Rough-In Requirement:
Ø 1" [25mm] Mounting Hole

Product Specifications:

Single Hole, Single Temperature Deck Mount Faucet, Push Button Metering Cartridge, 2.2 GPM Aerator & 1/2" NPSM Male Inlet

Product Compliance:

ASME A112.18.1 / CSA B125.1
NSF 61 - Section 9
NSF 372 (Low Lead Content)
ANSI A117.1 (ADA)



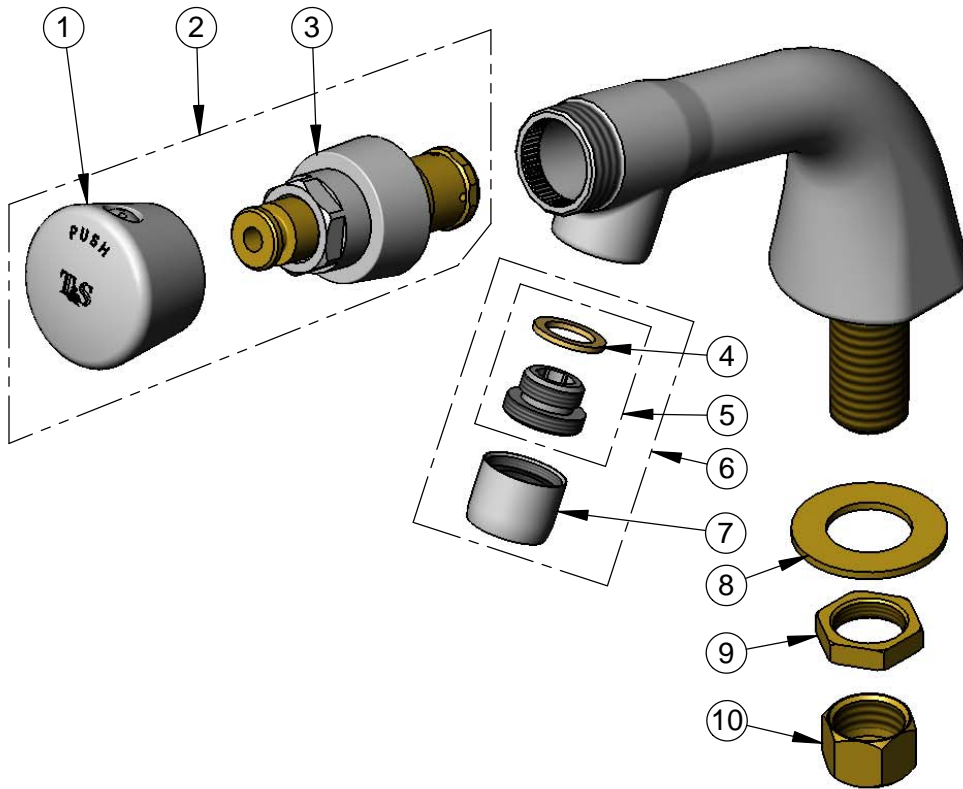
T&S BRASS AND BRONZE WORKS, INC.
 2 Saddleback Cove / P.O. Box 1088
 Travelers Rest, SC 29690

Model No.
B-0805

Item No.

Travelers Rest, SC: 800-476-4103 • Simi Valley, CA: 800-423-0150 • Fax: 864-834-3518 • www.tsbrass.com

ITEM NO.	SALES NO.	DESCRIPTION
1	014193-40	Blank Push Button Cap w/ Spanner Bit
2	238AB	Metering Cartridge w/ Blank Push Button Cap & Spanner Bit
3	238A	Push Button Metering Cartridge
4	001043-45	Washer
5	044A	3/8" to Aerator Adapter
6	B-0199-02	2.2 GPM Aerator, 3/8" NPSM Male
7	B-0199-01	2.2 GPM Aerator, 55/64-27 UN Female
8	000999-45	Brass Lock Washer
9	002954-45	Shank Lock Nut
10	000958-20	Coupling Nut



014734-45
 #8 Spanner Bit

Product Specifications:

Single Hole, Single Temperature Deck Mount Faucet, Push Button Metering Cartridge, 2.2 GPM Aerator & 1/2" NPSM Male Inlet

Product Compliance:

ASME A112.18.1 / CSA B125.1
 NSF 61 - Section 9
 NSF 372 (Low Lead Content)
 ANSI A117.1 (ADA)