



# T&S BRASS AND BRONZE WORKS, INC.

2 Saddleback Cove / P.O. Box 1088  
Travelers Rest, SC 29690

Model No.

**B-0750**

Item No.

Travelers Rest, SC: 800-476-4103 • Simi Valley, CA: 800-423-0150 • Fax: 864-834-3518 • www.tsbrass.com



**ADA Compliant**

This Space for Architect/Engineer Approval

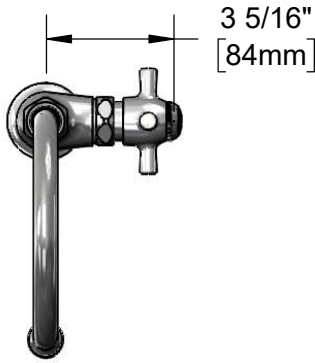
Job Name \_\_\_\_\_ Date \_\_\_\_\_

Model Specified \_\_\_\_\_ Quantity \_\_\_\_\_

Customer/Wholesaler \_\_\_\_\_

Contractor \_\_\_\_\_

Architect/Engineer \_\_\_\_\_



3 5/16"  
[84mm]

**133X**  
6" Swivel Gooseneck w/  
Stream Regulator Outlet  
Converts to Rigid w/  
**014200-45** Lock Washer  
(Included)

Fast Self-Closing  
Handle w/  
Color Coded Index

Swivel Joint

Mounting Surface

1 5/8"  
[41mm]

2 5/8"  
[67mm]

Ø 2" [51mm]  
Base w/  
1/2" NPSM  
Male Inlet

13 15/16"  
[355mm]

9 9/16"  
[242mm]

5 3/4"  
[145mm]

1 5/8"  
[41mm]  
Maximum  
Thickness

**150A**  
Optional Tailpiece  
and Nut for 1/4" NPT  
Connection (Included)

Rough-In Requirement:  
Ø 1" [25mm] Mounting Hole

Product Specifications:  
Single Hole Single Temperature Deck Mount Faucet, Fast Self-Closing  
Cartridge, 6" Swivel/Rigid Gooseneck & 1/2" NPSM Inlet

Product Compliance:  
ASME A112.18.1 / CSA B125.1  
NSF 61 - Section 9  
NSF 372 (Low Lead Content)  
ANSI A117.1 (ADA)



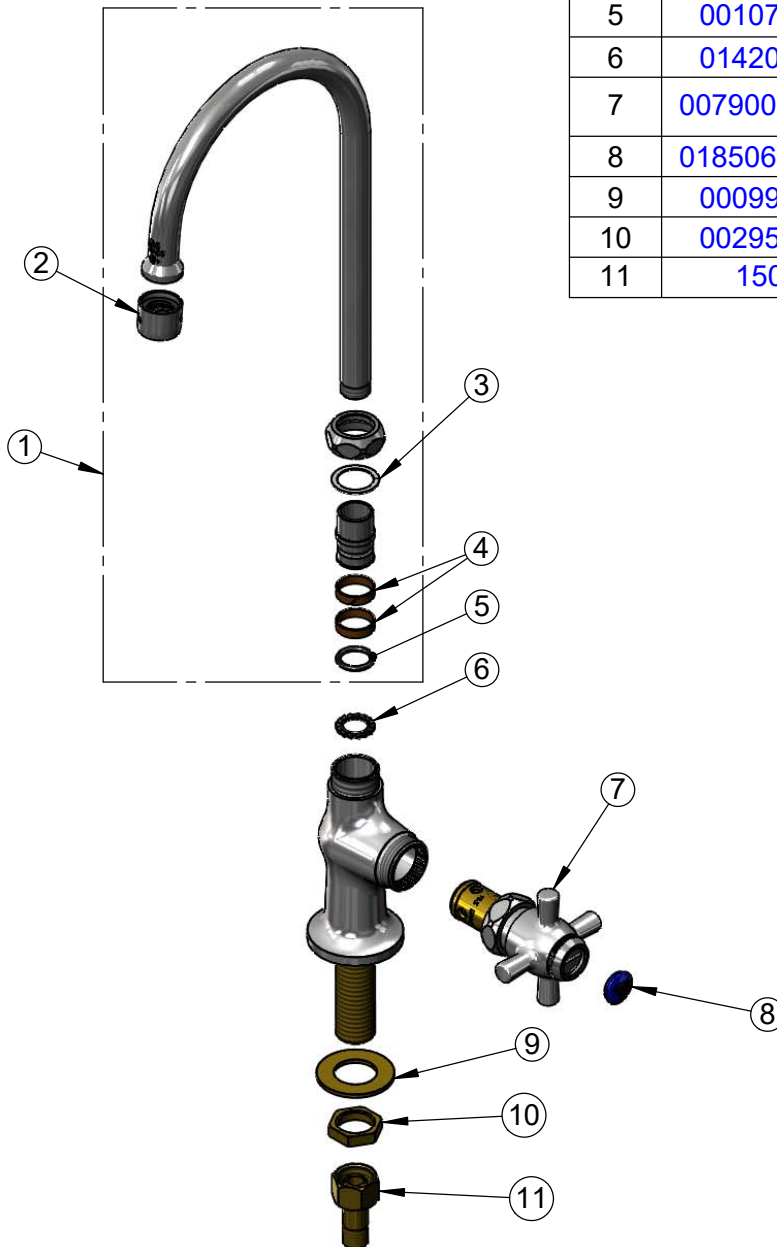
**T&S BRASS AND BRONZE WORKS, INC.**  
 2 Saddleback Cove / P.O. Box 1088  
 Travelers Rest, SC 29690

Model No.  
**B-0750**

Item No.

Travelers Rest, SC: 800-476-4103 • Simi Valley, CA: 800-423-0150 • Fax: 864-834-3518 • www.tsbrass.com

ITEM NO.	SALES NO.	DESCRIPTION
1	133X	6" Swivel Gooseneck
2	B-PT	Stream Regulator Outlet
3	009538-45	Swivel Washer
4	011429-45	Swivel Sleeves (2)
5	001074-45	O-Ring
6	014200-45	Star Washer, Anti-Rotation
7	007900-40NS	Fast Self-Closing Cartridge, 4-Arm Handle w/ Blue Index
8	018506-19NS	Blue Button Index, Press-in
9	000999-45	Brass Lock Washer
10	002954-45	Shank Lock Nut
11	150A	1/2" NPT Female Eccentric Flange



Product Specifications:  
 Single Hole Single Temperature Deck Mount Faucet, Fast Self-Closing Cartridge, 6" Swivel/Rigid Gooseneck & 1/2" NPSM Inlet

Product Compliance:  
 ASME A112.18.1 / CSA B125.1  
 NSF 61 - Section 9  
 NSF 372 (Low Lead Content)  
 ANSI A117.1 (ADA)