



T&S BRASS AND BRONZE WORKS, INC.
 2 Saddleback Cove / P.O. Box 1088
 Travelers Rest, SC 29690

Model No.
B-0731

Item No.

Travelers Rest, SC: 800-476-4103 • Simi Valley, CA: 800-423-0150 • Fax: 864-834-3518 • www.tsbrass.com

This Space for Architect/Engineer Approval

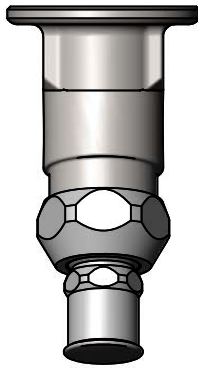
Job Name _____ Date _____

Model Specified _____ Quantity _____

Customer/Wholesaler _____

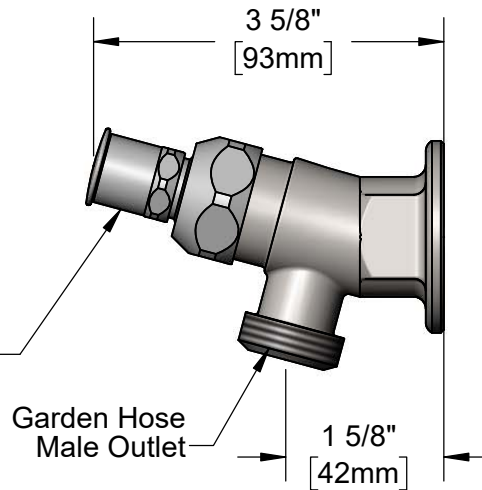
Contractor _____

Architect/Engineer _____



Ø2" [51mm]
 Flange w/
 3/4" NPT
 Female Inlet

Loose Key
 Stop Eterna
 Cartridge w/
 Spring Check



Product Specifications:
 Single Hole, Single Temperature, Wall Mount Sill Faucet, Loose Key Stop Eterna Cartridge w/ Spring Check, Garden Hose Male Outlet, Rough Chrome Finish & 3/4" NPT Female Inlet

Product Compliance:
 ASME A112.18.1 / CSA B125.1
 NSF 61 - Section 9
 NSF 372 (Low Lead Content)



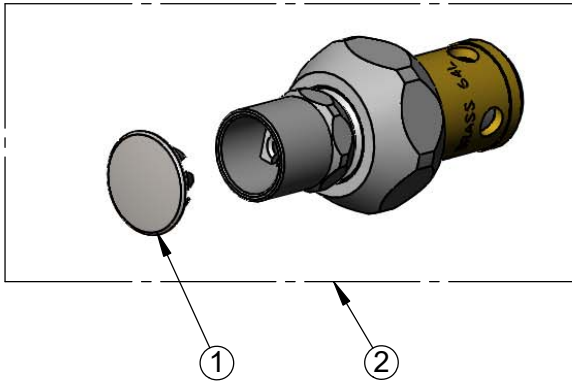
T&S BRASS AND BRONZE WORKS, INC.
 2 Saddleback Cove / P.O. Box 1088
 Travelers Rest, SC 29690

Model No.
B-0731

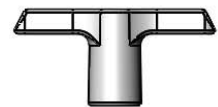
Item No.

Travelers Rest, SC: 800-476-4103 • Simi Valley, CA: 800-423-0150 • Fax: 864-834-3518 • www.tsbrass.com

ITEM NO.	SALES NO.	DESCRIPTION
1	001605-45	Cap
2	124A-NS	Loose Key Stop Eterna Cartridge, RTC w/ T-Handle, Screw and Cap



002432-45
 T-Handle Screw



001802-45
 T-Handle

Product Specifications:
 Single Hole, Single Temperature, Wall Mount Sill Faucet, Loose Key Stop Eterna Cartridge w/ Spring Check, Garden Hose Male Outlet, Rough Chrome Finish & 3/4" NPT Female Inlet

Product Compliance:
 ASME A112.18.1 / CSA B125.1
 NSF 61 - Section 9
 NSF 372 (Low Lead Content)