



T&S BRASS AND BRONZE WORKS, INC.
 2 Saddleback Cove / P.O. Box 1088
 Travelers Rest, SC 29690

Model No.
B-0730

Item No.

Travelers Rest, SC: 800-476-4103 • Simi Valley, CA: 800-423-0150 • Fax: 864-834-3518 • www.tsbrass.com

This Space for Architect/Engineer Approval

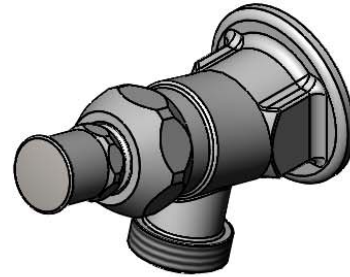
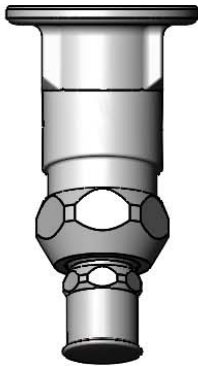
Job Name _____ Date _____

Model Specified _____ Quantity _____

Customer/Wholesaler _____

Contractor _____

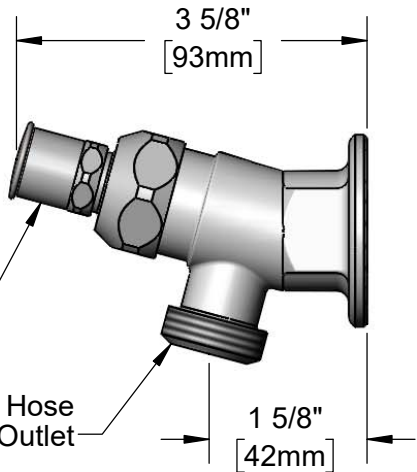
Architect/Engineer _____



Ø2" [51mm]
 Flange w/
 1/2" NPT
 Female Inlet

Loose Key
 Stop Eterna
 Cartridge w/
 Spring Check

Garden Hose
 Male Outlet



Product Specifications:

Single Hole, Single Temperature, Wall Mount Sill Faucet, Loose Key Stop Eterna Cartridge w/ Spring Check, Garden Hose Male Outlet & 1/2" NPT Female Inlet

Product Compliance:

ASME A112.18.1 / CSA B125.1
 NSF 61 - Section 9
 NSF 372 (Low Lead Content)



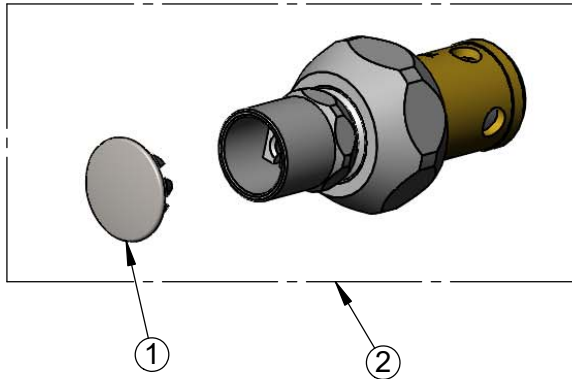
T&S BRASS AND BRONZE WORKS, INC.
 2 Saddleback Cove / P.O. Box 1088
 Travelers Rest, SC 29690

Model No.
B-0730

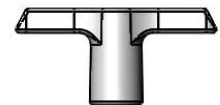
Item No.

Travelers Rest, SC: 800-476-4103 • Simi Valley, CA: 800-423-0150 • Fax: 864-834-3518 • www.tsbrass.com

ITEM NO.	SALES NO.	DESCRIPTION
1	001605-45	Cap
2	124A-NS	Loose Key Stop Eterna Cartridge, RTC w/ T-Handle, Screw & Cap



002432-45
T-Handle Screw



001802-45
T-Handle

Product Specifications:

Single Hole, Single Temperature, Wall Mount Sill Faucet, Loose Key Stop Eterna Cartridge w/ Spring Check, Garden Hose Male Outlet & 1/2" NPT Female Inlet

Product Compliance:

ASME A112.18.1 / CSA B125.1
 NSF 61 - Section 9
 NSF 372 (Low Lead Content)