



# T&S BRASS AND BRONZE WORKS, INC.

2 Saddleback Cove / P.O. Box 1088  
Travelers Rest, SC 29690

Model No.

**B-0719**

Item No.

Travelers Rest, SC: 800-476-4103 • Simi Valley, CA: 800-423-0150 • Fax: 864-834-3518 • www.tsbrass.com



**ADA Compliant**

This Space for Architect/Engineer Approval

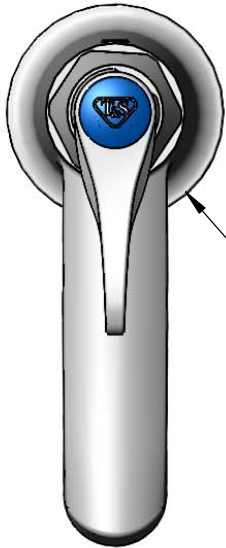
Job Name \_\_\_\_\_ Date \_\_\_\_\_

Model Specified \_\_\_\_\_ Quantity \_\_\_\_\_

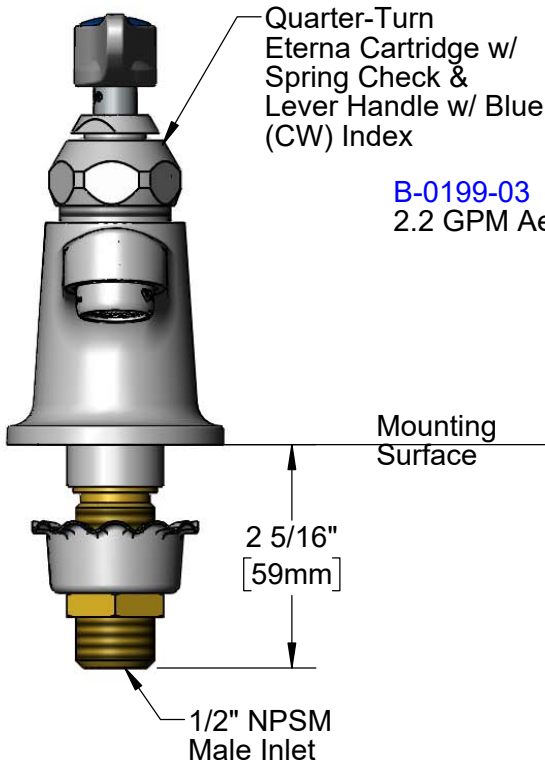
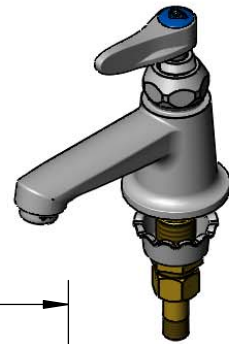
Customer/Wholesaler \_\_\_\_\_

Contractor \_\_\_\_\_

Architect/Engineer \_\_\_\_\_



Ø 2 3/16"  
[56mm]  
Base



Quarter-Turn  
Eterna Cartridge w/  
Spring Check &  
Lever Handle w/ Blue  
(CW) Index

**B-0199-03**  
2.2 GPM Aerator

1 5/16"  
[34mm]

Mounting  
Surface

2 5/16"  
[59mm]

1/2" NPSM  
Male Inlet

**150A**  
Optional Tailpiece & Nut  
For 1/4" NPT Connection  
(Included)

4 1/16"  
[103mm]

4 1/2"  
[114mm]

13/16"  
[20mm]  
Maximum  
Thickness

Rough-In Requirement:  
Ø 1 1/8" [29mm] Mounting Hole

Product Specifications:  
Single Hole Single Temperature Deck Mount Basin Faucet,  
Quarter-Turn Eterna Cartridge w/ Spring Check, Lever Handle  
2.2 GPM Aerator & 1/2" NPSM Male Inlet

Product Compliance:  
ASME A112.18.1 / CSA B125.1  
NSF 61 - Section 9  
NSF 372 (Low Lead Content)  
ANSI A117.1 (ADA)



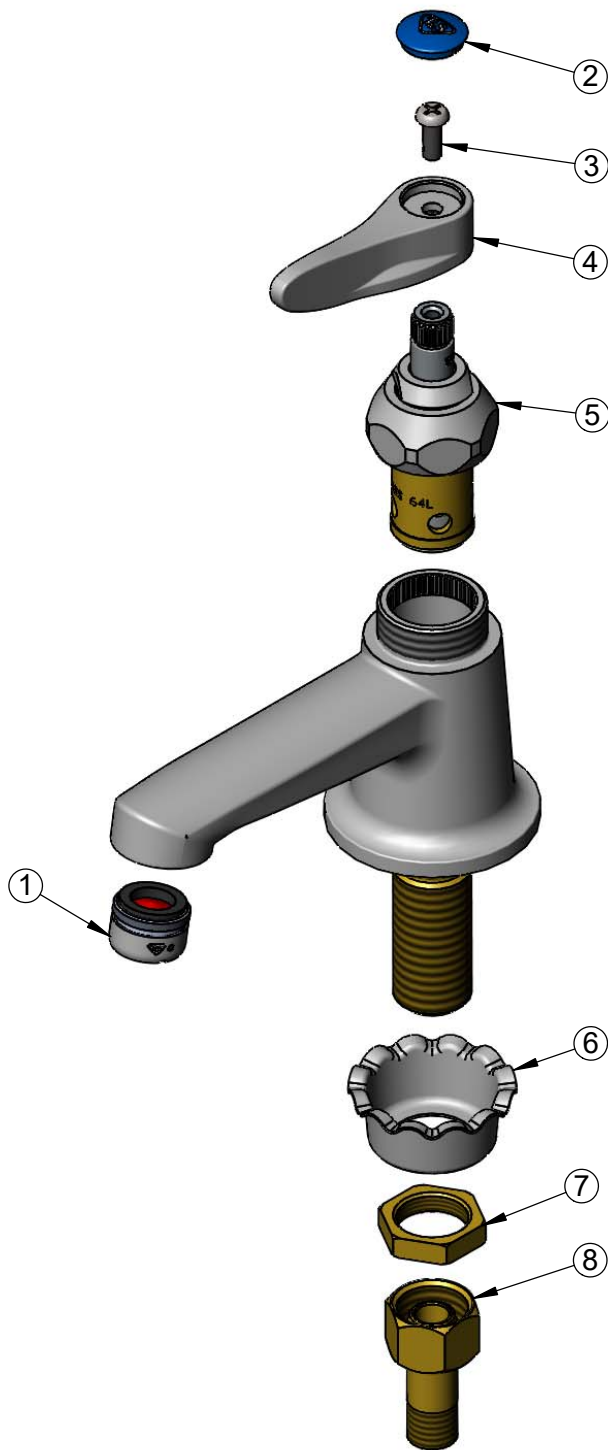
**T&S BRASS AND BRONZE WORKS, INC.**  
 2 Saddleback Cove / P.O. Box 1088  
 Travelers Rest, SC 29690

Model No.  
**B-0719**

Item No.

Travelers Rest, SC: 800-476-4103 • Simi Valley, CA: 800-423-0150 • Fax: 864-834-3518 • www.tsbrass.com

ITEM NO.	SALES NO.	DESCRIPTION
1	B-0199-03	2.2 GPM Aerator
2	018506-19NS	Blue Button Index, Press-in
3	000925-45	Lab Handle Screw
4	001638-45NS	Lever Handle (New Style)
5	012443-40NS	Quarter-Turn Eterna Cartridge w/ Spring Check, RTC
6	001000-45	Rosette Washer
7	002954-45	Shank Lock Nut
8	150A	1/4" NPT Tailpiece & Nut



Product Specifications:  
 Single Hole Single Temperature Deck Mount Basin Faucet,  
 Quarter-Turn Eterna Cartridge w/ Spring Check, Lever Handle  
 2.2 GPM Aerator & 1/2" NPSM Male Inlet

Product Compliance:  
 ASME A112.18.1 / CSA B125.1  
 NSF 61 - Section 9  
 NSF 372 (Low Lead Content)  
 ANSI A117.1 (ADA)