



**T&S BRASS AND BRONZE WORKS, INC.**  
 2 Saddleback Cove / P.O. Box 1088  
 Travelers Rest, SC 29690

Model No.  
**B-0712-WA**

Item No.

Travelers Rest, SC: 800-476-4103 • Simi Valley, CA: 800-423-0150 • Fax: 864-834-3518 • www.tsbrass.com



**ADA Compliant**

This Space for Architect/Engineer Approval

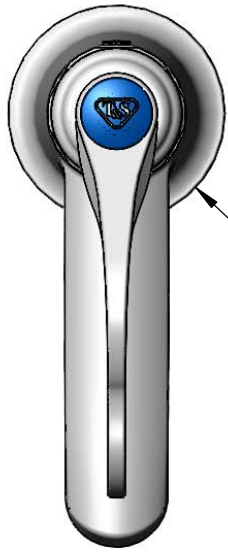
Job Name \_\_\_\_\_ Date \_\_\_\_\_

Model Specified \_\_\_\_\_ Quantity \_\_\_\_\_

Customer/Wholesaler \_\_\_\_\_

Contractor \_\_\_\_\_

Architect/Engineer \_\_\_\_\_



$\phi 2 \frac{1}{4}$ "  
 [57mm]  
 Base



4"  
 [102mm]

Wrist-Action Metering  
 Cartridge & 4" Wrist Action  
 Handle w/ Blue (Cold) Index

**B-0199-03**  
 2.2 GPM  
 Aerator

6  $\frac{11}{16}$ "  
 [171mm]

5  $\frac{1}{16}$ "  
 [129mm]

1  $\frac{5}{16}$ "  
 [34mm]

Mounting  
 Surface

2  $\frac{5}{16}$ "  
 [59mm]

1/2" NPSM  
 Male Inlet

4  $\frac{1}{16}$ "  
 [103mm]

13/16"  
 [21mm]  
 Maximum

**150A**  
 Optional Tailpiece & Nut  
 For 1/4" NPT Connection  
 (Included)

Rough-In Requirement:  
 $\phi 1 \frac{1}{8}$ " [29mm] Mounting Hole

**Product Specifications:**

Single Hole Single Temperature Basin Deck Mount Faucet, Wrist  
 Action Metering Cartridge, 4" Wrist Action Handle, 2.2 GPM Aerator  
 & 1/2" NPSM Male Inlet

**Product Compliance:**

ASME A112.18.1 / CSA B125.1  
 NSF 61 - Section 9  
 NSF 372 (Low Lead Content)  
 ANSI A117.1 (ADA)



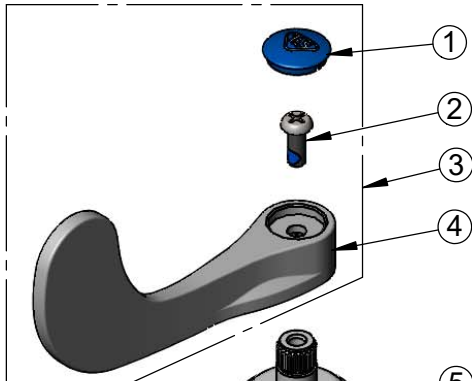
**T&S BRASS AND BRONZE WORKS, INC.**  
 2 Saddleback Cove / P.O. Box 1088  
 Travelers Rest, SC 29690

Model No.

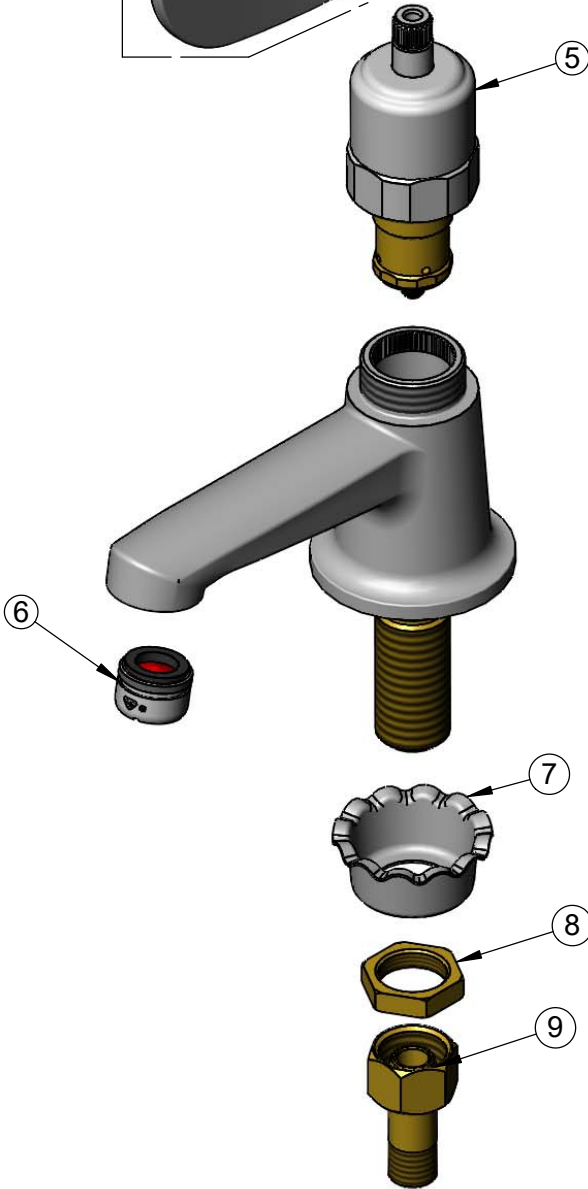
**B-0712-WA**

Item No.

Travelers Rest, SC: 800-476-4103 • Simi Valley, CA: 800-423-0150 • Fax: 864-834-3518 • www.tsbrass.com



ITEM NO.	SALES NO.	DESCRIPTION
1	018506-19NS	Blue Button Index, Press-in
2	000925-45	Lab Handle Screw
3	B-WH4C-NS	4" Wrist Action Handle, Screw & Cold Index
4	B-WH4-NS	Wrist Action Handle - New Style
5	012449-40	Wrist-Action Metering Cartridge
6	B-0199-03	2.2 GPM Aerator
7	001000-45	Rosette Washer
8	002954-45	Shank Lock Nut
9	150A	1/4" NPT Tailpiece & Nut
40	000958-20	Coupling Nut
41	001592-20	1/4" NPT Tailpiece



**Product Specifications:**

Single Hole Single Temperature Basin Deck Mount Faucet, Wrist Action Metering Cartridge, 4" Wrist Action Handle, 2.2 GPM Aerator & 1/2" NPSM Male Inlet

**Product Compliance:**

ASME A112.18.1 / CSA B125.1  
 NSF 61 - Section 9  
 NSF 372 (Low Lead Content)  
 ANSI A117.1 (ADA)