



# T&S BRASS AND BRONZE WORKS, INC.

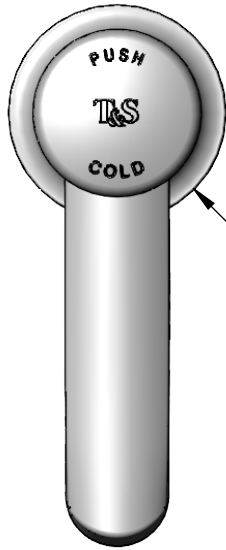
2 Saddleback Cove / P.O. Box 1088  
Travelers Rest, SC 29690

Model No.

**B-0712-VF05-COLD**

Item No.

Travelers Rest, SC: 800-476-4103 • Simi Valley, CA: 800-423-0150 • Fax: 864-834-3518 • www.tsbrass.com



Ø 2 1/4"  
[57mm]  
Base



**ADA Compliant**

This Space for Architect/Engineer Approval

Job Name \_\_\_\_\_ Date \_\_\_\_\_

Model Specified \_\_\_\_\_ Quantity \_\_\_\_\_

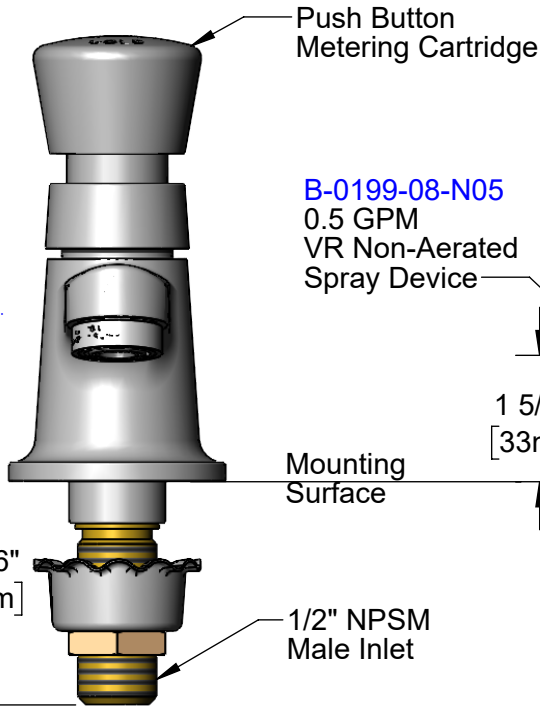
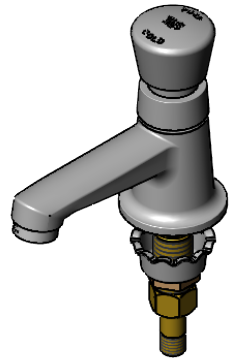
Customer/Wholesaler \_\_\_\_\_

Contractor \_\_\_\_\_

Architect/Engineer \_\_\_\_\_



Spanner Bit for Access to  
Metering Adjustment Included.  
(Metering Adjustment Requires  
3/32" Hex Key)



2 5/16"  
[59mm]

Mounting  
Surface

1/2" NPSM  
Male Inlet

1 5/16"  
[33mm]

**150A**  
Optional Tailpiece & Nut  
For 1/4" NPT Connection  
(Included)

4 1/16"  
[103mm]



4 5/8"  
[118mm]

13/16"  
[21mm]  
Maximum  
Thickness

Rough-In Requirement:  
Ø 1 1/8" [29mm] Mounting Hole

### Product Specifications:

Single Hole Single Temperature Deck Mount Basin Faucet, Cold Push Button Metering Cartridge, 0.5 GPM Non-Aerated Spray Device & 1/2" NPSM Male Inlet

### Product Compliance:

ASME A112.18.1 / CSA B125.1  
NSF 61 - Section 9  
NSF 372 (Low Lead Content)  
ANSI A117.1 (ADA)



# T&S BRASS AND BRONZE WORKS, INC.

2 Saddleback Cove / P.O. Box 1088  
Travelers Rest, SC 29690

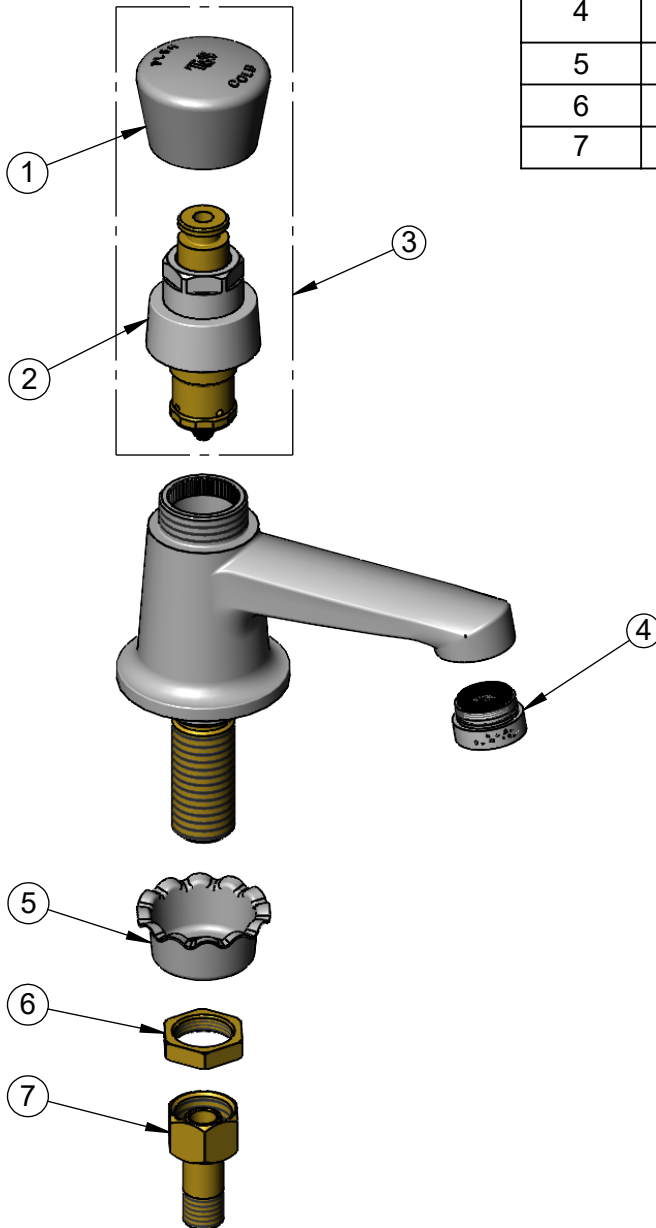
Model No.

**B-0712-VF05-COLD**

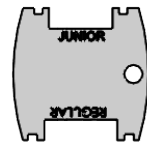
Item No.

Travelers Rest, SC: 800-476-4103 • Simi Valley, CA: 800-423-0150 • Fax: 864-834-3518 • www.tsbrass.com

ITEM NO.	SALES NO.	DESCRIPTION
1	014193-40	Blank Push Button Cap w/ Spanner Bit
2	238A	Push Button Metering Cartridge
3	238AC	Metering Cartridge w/ Cold Push Button Cap & Spanner Bit
4	B-0199-08-N05	0.5 GPM VR Spray Device, 13/16-27 Male
5	001000-45	Rosette Washer
6	002954-45	Shank Lock Nut
7	150A	1/4" NPT Tailpiece & Nut



014734-45  
#8 Spanner Bit



015425-45  
Vandal Resistant Key

**Product Specifications:**

Single Hole Single Temperature Deck Mount Basin Faucet, Cold Push Button Metering Cartridge, 0.5 GPM Non-Aerated Spray Device & 1/2" NPSM Male Inlet

**Product Compliance:**

ASME A112.18.1 / CSA B125.1  
NSF 61 - Section 9  
NSF 372 (Low Lead Content)  
ANSI A117.1 (ADA)