



T&S BRASS AND BRONZE WORKS, INC.

2 Saddleback Cove / P.O. Box 1088
Travelers Rest, SC 29690

Model No.

B-0712-PA

Item No.

Travelers Rest, SC: 800-476-4103 • Simi Valley, CA: 800-423-0150 • Fax: 864-834-3518 • www.tsbrass.com



ADA Compliant

This Space for Architect/Engineer Approval

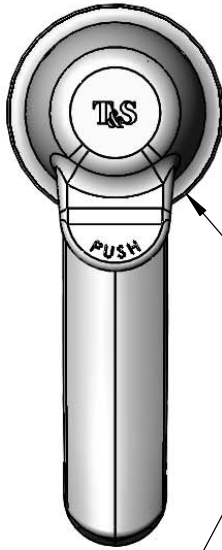
Job Name _____ Date _____

Model Specified _____ Quantity _____

Customer/Wholesaler _____

Contractor _____

Architect/Engineer _____

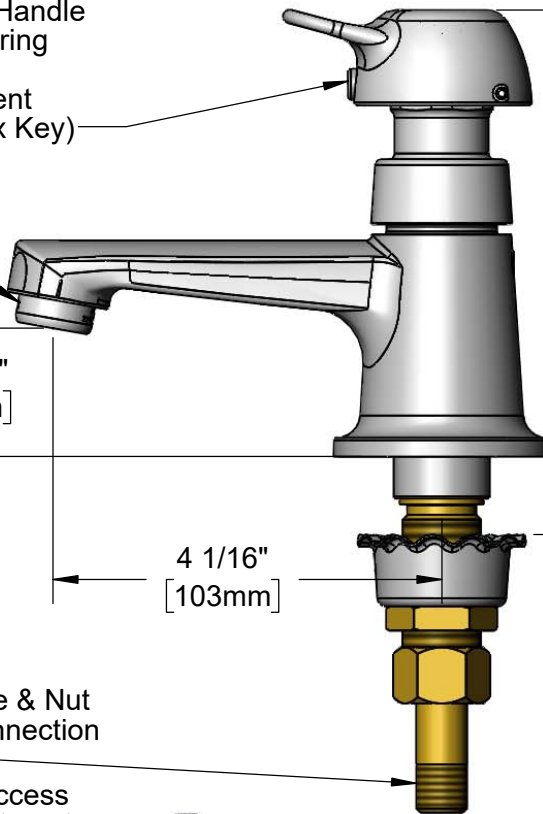
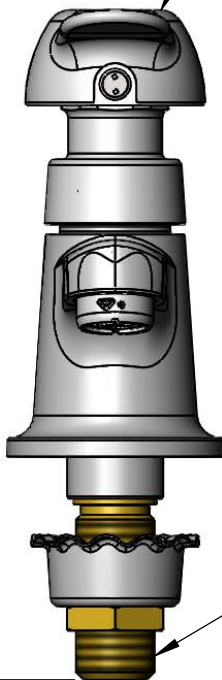


Ø 2 1/4"
[57mm]
Base

Pivot Action Metering Cartridge
w/ Blank Handle & Vandal Resistant
Screw

Vandal Resistant Screw.
Loosen Screw (Do Not
Remove) and Flip Handle
Up to Access Metering
Adjustment.
(Metering Adjustment
Requires 3/32" Hex Key)

B-0199-03
2.2 GPM
Aerator



4 5/8"
[118mm]

1 5/16"
[34mm]

Mounting
Surface

2 5/16"
[59mm]

1/2" NPSM
Male Inlet

4 1/16"
[103mm]

13/16"
[21mm]
Maximum
Thickness

150A
Optional Tailpiece & Nut
For 1/4" NPT Connection
(Included)
Spanner Bit for Access
to Metering Adjustment
Included. (Metering
Adjustment Requires
3/32" Hex Key)



Rough-In Requirement:
Ø 1 1/8" [29mm] Mounting Hole

Product Specifications:

Single Hole Single Temperature Deck Mount Basin Faucet, Pivot Action
Metering Cartridge, 2.2 GPM Aerator & 1/2" NPSM Male Inlet

Product Compliance:

ASME A112.18.1 / CSA B125.1
NSF 61 - Section 9
NSF 372 (Low Lead Content)
ANSI A117.1 (ADA)



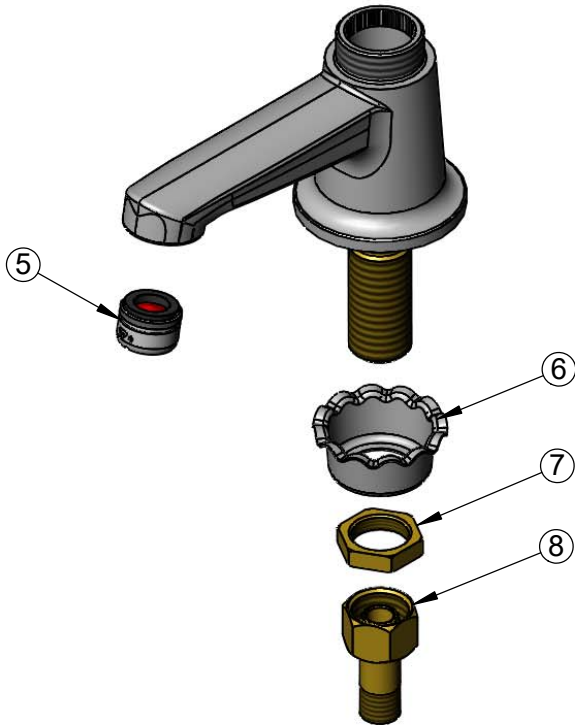
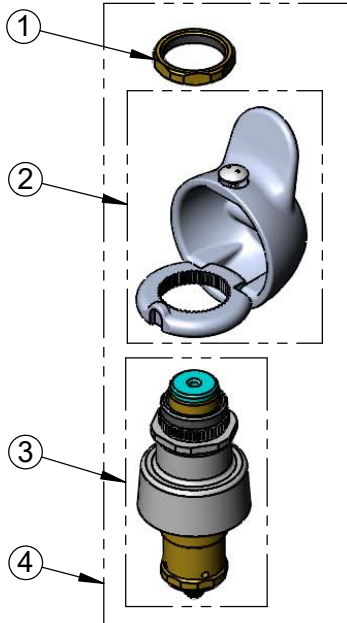
T&S BRASS AND BRONZE WORKS, INC.
 2 Saddleback Cove / P.O. Box 1088
 Travelers Rest, SC 29690

Model No.
B-0712-PA

Item No.

Travelers Rest, SC: 800-476-4103 • Simi Valley, CA: 800-423-0150 • Fax: 864-834-3518 • www.tsbrass.com

ITEM NO.	SALES NO.	DESCRIPTION
1	PA-N	Retaining Nut
2	PA-B	Blank Pivot Action Handle w/ Spanner Bit
3	238A-PA	Pivot Action Metering Cartridge w/ Retaining Nut
4	238AB-PA	Pivot Action Metering Cartridge w/ Blank PA Handle & Spanner Bit
5	B-0199-03	2.2 GPM Aerator
6	001000-45	Rosette Washer
7	002954-45	Shank Lock Nut
8	150A	1/4" NPT Tailpiece & Nut



014734-45
 #8 Spanner Bit



016654-45
 Pivot Action Handle
 VR Screw

Product Specifications:

Single Hole Single Temperature Deck Mount Basin Faucet, Pivot Action Metering Cartridge, 2.2 GPM Aerator & 1/2" NPSM Male Inlet

Product Compliance:

ASME A112.18.1 / CSA B125.1
 NSF 61 - Section 9
 NSF 372 (Low Lead Content)
 ANSI A117.1 (ADA)