



# T&S BRASS AND BRONZE WORKS, INC.

2 Saddleback Cove / P.O. Box 1088  
Travelers Rest, SC 29690

Model No.

**B-0712-4DP**

Item No.

Travelers Rest, SC: 800-476-4103 • Simi Valley, CA: 800-423-0150 • Fax: 864-834-3518 • www.tsbrass.com



**ADA Compliant**

This Space for Architect/Engineer Approval

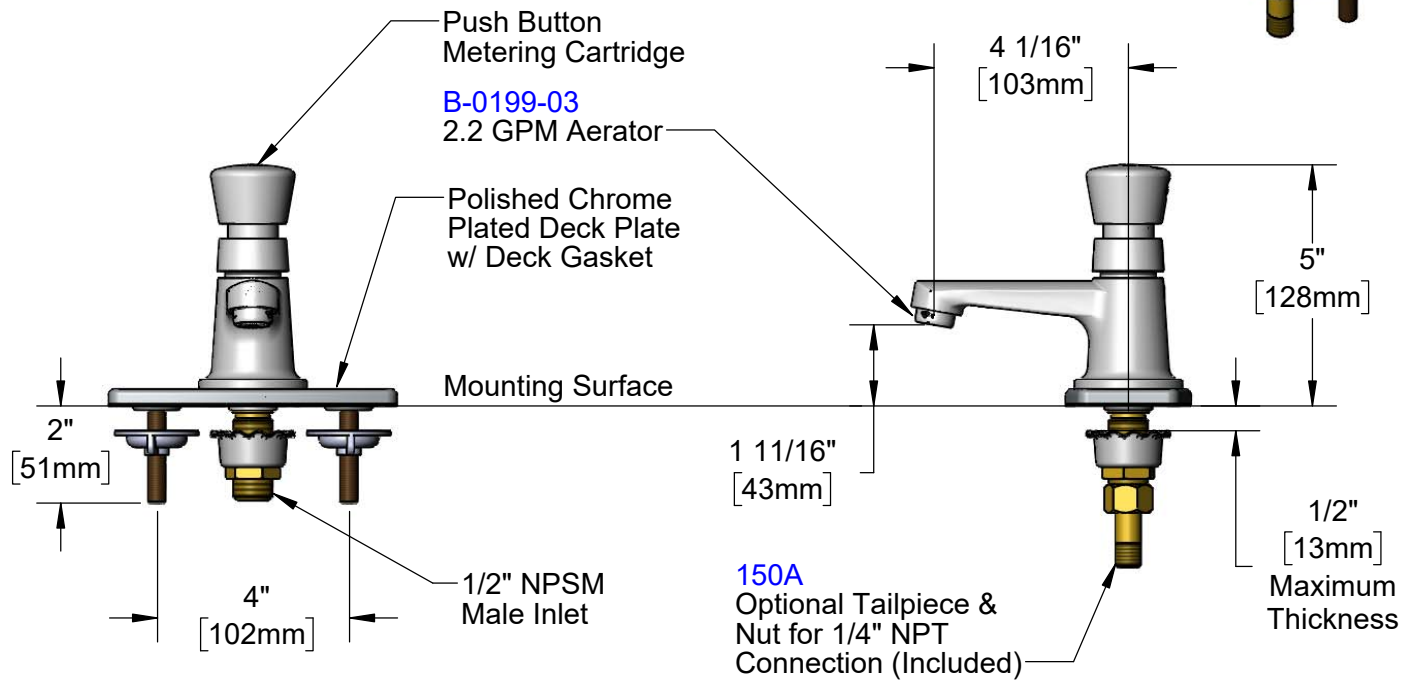
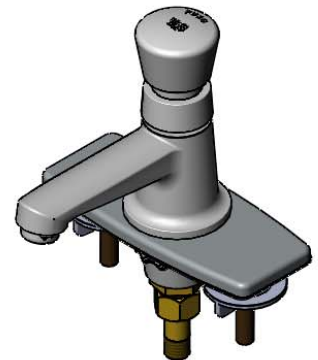
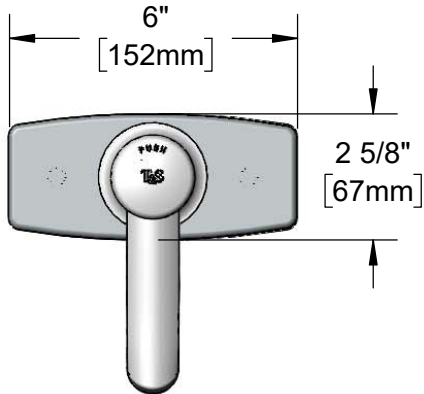
Job Name \_\_\_\_\_ Date \_\_\_\_\_

Model Specified \_\_\_\_\_ Quantity \_\_\_\_\_

Customer/Wholesaler \_\_\_\_\_

Contractor \_\_\_\_\_

Architect/Engineer \_\_\_\_\_



**Rough-In Requirement:**  
(3)  $\phi$  1 1/8" [29mm] Mounting Holes

**Product Specifications:**  
Single Hole Single Temperature Deck Mount Faucet, Push Button Metering Cartridge, 2.2 GPM Aerator, 4" Deck Plate & 1/2" NPSM Male Inlet

**Product Compliance:**  
ASME A112.18.1 / CSA B125.1  
NSF 61 - Section 9  
NSF 372 (Low Lead Content)  
ANSI A117.1 (ADA)



# T&S BRASS AND BRONZE WORKS, INC.

2 Saddleback Cove / P.O. Box 1088  
Travelers Rest, SC 29690

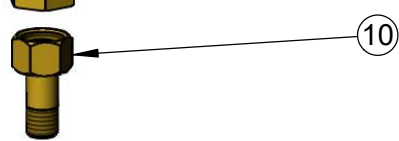
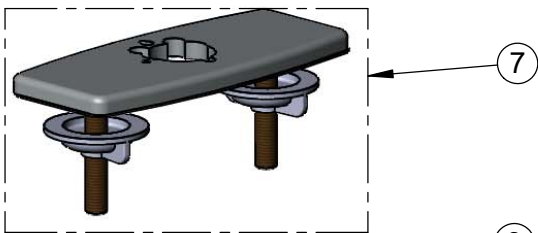
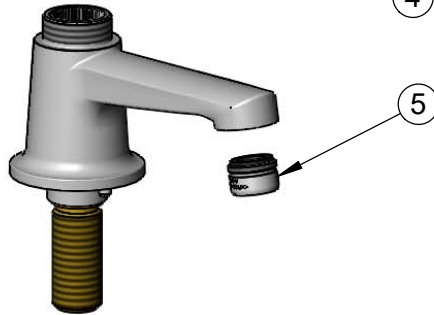
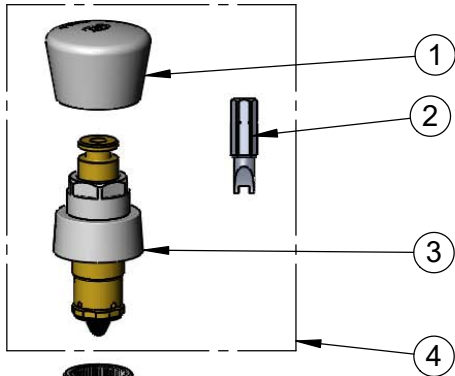
Model No.

**B-0712-4DP**

Item No.

Travelers Rest, SC: 800-476-4103 • Simi Valley, CA: 800-423-0150 • Fax: 864-834-3518 • www.tsbrass.com

ITEM NO.	SALES NO.	DESCRIPTION
1	014193-40	Push Button Cap Assembly
2	014734-45	Spanner Bit
3	238A	Push Button Metering Cartridge
4	238AB	Metering Cartridge w/ Blank Push Button Cap & Spanner Bit
5	B-0199-03	2.2 GPM Aerator
6	020231-20	Deckplate Spacer
7	013433-40	4" Universal Deck Plate, Gasket & Mounting Hardware
8	001000-45	Rosette Washer
9	002954-45	Shank Lock Nut
10	150A	Nut and Tailpiece Assembly



**Product Specifications:**

Single Hole Single Temperature Deck Mount Faucet, Push Button Metering Cartridge, 2.2 GPM Aerator, 4" Deck Plate & 1/2" NPSM Male Inlet

**Product Compliance:**

ASME A112.18.1 / CSA B125.1  
NSF 61 - Section 9  
NSF 372 (Low Lead Content)  
ANSI A117.1 (ADA)