



T&S BRASS AND BRONZE WORKS, INC.

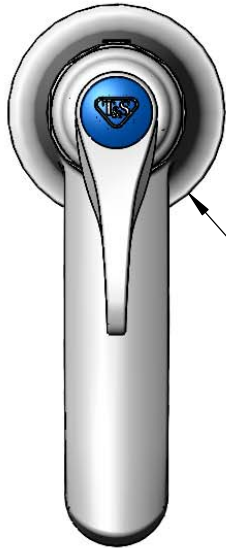
2 Saddleback Cove / P.O. Box 1088
Travelers Rest, SC 29690

Model No.

B-0712-01VRS

Item No.

Travelers Rest, SC: 800-476-4103 • Simi Valley, CA: 800-423-0150 • Fax: 864-834-3518 • www.tsbrass.com



Ø 2 1/4"
[57mm]
Base



ADA Compliant



This Space for Architect/Engineer Approval

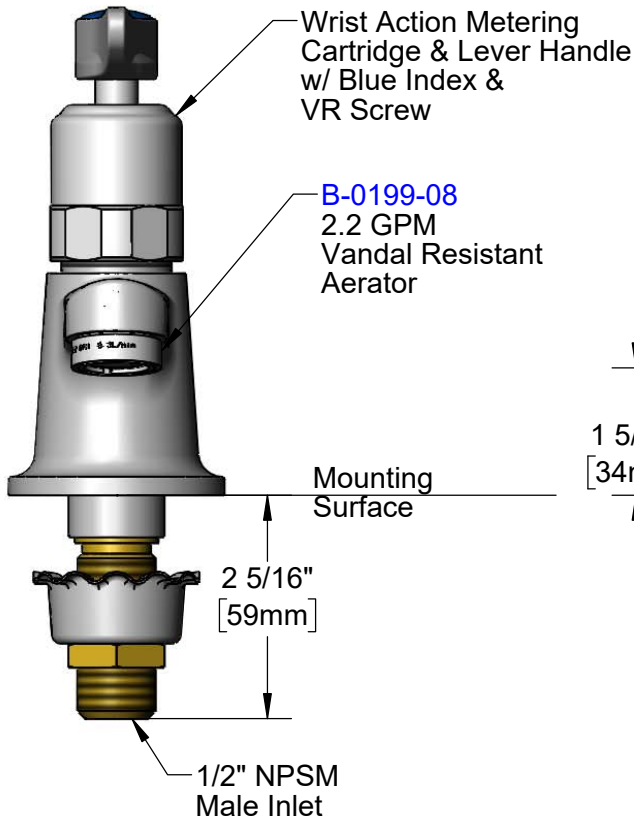
Job Name _____ Date _____

Model Specified _____ Quantity _____

Customer/Wholesaler _____

Contractor _____

Architect/Engineer _____



Wrist Action Metering
Cartridge & Lever Handle
w/ Blue Index &
VR Screw

B-0199-08
2.2 GPM
Vandal Resistant
Aerator

Mounting
Surface

2 5/16"
[59mm]

1/2" NPSM
Male Inlet

1 5/16"
[34mm]

4 1/16"
[103mm]

5 1/16"
[129mm]

13/16"
[20mm]
Maximum
Thickness

150A
Optional Tailpiece & Nut
For 1/4" NPT Connection
(Included)

Rough-In Requirement:
Ø 1 1/8" [29mm] Mounting Hole

Product Specifications:

Single Hole Single Temperature Deck Mount Basin Faucet, Wrist Action Metering Cartridge, Lever Handle, VR Screw, 2.2 GPM VR Aerator & 1/2" NPSM Male Inlet

Product Compliance:

ASME A112.18.1 / CSA B125.1
NSF 61 - Section 9
NSF 372 (Low Lead Content)
ANSI A117.1 (ADA)



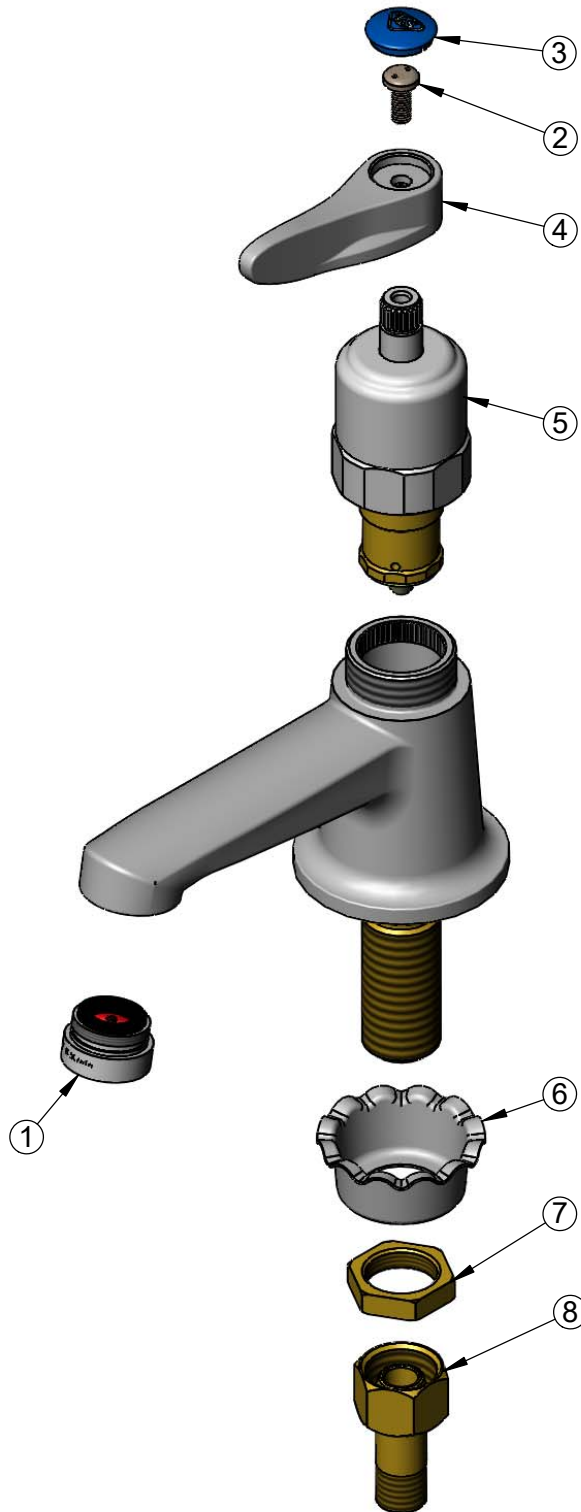
T&S BRASS AND BRONZE WORKS, INC.
 2 Saddleback Cove / P.O. Box 1088
 Travelers Rest, SC 29690

Model No.
B-0712-01VRS

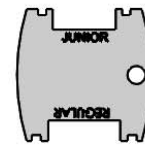
Item No.

Travelers Rest, SC: 800-476-4103 • Simi Valley, CA: 800-423-0150 • Fax: 864-834-3518 • www.tsbrass.com

ITEM NO.	SALES NO.	DESCRIPTION
1	B-0199-08	VR 2.2 GPM Aerator, 13/16-27 UN Male w/ Key
2	VRS-2	VR Wrist Action Handle Screw (2) w/ Spanner Bit
3	018506-19NS	Blue Button Index, Press-in
4	001638-45NS	Lever Handle (New Style)
5	012449-40	Wrist Action Metering Cartridge
6	001000-45	Rosette Washer
7	002954-45	Shank Lock Nut
8	150A	1/4" NPT Tailpiece & Nut



010587-45
 Pin-In-Socket Hex Key



015425-45
 Vandal Resistant Key

Product Specifications:
 Single Hole Single Temperature Deck Mount Basin Faucet, Wrist Action Metering Cartridge, Lever Handle, VR Screw, 2.2 GPM VR Aerator & 1/2" NPSM Male Inlet

Product Compliance:
 ASME A112.18.1 / CSA B125.1
 NSF 61 - Section 9
 NSF 372 (Low Lead Content)
 ANSI A117.1 (ADA)