



T&S BRASS AND BRONZE WORKS, INC.

2 Saddleback Cove / P.O. Box 1088
Travelers Rest, SC 29690

Model No.

B-0710-WS

Item No.

Travelers Rest, SC: 800-476-4103 • Simi Valley, CA: 800-423-0150 • Fax: 864-834-3518 • www.tsbrass.com



ADA Compliant



This Space for Architect/Engineer Approval

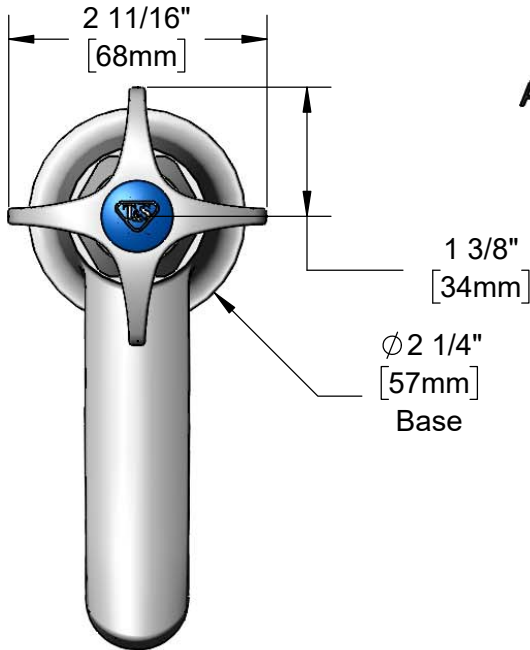
Job Name _____ Date _____

Model Specified _____ Quantity _____

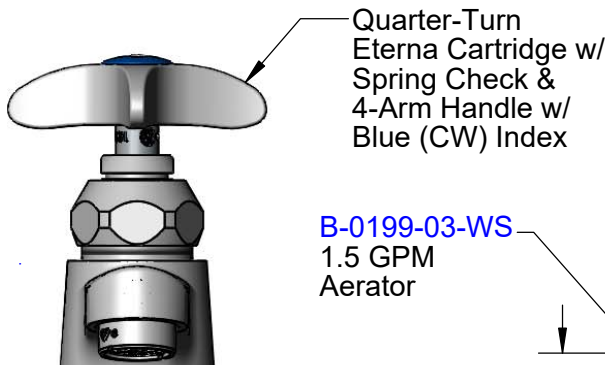
Customer/Wholesaler _____

Contractor _____

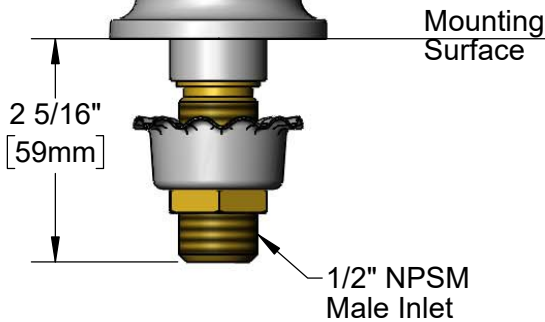
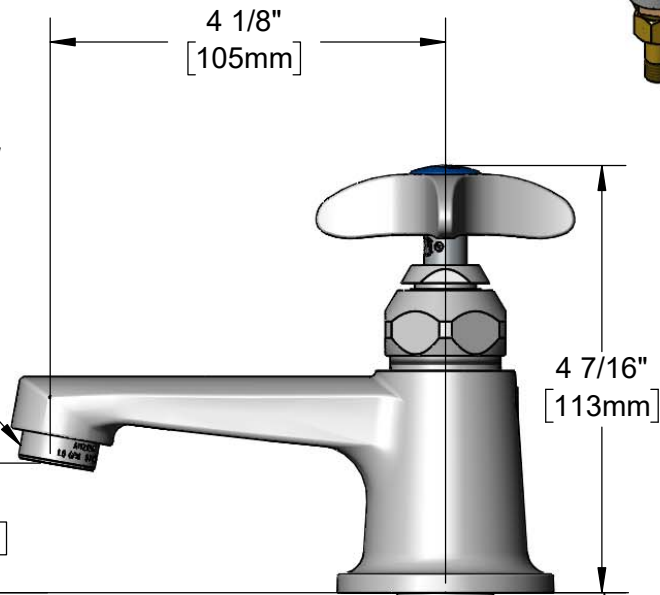
Architect/Engineer _____



Ø 2 1/4"
[57mm]
Base



B-0199-03-WS
1.5 GPM
Aerator



1/2" NPSM
Male Inlet

150A
Optional Tailpiece & Nut
for 1/4" NPT Connection
(Included)

13/16"
[21mm]
Maximum
Thickness

Rough-In Requirement:
Ø 1 1/8" [29mm] Mounting Hole

Product Specifications:

Single Hole Single Temperature Deck Mount Basin Faucet,
Quarter-Turn Eterna Cartridge w/ Spring Check, 4-Arm Handle,
1.5 GPM Aerator & 1/2" NPSM Male Inlet

Product Compliance:

ASME A112.18.1 / CSA B125.1
NSF 61 - Section 9
NSF 372 (Low Lead Content)
EPA WaterSense
ANSI A117.1 (ADA)



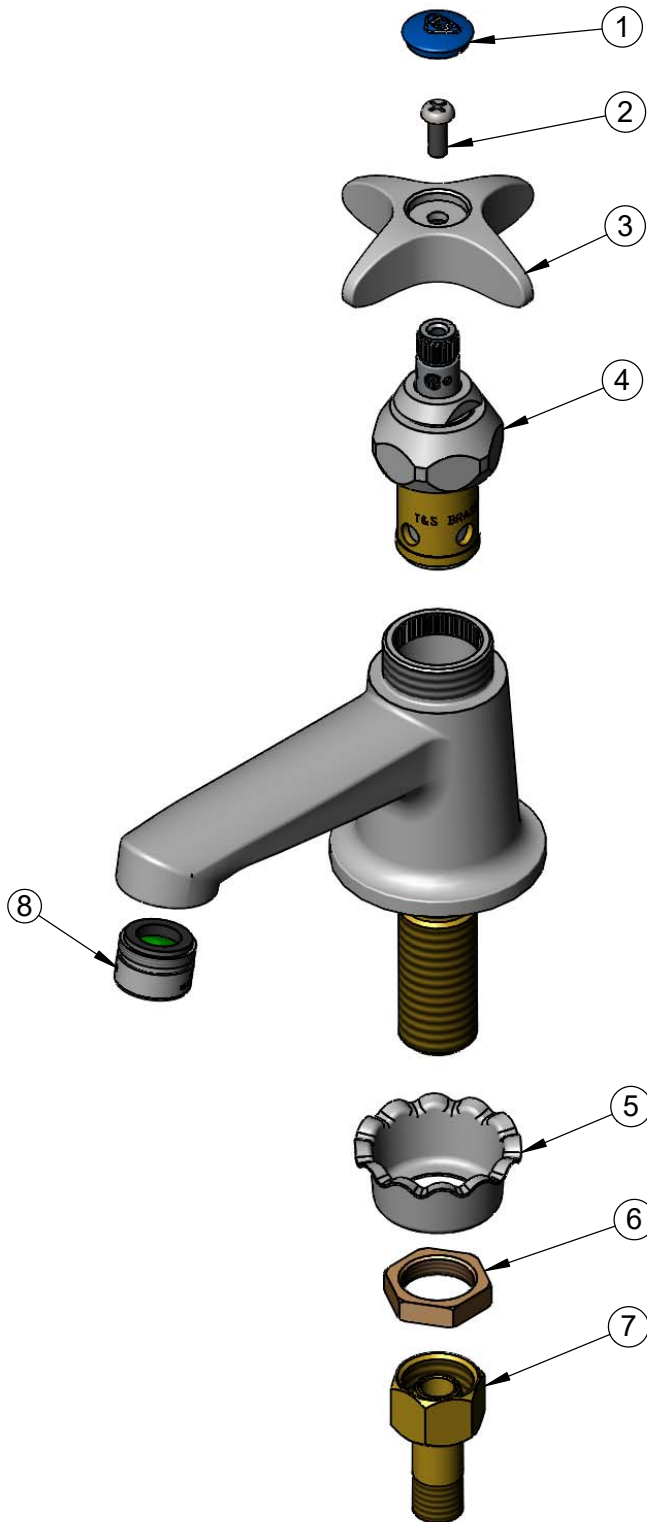
T&S BRASS AND BRONZE WORKS, INC.
 2 Saddleback Cove / P.O. Box 1088
 Travelers Rest, SC 29690

Model No.
B-0710-WS

Item No.

Travelers Rest, SC: 800-476-4103 • Simi Valley, CA: 800-423-0150 • Fax: 864-834-3518 • www.tsbrass.com

ITEM NO.	SALES NO.	DESCRIPTION
1	018506-19NS	Blue Button Index, Press-in
2	000925-45	Lab Handle Screw
3	002521-45NS	4-Arm Handle (New Style)
4	012443-40NS	Quarter-Turn Eterna Cartridge w/ Spring Check, RTC
5	001000-45	Rosette Washer
6	002954-45	Shank Lock Nut
7	150A	1/4" NPT Tailpiece & Nut
8	B-0199-03-WS	1.5 GPM Aerator, 13/16-27 Male



Product Specifications:
 Single Hole Single Temperature Deck Mount Basin Faucet,
 Quarter-Turn Eterna Cartridge w/ Spring Check, 4-Arm Handle,
 1.5 GPM Aerator & 1/2" NPSM Male Inlet

Product Compliance:
 ASME A112.18.1 / CSA B125.1
 NSF 61 - Section 9
 NSF 372 (Low Lead Content)
 EPA WaterSense
 ANSI A117.1 (ADA)