



**T&S BRASS AND BRONZE WORKS, INC.**  
 2 Saddleback Cove / P.O. Box 1088  
 Travelers Rest, SC 29690

Model No.  
**B-0710-LT-CR**

Item No.

Travelers Rest, SC: 800-476-4103 • Simi Valley, CA: 800-423-0150 • Fax: 864-834-3518 • www.tsbrass.com



**ADA Compliant**

This Space for Architect/Engineer Approval

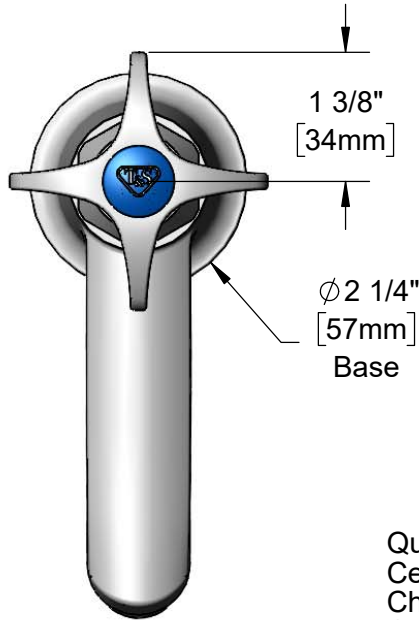
Job Name \_\_\_\_\_ Date \_\_\_\_\_

Model Specified \_\_\_\_\_ Quantity \_\_\_\_\_

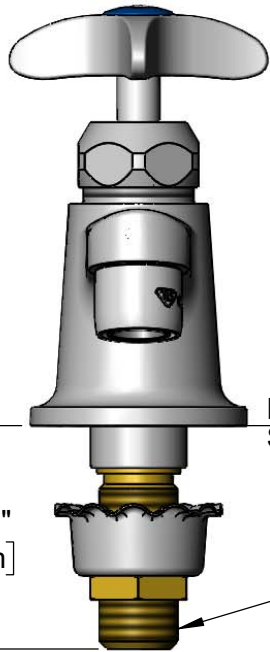
Customer/Wholesaler \_\_\_\_\_

Contractor \_\_\_\_\_

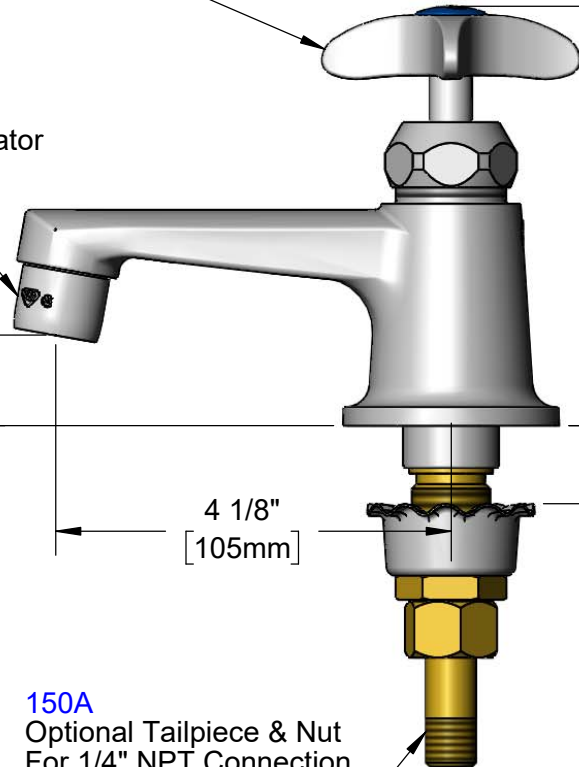
Architect/Engineer \_\_\_\_\_



Quarter-Turn  
 Cerama Cartridge w/  
 Check Valve &  
 4-Arm Handle w/  
 Blue (Cold) Index



B-PT  
 Stream Regulator  
 Outlet



4 3/8"  
 [111mm]

15/16"  
 [24mm]

Mounting  
 Surface

4 1/8"  
 [105mm]

13/16"  
 [21mm]  
 Maximum  
 Thickness

1/2" NPSM  
 Male Inlet

150A  
 Optional Tailpiece & Nut  
 For 1/4" NPT Connection  
 (Included)

Rough-In Requirement:  
 $\phi$  1 1/8" [29mm] Mounting Hole

Product Specifications:

Single Hole Single Temperature Deck Mount Basin Faucet,  
 Quarter-Turn Cerama Cartridge w/ Check Valve, 4-Arm Kitchen Handle,  
 Cold Index, Stream Regulator Outlet & 1/2" NPSM Male Inlet

Product Compliance:

ASME A112.18.1 / CSA B125.1  
 NSF 61 - Section 9  
 NSF 372 (Low Lead Content)  
 ANSI A117.1 (ADA)

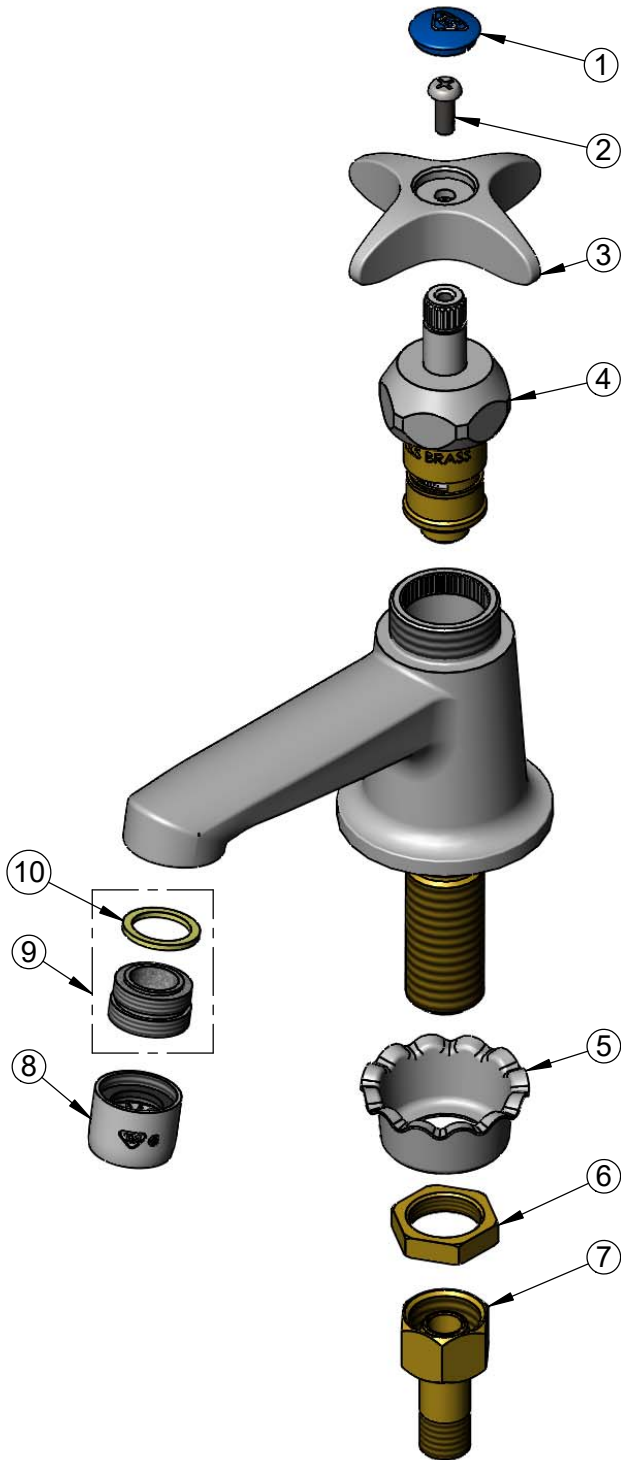


**T&S BRASS AND BRONZE WORKS, INC.**  
 2 Saddleback Cove / P.O. Box 1088  
 Travelers Rest, SC 29690

Model No.  
**B-0710-LT-CR**  
 Item No.

Travelers Rest, SC: 800-476-4103 • Simi Valley, CA: 800-423-0150 • Fax: 864-834-3518 • www.tsbrass.com

ITEM NO.	SALES NO.	DESCRIPTION
1	018506-19NS	Blue Button Index, Press-in
2	000925-45	Lab Handle Screw
3	002521-45NS	4-Arm Handle (New Style)
4	012394-25NS	Quarter-Turn Cerama Cartridge w/ Check Valve, RTC
5	001000-45	Rosette Washer
6	002954-45	Shank Lock Nut
7	150A	1/4" NPT Tailpiece & Nut
8	B-PT	Full Flow Stream Regulator, 55/64-27
9	001651-47	Aerator Adapter
10	001048-45	Nozzle Tip Washer



**Product Specifications:**

Single Hole Single Temperature Deck Mount Basin Faucet,  
 Quarter-Turn Cerama Cartridge w/ Check Valve, 4-Arm Kitchen Handle,  
 Cold Index, Stream Regulator Outlet & 1/2" NPSM Male Inlet

**Product Compliance:**

ASME A112.18.1 / CSA B125.1  
 NSF 61 - Section 9  
 NSF 372 (Low Lead Content)  
 ANSI A117.1 (ADA)