



# T&S BRASS AND BRONZE WORKS, INC.

2 Saddleback Cove / P.O. Box 1088  
Travelers Rest, SC 29690

Model No.

**B-0709**

Item No.

Travelers Rest, SC: 800-476-4103 • Simi Valley, CA: 800-423-0150 • Fax: 864-834-3518 • www.tsbrass.com

This Space for Architect/Engineer Approval

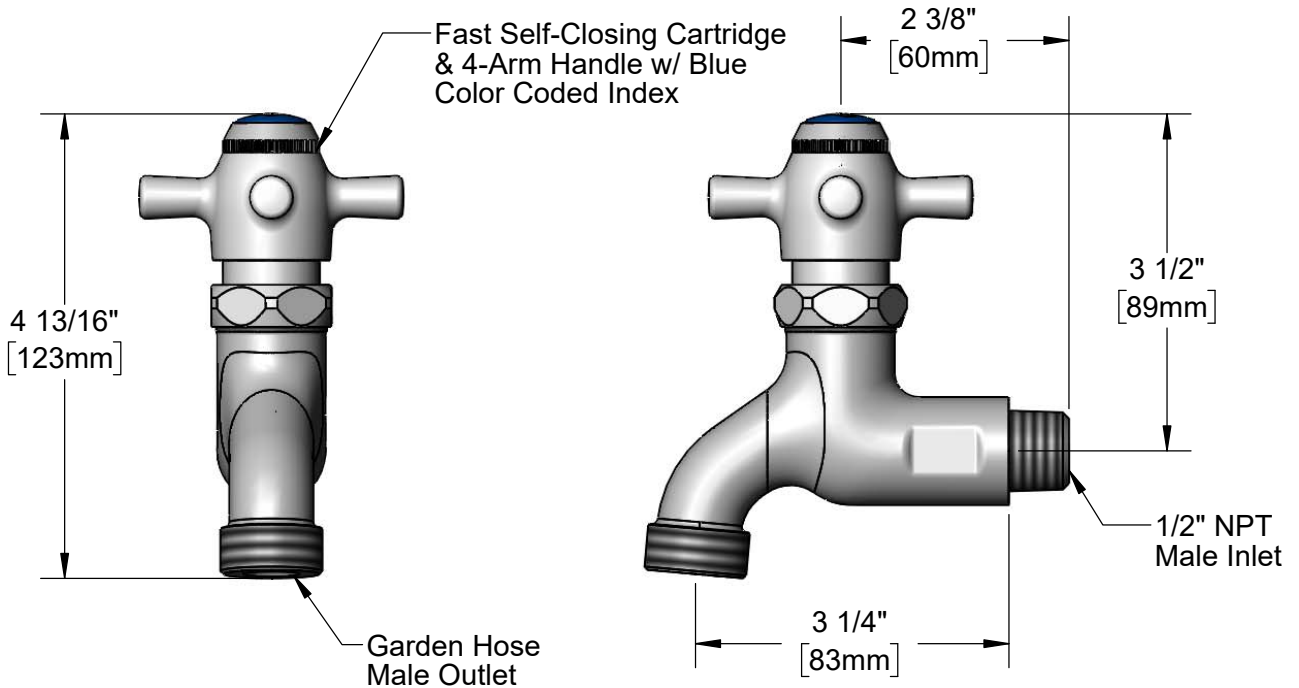
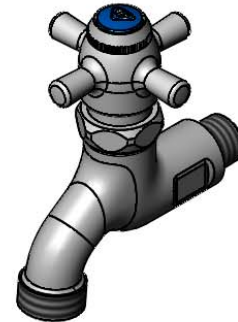
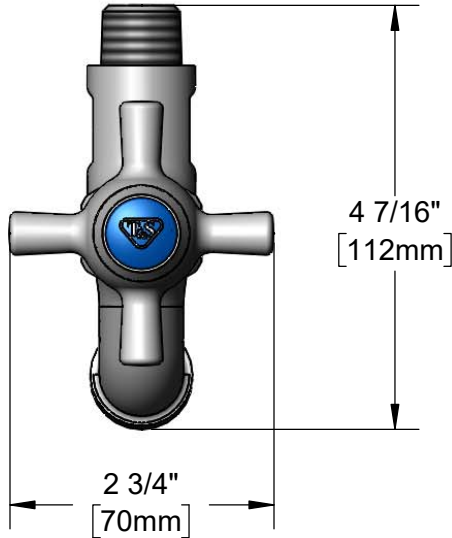
Job Name \_\_\_\_\_ Date \_\_\_\_\_

Model Specified \_\_\_\_\_ Quantity \_\_\_\_\_

Customer/Wholesaler \_\_\_\_\_

Contractor \_\_\_\_\_

Architect/Engineer \_\_\_\_\_



Rough-In Requirement:  
Ø 1" [25mm] Mounting Hole

Product Specifications:  
Fast Self-Closing Hose Bibb Faucet, 4-Arm Handle w/ Blue Color Coded Index,  
Garden Hose Male Outlet & 1/2" NPT Male Inlet

Product Compliance:  
ASME A112.18.1 / CSA B125.1  
NSF 61 - Section 9  
NSF 372 (Low Lead Content)

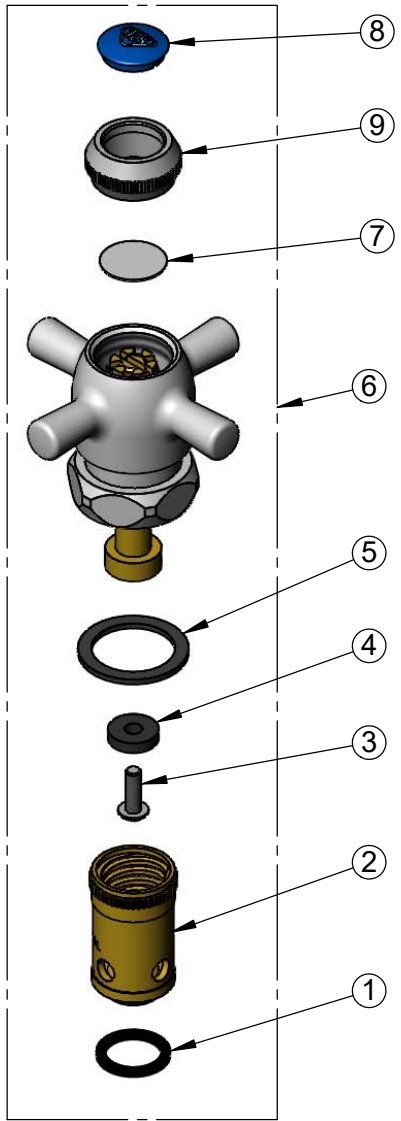


**T&S BRASS AND BRONZE WORKS, INC.**  
 2 Saddleback Cove / P.O. Box 1088  
 Travelers Rest, SC 29690

Model No.  
**B-0709**

Item No.

Travelers Rest, SC: 800-476-4103 • Simi Valley, CA: 800-423-0150 • Fax: 864-834-3518 • www.tsbrass.com



ITEM NO.	SALES NO.	DESCRIPTION
1	001022-45	Bottom Gasket
2	000789-20	Removable Insert, LH Thread
3	000933-45	B-1100 Seat Washer Screw
4	001092-45	Seat Washer
5	002601-45	Top Gasket
6	007900-40NS	Fast Self-Closing Cold Cartridge
7	001013-45	Self Close Handle Disc
8	018506-19NS	Blue Button Index, Press-in
9	000674-40NS	Slow Close Index Ring



Product Specifications:  
 Fast Self-Closing Hose Bibb Faucet, 4-Arm Handle w/ Blue Color Coded Index,  
 Garden Hose Male Outlet & 1/2" NPT Male Inlet

Product Compliance:  
 ASME A112.18.1 / CSA B125.1  
 NSF 61 - Section 9  
 NSF 372 (Low Lead Content)