



**T&S BRASS AND BRONZE WORKS, INC.**  
 2 Saddleback Cove / P.O. Box 1088  
 Travelers Rest, SC 29690

Model No.

**B-0709-JJ**

Item No.

Travelers Rest, SC: 800-476-4103 • Simi Valley, CA: 800-423-0150 • Fax: 864-834-3518 • www.tsbrass.com

This Space for Architect/Engineer Approval

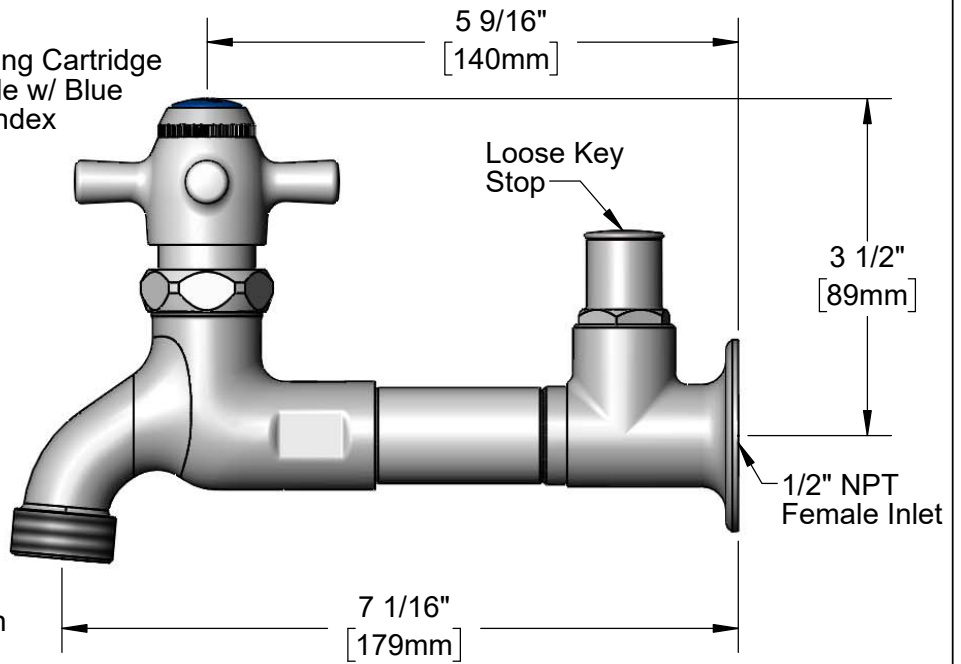
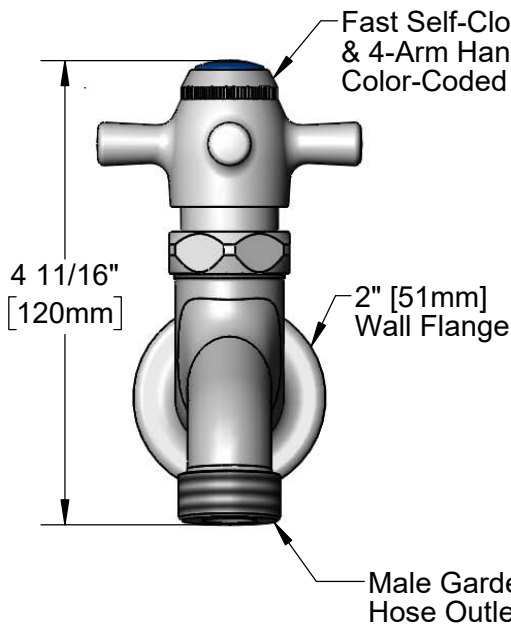
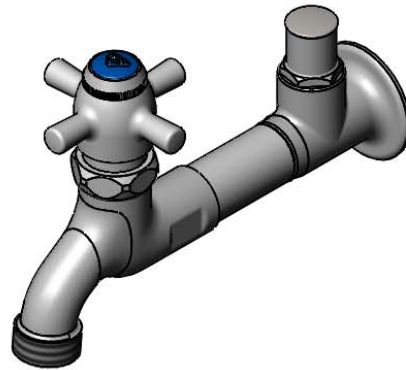
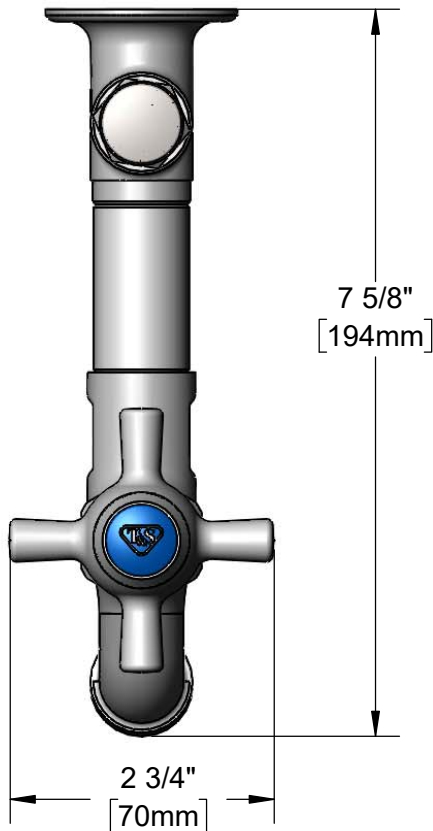
Job Name \_\_\_\_\_ Date \_\_\_\_\_

Model Specified \_\_\_\_\_ Quantity \_\_\_\_\_

Customer/Wholesaler \_\_\_\_\_

Contractor \_\_\_\_\_

Architect/Engineer \_\_\_\_\_



**Product Specifications:**

Fast Self-Closing Hose Bibb Faucet, 4-Arm Handle w/ Blue Color-Coded Index, Garden Hose Male Outlet, 1/2" NPT Female Inlet w/ Extension, and Loose Key Supply Stop w/ Cap

**Product Compliance:**

ASME A112.18.1 / CSA B125.1  
 NSF 61 - Section 9  
 NSF 372 (Low Lead Content)



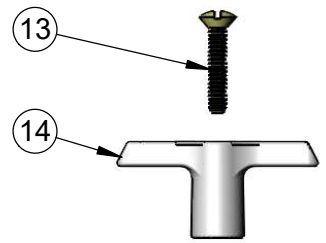
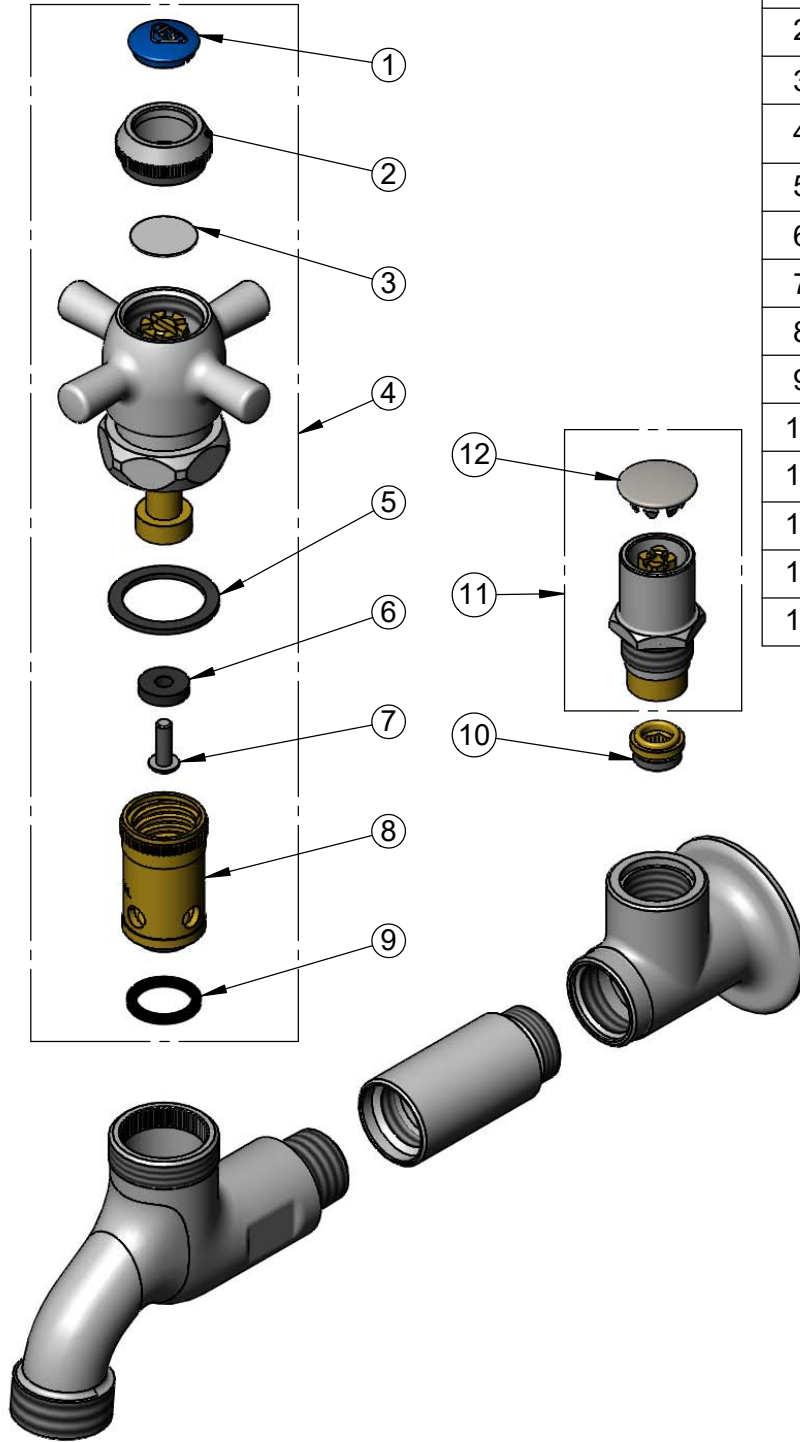
**T&S BRASS AND BRONZE WORKS, INC.**  
 2 Saddleback Cove / P.O. Box 1088  
 Travelers Rest, SC 29690

Model No.  
**B-0709-JJ**

Item No.

Travelers Rest, SC: 800-476-4103 • Simi Valley, CA: 800-423-0150 • Fax: 864-834-3518 • www.tsbrass.com

ITEM NO.	SALES NO.	DESCRIPTION
1	018506-19NS	Blue Button Index, Press-in
2	000674-40NS	Slow Close Index Ring
3	001013-45	Slow Close Handle Disc
4	007900-40NS	Fast Self-Closing Cold Cartridge
5	002601-45	Top Gasket
6	001092-45	Seat Washer
7	000933-45	B-1100 Seat Washer Screw
8	000789-20	Removable Insert, LH Thread
9	001022-45	Bottom Gasket
10	000763-20	Seat
11	002892-40	Spindle Assembly w/ Cap
12	001605-45	Cap
13	002432-45	Loose Key Handle Screw
14	001802-45	Supply Stop Tee Handle



**Product Specifications:**  
 Fast Self-Closing Hose Bibb Faucet, 4-Arm Handle w/ Blue Color-Coded Index, Garden Hose Male Outlet, 1/2" NPT Female Inlet w/ Extension, and Loose Key Supply Stop w/ Cap

**Product Compliance:**  
 ASME A112.18.1 / CSA B125.1  
 NSF 61 - Section 9  
 NSF 372 (Low Lead Content)