



T&S BRASS AND BRONZE WORKS, INC.
 2 Saddleback Cove / P.O. Box 1088
 Travelers Rest, SC 29690

Model No.
B-0708

Item No.

Travelers Rest, SC: 800-476-4103 • Simi Valley, CA: 800-423-0150 • Fax: 864-834-3518 • www.tsbrass.com

This Space for Architect/Engineer Approval

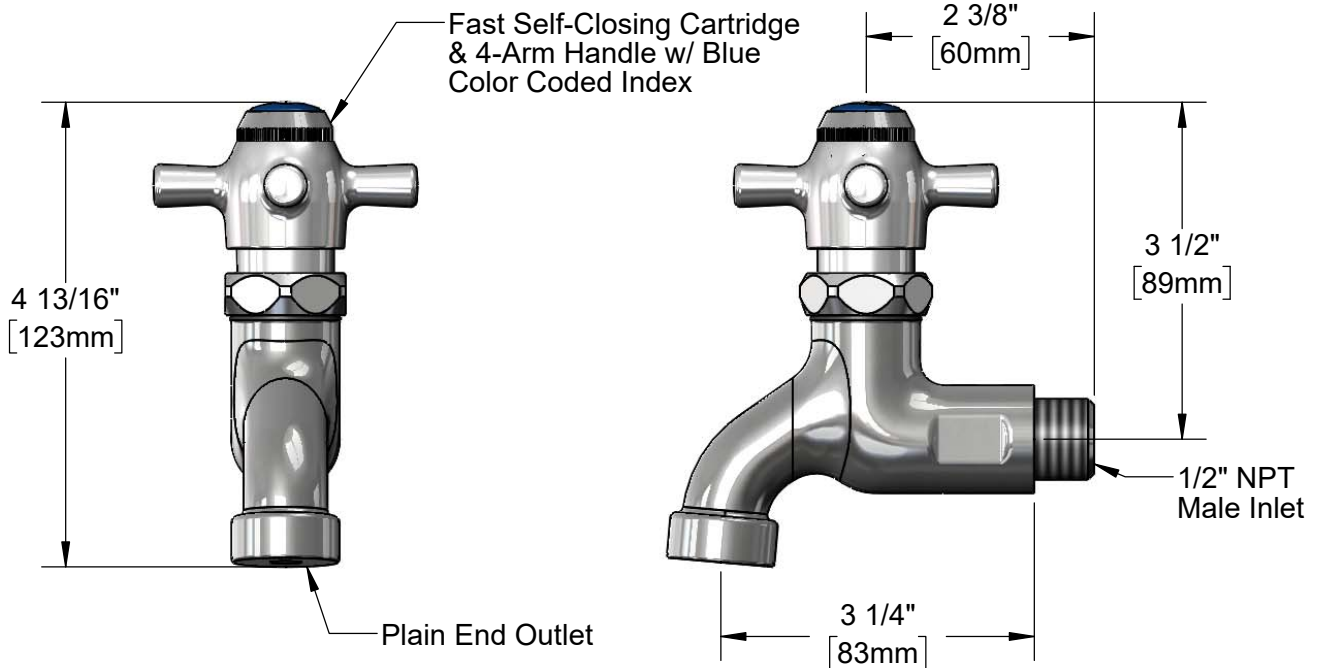
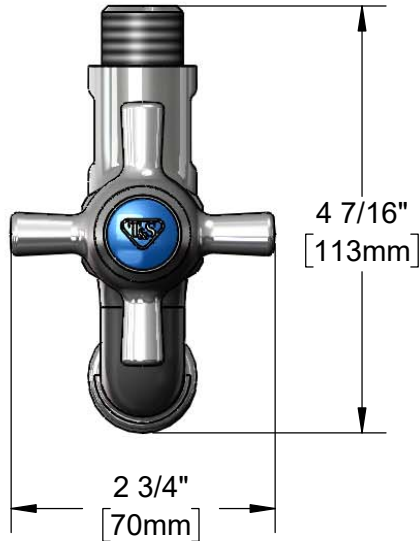
Job Name _____ Date _____

Model Specified _____ Quantity _____

Customer/Wholesaler _____

Contractor _____

Architect/Engineer _____



Rough-In Requirement:
 ϕ 1" [25mm] Mounting Hole

Product Specifications:
 Fast Self-Closing Hose Bibb Faucet, 4-Arm Handle w/ Blue Color Coded Index,
 Plain End Outlet & 1/2" NPT Male Inlet

Product Compliance:
 ASME A112.18.1 / CSA B125.1
 NSF 61 - Section 9
 NSF 372 (Low Lead Content)

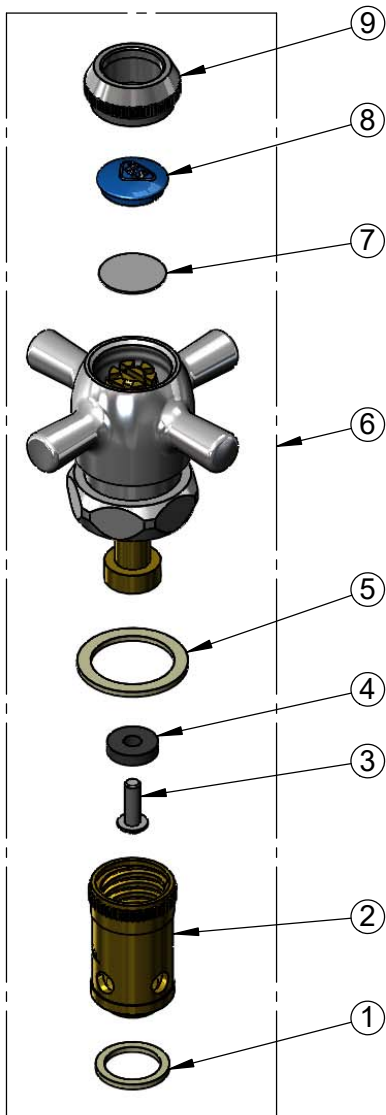


T&S BRASS AND BRONZE WORKS, INC.
 2 Saddleback Cove / P.O. Box 1088
 Travelers Rest, SC 29690

Model No.
B-0708

Item No.

Travelers Rest, SC: 800-476-4103 • Simi Valley, CA: 800-423-0150 • Fax: 864-834-3518 • www.tsbrass.com



| ITEM NO. | SALES NO. | DESCRIPTION |
|----------|-------------|----------------------------------|
| 1 | 001022-45 | Washer |
| 2 | 000789-20 | Removable Insert, LH Thread |
| 3 | 000933-45 | B-1100 Seat Washer Screw |
| 4 | 001092-45 | Seat Washer |
| 5 | 002601-45 | Washer |
| 6 | 007900-40NS | Fast Self-Closing Cold Cartridge |
| 7 | 001013-45 | Self Close Handle Disc |
| 8 | 018506-19NS | Blue Button Index, Press-in |
| 9 | 000674-40NS | Slow Close Index Ring |



Product Specifications:
 Fast Self-Closing Hose Bibb Faucet, 4-Arm Handle w/ Blue Color Coded Index,
 Plain End Outlet & 1/2" NPT Male Inlet

Product Compliance:
 ASME A112.18.1 / CSA B125.1
 NSF 61 - Section 9
 NSF 372 (Low Lead Content)