



T&S BRASS AND BRONZE WORKS, INC.

2 Saddleback Cove / P.O. Box 1088
Travelers Rest, SC 29690

Model No.

B-0695-ST

Item No.

Travelers Rest, SC: 800-476-4103 • Simi Valley, CA: 800-423-0150 • Fax: 864-834-3518 • www.tsbrass.com



ADA Compliant

This Space for Architect/Engineer Approval

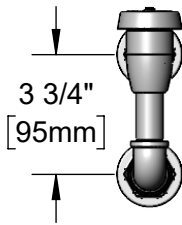
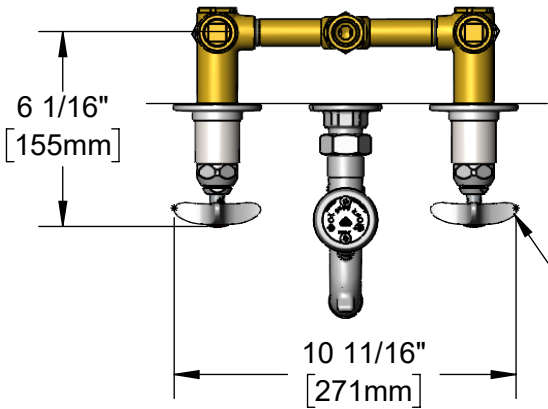
Job Name _____ Date _____

Model Specified _____ Quantity _____

Customer/Wholesaler _____

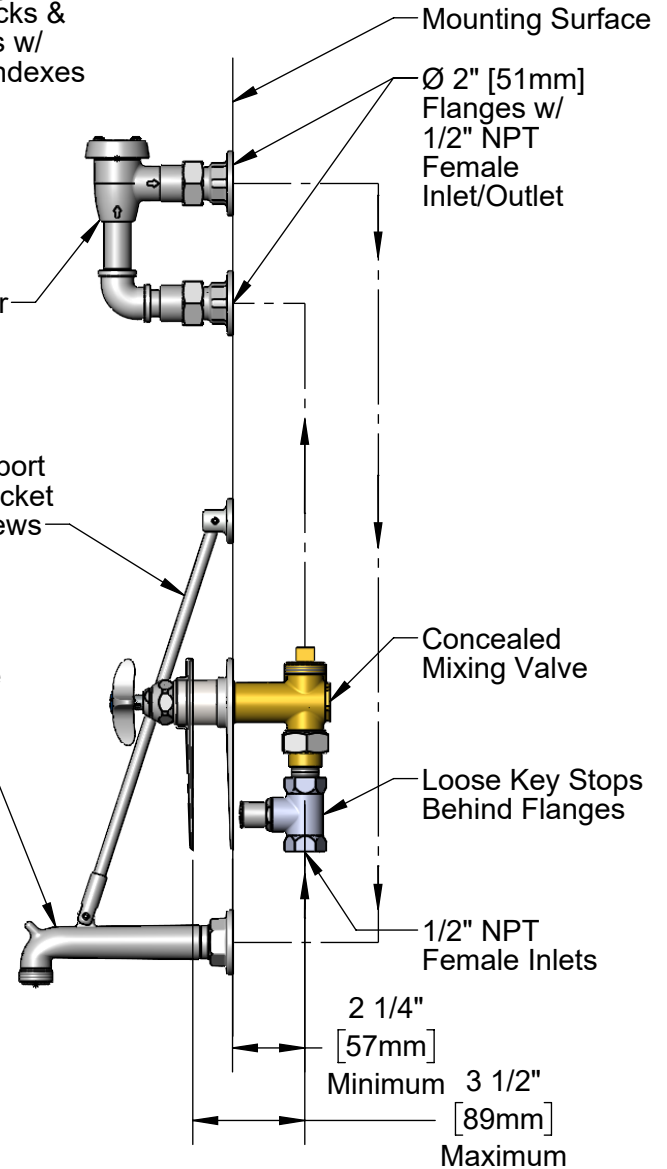
Contractor _____

Architect/Engineer _____

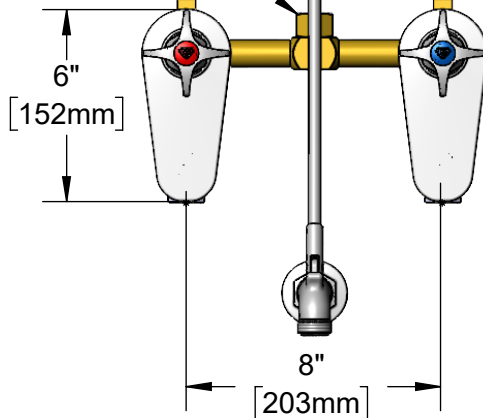


Quarter-Turn Eterna Cartridges w/ Spring Checks & 4-Arm Handles w/ Color Coded Indexes

B-0929-A
1/2" NPT Elevated Vacuum Breaker



1/2" NPT Female Outlet Behind Wall



Upper Wall Support Rod w/ Wall Bracket & Mounting Screws

Pail Hook Spout w/ Garden Hose Male Outlet

Rough-In Requirement:
(2) Ø 1 1/2" [38mm] Mounting Holes for Concealed Mixing Valve

Product Specifications:

8" Wall Mount Concealed Mixing Valve, Quarter-Turn Eterna Cartridges w/ Spring Checks, 4-Arm Handles, Loose Key Stops, Elevated Vacuum Breaker, Spout w/ Garden Hose Male Outlet & Upper Support Rod & 1/2" Female Inlets/Outlets

Product Compliance:

ASME A112.18.1 / CSA B125.1
NSF 61 - Section 9
NSF 372 (Low Lead Content)
ANSI A117.1 (ADA)
ASSE 1001 (VB)



T&S BRASS AND BRONZE WORKS, INC.

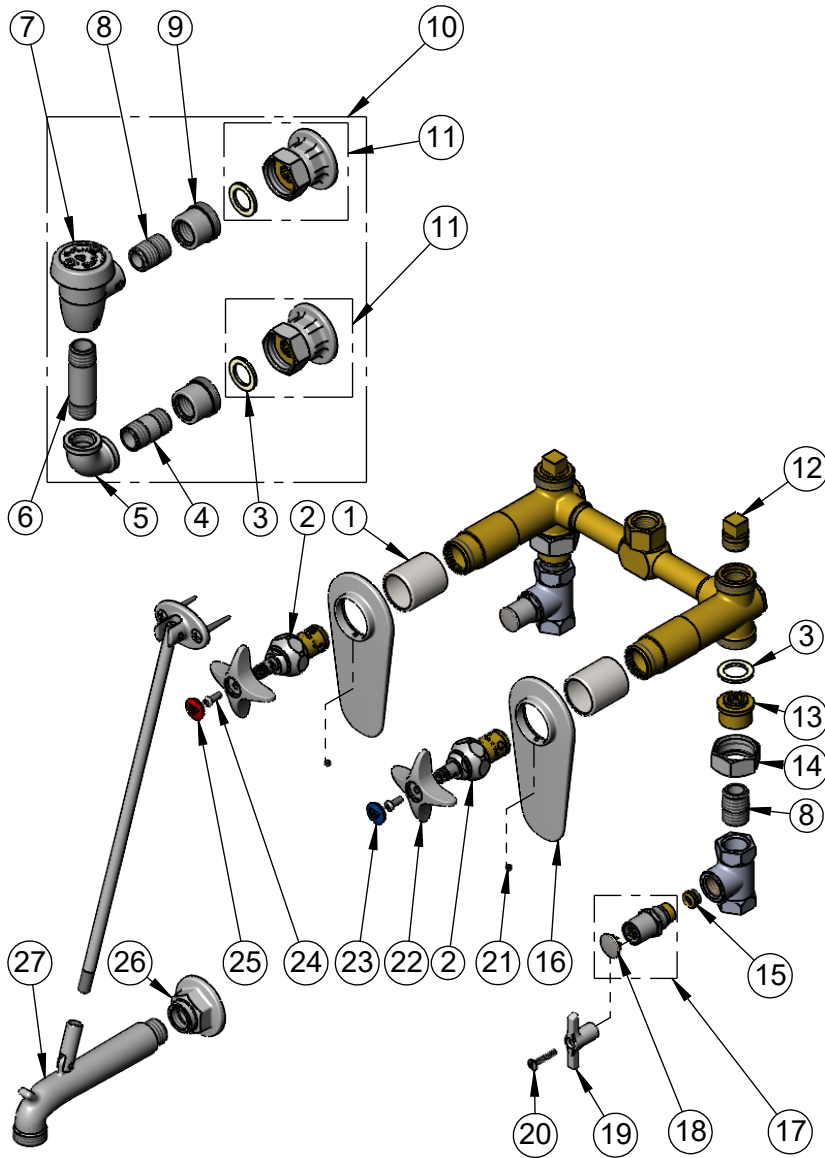
2 Saddleback Cove / P.O. Box 1088
Travelers Rest, SC 29690

Model No.

B-0695-ST

Item No.

Travelers Rest, SC: 800-476-4103 • Simi Valley, CA: 800-423-0150 • Fax: 864-834-3518 • www.tsbrass.com



ITEM NO.	SALES NO.	DESCRIPTION
1	151F	Escutcheon Tube
2	012443-40NS	Quarter-Turn Eterna Cartridge w/ Spring Check, RTC
3	001019-45	Coupling Nut Washer
4	001509-40	Nipple, 1/2" NPT x 1 1/2"
5	001357-40	1/2" NPT Elbow
6	001510-40	Nipple, 1/2" NPT x 2 5/8"
7	B-0969	1/2" NPT Vacuum Breaker
8	002534-25	Close Nipple, 1/2" NPT
9	000870-40	Union, Male Half
10	B-0929-A	1/2" NPT Atmospheric Vacuum Breaker
11	00AA	1/2" NPT Eccentric Female Flange
12	001347-20	1/2" NPT Plug
13	153F	Union Half, 1/2 NPT w/ Washer
14	000721-25	Flange Coupling Nut
15	000763-20	Seat
16	002820-40	Tear-Drop Escutcheon
17	002892-40	Stop Spindle w/ Cap
18	001605-45	Cap
19	001802-45	Handle, Supply Stop Tee
20	002432-45	Screw, Tee Handle
21	000939-45	Escutcheon, Set Screw
22	002521-45NS	4-Arm Handle (New Style)
23	018506-19NS	Blue Button Index, Press-in
24	000925-45	Lab Handle Screw
25	001193-19NS	Red Button Index, Press-in
26	B-0445	1" Faucet Inlet Extension
27	009545-40	Spout w/ Male GH Outlet & Upper Clevis - Polished Chrome

Product Specifications:

8" Wall Mount Concealed Mixing Valve, Quarter-Turn Eterna Cartridges w/ Spring Checks, 4-Arm Handles, Loose Key Stops, Elevated Vacuum Breaker, Spout w/ Garden Hose Male Outlet & Upper Support Rod & 1/2" Female Inlets/Outlets

Product Compliance:

ASME A112.18.1 / CSA B125.1
NSF 61 - Section 9
NSF 372 (Low Lead Content)
ANSI A117.1 (ADA)
ASSE 1001 (VB)