



T&S BRASS AND BRONZE WORKS, INC.
 2 Saddleback Cove / P.O. Box 1088
 Travelers Rest, SC 29690

Model No.

B-0694-ST

Item No.

Travelers Rest, SC: 800-476-4103 • Simi Valley, CA: 800-423-0150 • Fax: 864-834-3518 • www.tsbrass.com

This Space for Architect/Engineer Approval

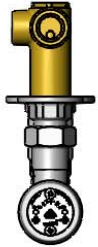
Job Name _____ Date _____

Model Specified _____ Quantity _____

Customer/Wholesaler _____

Contractor _____

Architect/Engineer _____



Ø2"
[51mm]
Flanges



6" Adjustable
Tear-Drop
Escutcheon



Ø2" [51mm]
Flange Elbow
w/ 12" NPT
Female Inlet

Item Not Show
For Clarity

Mounting Surface

3 5/8"
[92mm]

3 3/4"
[95mm]

2 1/4"
[57mm]

Loose Key
Shut Off Valve

48" Vinyl Hose w/
Plain End Outlet

12" NPT
Female
Outlet

12" NPT
Female
Inlet

12" NPT
Female
Outlet

12" NPT
Female
Inlet



Loose Key &
Screw (Included)

Product Specifications:

Bed Pan Washer w/ Single Temperature Supply, Loose Key Style Eterna Cartridge w/ Spring Check, Atmospheric Vacuum Breaker & 48" Vinyl Hose w/ Plain End Outlet

Product Compliance:

ASME A112.18.1 / CSA B125.1
 NSF 61 Exempt (Non-Potable)
 ASSE 1001 (VB)

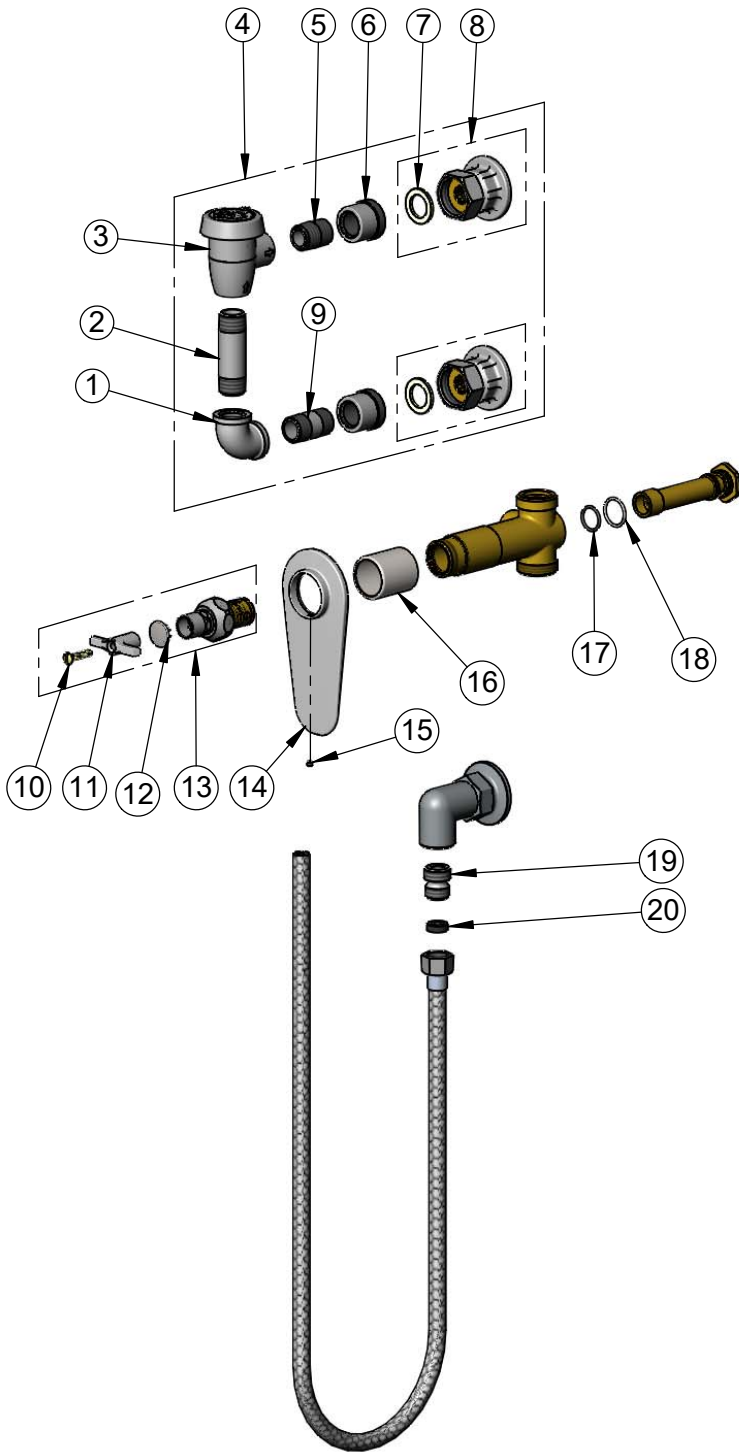


T&S BRASS AND BRONZE WORKS, INC.
 2 Saddleback Cove / P.O. Box 1088
 Travelers Rest, SC 29690

Model No.
B-0694-ST

Item No.

Travelers Rest, SC: 800-476-4103 • Simi Valley, CA: 800-423-0150 • Fax: 864-834-3518 • www.tsbrass.com



ITEM NO.	SALES NO.	DESCRIPTION
1	001357-40	Cast Elbow, 1/2"
2	001510-40	Nipple, 1/2" x 2-5/8"
3	B-0969	1/2" NPT Vacuum Breaker
4	B-0929-A	1/2" NPT Atmospheric Vacuum Breaker
5	002534-25	Close Nipple, 1/2" NPT
6	000870-40	Union, Male Half
7	001019-45	Coupling Nut Washer
8	00AA	1/2" NPT Female Eccentric Flange
9	001509-40	Nipple, 1/2" NPT X 1 1/2" Lg.
10	002432-45	Screw, Tee Handle
11	001802-45	Handle, Supply Stop "T"
12	001605-45	Cap
13	124A-NS	Loose Key Stop Eterna Cartridge w/ Spring Check, T-Handle Screw & Cap
14	002820-40	Tear-Drop Escutcheon
15	000939-45	Escutcheon, Set Screw
16	151F	Escutcheon Tube
17	001062-45	O-Ring
18	001702-45	O-Ring
19	055A	Adapter, 1/2 NPT Male
20	010476-45	#27 Washer

Product Specifications:
 Bed Pan Washer w/ Single Temperature Supply, Loose Key Style Eterna Cartridge w/ Spring Check, Atmospheric Vacuum Breaker & 48" Vinyl Hose w/ Plain End Outlet

Product Compliance:
 ASME A112.18.1 / CSA B125.1
 NSF 61 Exempt (Non-Potable)
 ASSE 1001 (VB)