



T&S BRASS AND BRONZE WORKS, INC.

2 Saddleback Cove / P.O. Box 1088
Travelers Rest, SC 29690

Model No.

B-0689

Item No.

Travelers Rest, SC: 800-476-4103 • Simi Valley, CA: 800-423-0150 • Fax: 864-834-3518 • www.tsbrass.com



ADA Compliant

This Space for Architect/Engineer Approval

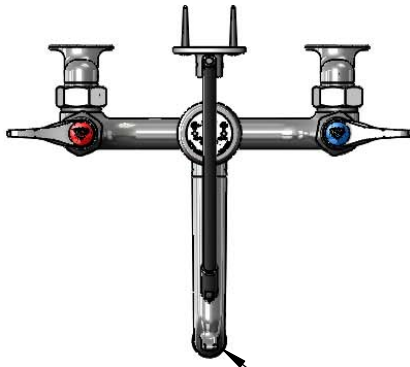
Job Name _____ Date _____

Model Specified _____ Quantity _____

Customer/Wholesaler _____

Contractor _____

Architect/Engineer _____



Garden Hose Male Outlet



Upper Wall Support Rod w/ Wall Bracket & Mounting Screws

Mounting Surface

14 3/8"
[365mm]

B-0969
1/2" NPT Vacuum Breaker

Quarter-Turn Eterna Cartridges w/ Spring Checks & Lever Handles w/ Color Coded Indexes

3 3/4"
[95mm]

Ø 2" [51mm] Flanges w/ 1/2" NPT Female Inlets

Adjustable from 3 1/4" to 12 3/4" [82mm to 324mm] Above and Below CenterLine

2 11/16"
[69mm]

9 3/16"
[233mm]

Furnished w/ (2) Supply Stops, 1/2" NPT Female Inlet

Furnished w/ (2) 36" Flexible Supply Hoses, 1/2" NPT Male x 1/2" NPSM Female Connector

Furnished w/ (2) Supply Nipple Elbows

Product Specifications:

Adjustable Wall Mount Service Sink Faucet, Quarter-Turn Eterna Cartridges w/ Spring Checks, Lever Handles, 1/2" NPT Adjustable Inlets w/ Supply Stops, Male Garden Hose Outlet, Polished Chrome Finish & 1/2" NPT Vacuum Breaker

Product Compliance:

ASME A112.18.1 / CSA B125.1
NSF 61 - Section 9
NSF 372 (Low Lead Content)
ANSI A117.1 (ADA)
ASSE 1001 (VB)



T&S BRASS AND BRONZE WORKS, INC.

2 Saddleback Cove / P.O. Box 1088
Travelers Rest, SC 29690

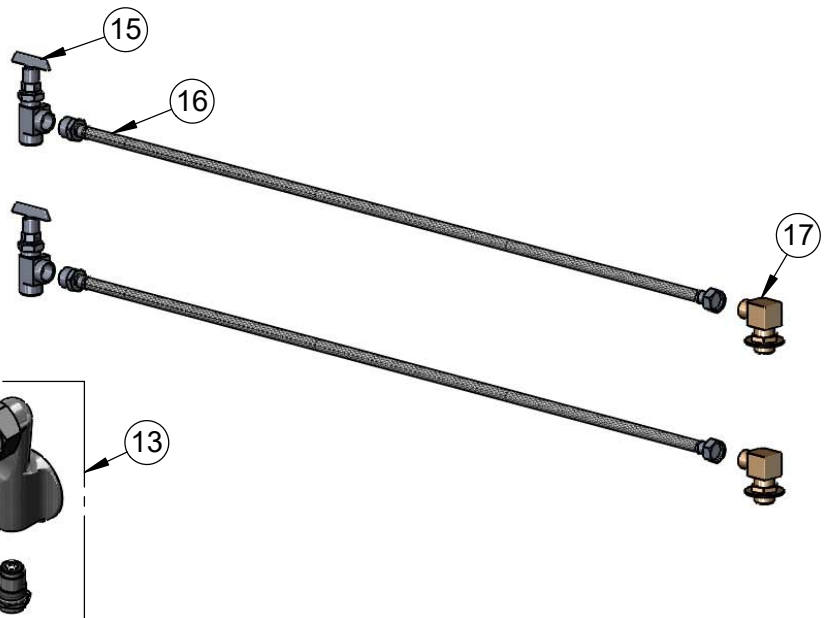
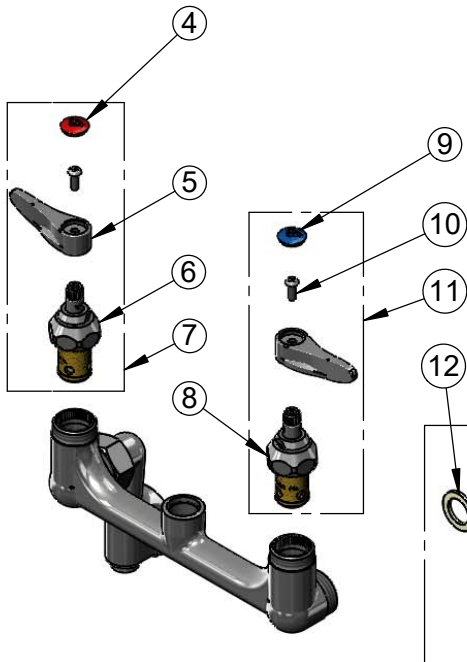
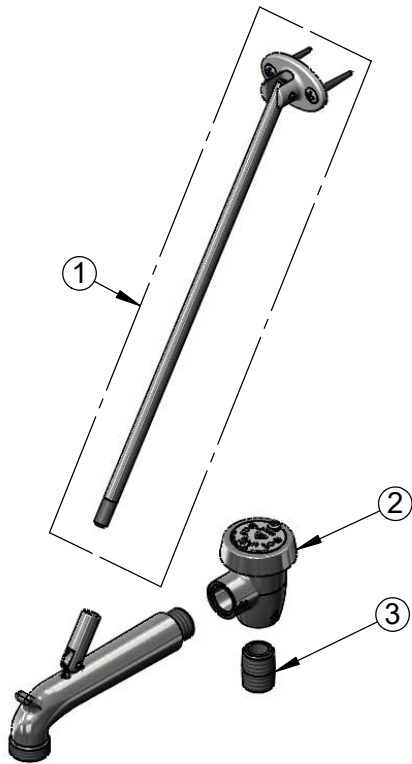
Model No.

B-0689

Item No.

Travelers Rest, SC: 800-476-4103 • Simi Valley, CA: 800-423-0150 • Fax: 864-834-3518 • www.tsbrass.com

ITEM NO.	SALES NO.	DESCRIPTION
1	009546-40	Supt Rod B-0665 - Polish Chrome
2	B-0969	1/2" NPT Vacuum Breaker
3	002534-25	Close Nipple, 1/2" NPT
4	001193-19NS	Red Button Index, Press-in
5	001638-45NS	Lever Handle (New Style)
6	012443-40NS	Quarter-Turn Eterna Cartridge w/ Spring Check, RTC
7	002712-40NS	Quarter-Turn Eterna Cartridge w/ Spring Check, Handle, Red Index & Screw, RTC
8	012442-40NS	Quarter-Turn Eterna Cartridge w/ Spring Check, LTC
9	018506-19NS	Blue Button Index, Press-in
10	000925-45	Lab Handle Screw
11	002711-40NS	Quarter-Turn Eterna Cartridge w/ Spring Check, Handle, Blue Index & Screw, LTC
12	001019-45	Coupling Nut Washer
13	00XX	1/2" NPT Adjustable Inlet Flange w/ Screw Driver Stop
14	163A	Built-In Service Stop
15	B-0418	Supply Stop w/ 1/2" NPT Inlet
16	013121-45	Flexible Supply Hoses, 36" w/ 1/2" NPT Male and 1/2" NPSM Female
17	B-0230-K	Elbow Kit, Supply Nipple (2 Per Kit)



Product Specifications:

Adjustable Wall Mount Service Sink Faucet, Quarter-Turn Eterna Cartridges w/ Spring Checks, Lever Handles, 1/2" NPT Adjustable Inlets w/ Supply Stops, Male Garden Hose Outlet, Polished Chrome Finish & 1/2" NPT Vacuum Breaker

Product Compliance:

ASME A112.18.1 / CSA B125.1
NSF 61 - Section 9
NSF 372 (Low Lead Content)
ANSI A117.1 (ADA)
ASSE 1001 (VB)