



# T&S BRASS AND BRONZE WORKS, INC.

2 Saddleback Cove / P.O. Box 1088  
Travelers Rest, SC 29690

Model No.

**B-0682-107**

Item No.

Travelers Rest, SC: 800-476-4103 • Simi Valley, CA: 800-423-0150 • Fax: 864-834-3518 • www.tsbrass.com

This Space for Architect/Engineer Approval

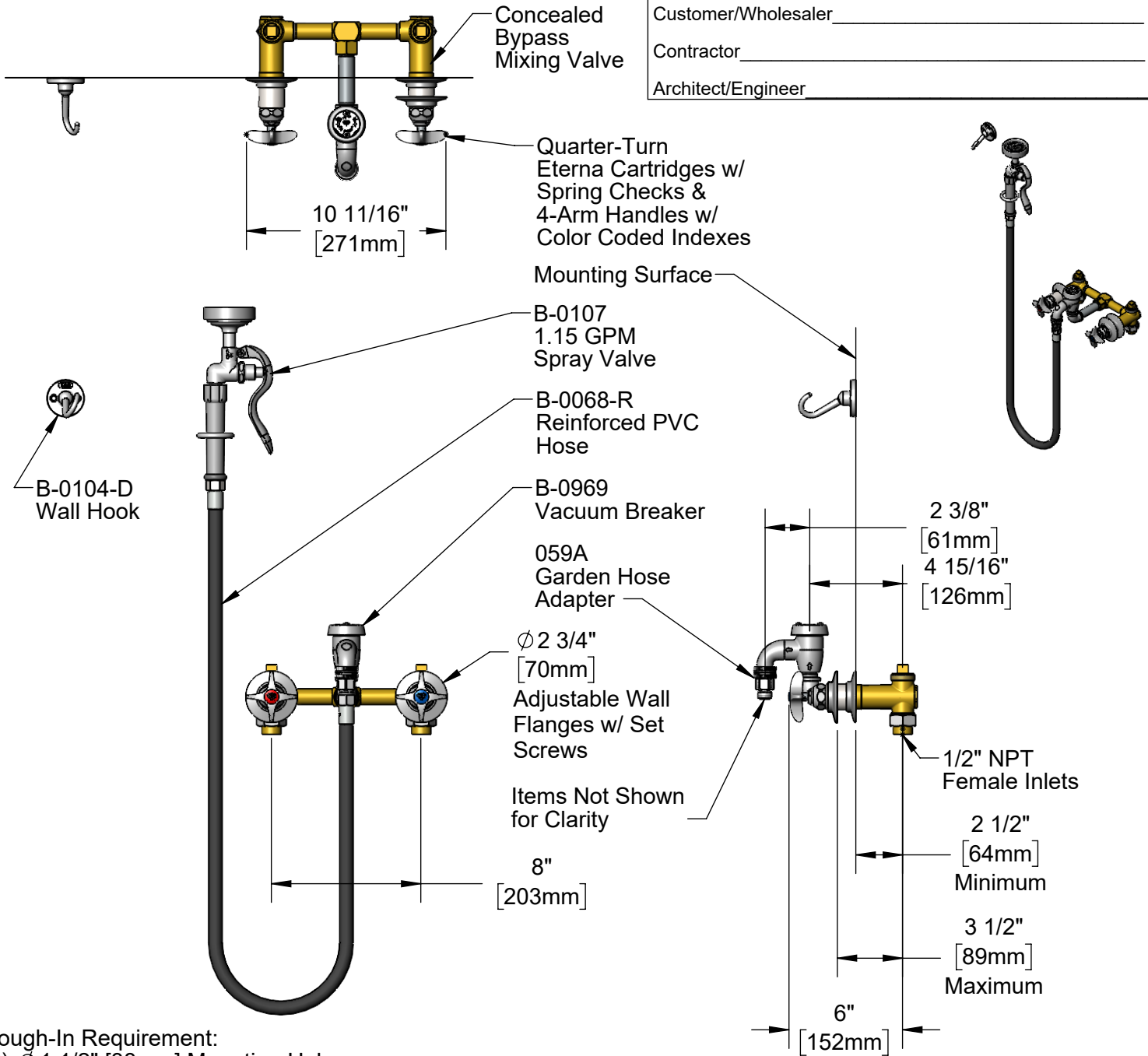
Job Name \_\_\_\_\_ Date \_\_\_\_\_

Model Specified \_\_\_\_\_ Quantity \_\_\_\_\_

Customer/Wholesaler \_\_\_\_\_

Contractor \_\_\_\_\_

Architect/Engineer \_\_\_\_\_



**Rough-In Requirement:**  
(2) ϕ 1 1/2" [38mm] Mounting Holes for Concealed Mixing Valve

**Product Specifications:**

Bedpan Washer, Quarter-Turn Eterna Cartridges w/ Spring Checks, 4-Arm Handles, Concealed Bypass Mixing Valve, Vacuum Breaker, 68" Reinforced PVC Hose, 1.15 GPM Spray Valve, Wall Hook & 1/2" NPT Female Inlets

**Product Compliance:**

ASME A112.18.1 / CSA B125.1  
NSF 61 Exempt (Non-Potable)  
NSF 372 (Low Lead Content)  
ASSE 1001 (VB)  
2019 DOE PRSV - Class II



# T&S BRASS AND BRONZE WORKS, INC.

2 Saddleback Cove / P.O. Box 1088  
Travelers Rest, SC 29690

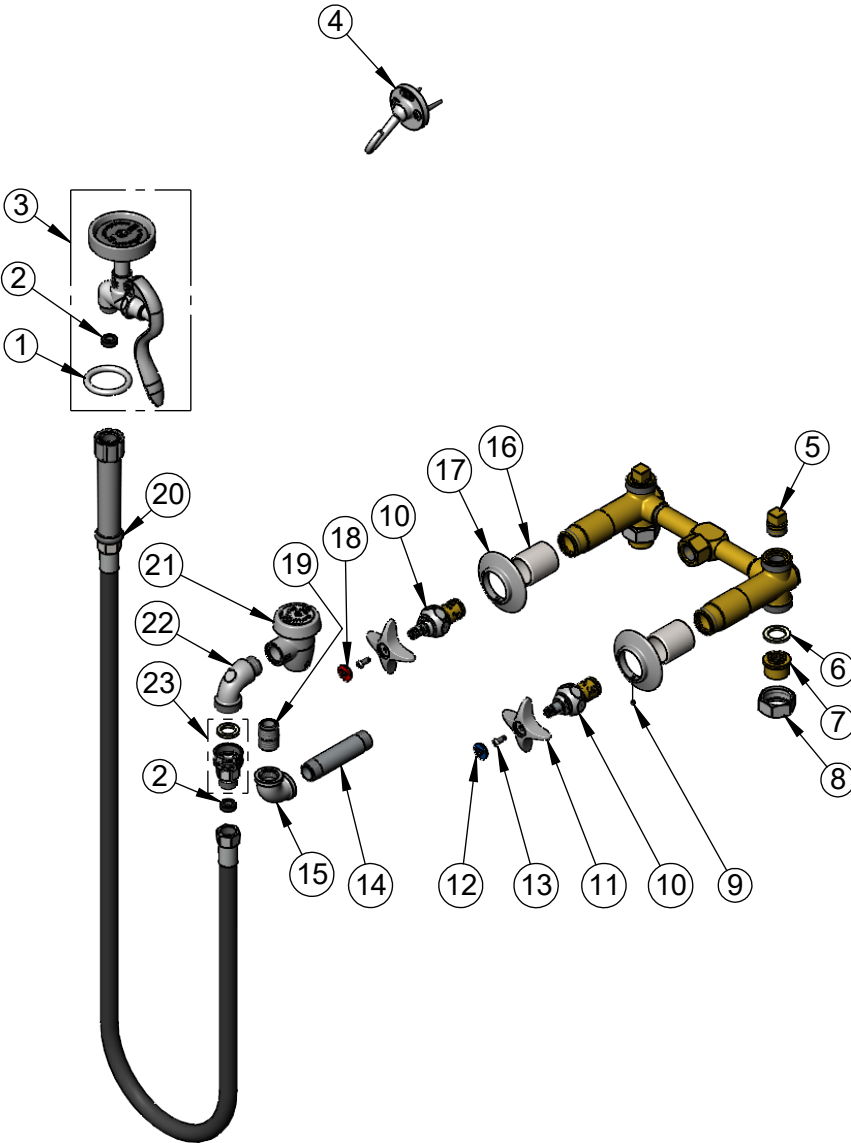
Model No.

**B-0682-107**

Item No.

Travelers Rest, SC: 800-476-4103 • Simi Valley, CA: 800-423-0150 • Fax: 864-834-3518 • www.tsbrass.com

ITEM NO.	SALES NO.	DESCRIPTION
1	000907-45	Spray Valve Hold Down Ring
2	010476-45	#27 Washer
3	B-0107	1.15 GPM Spray Valve
4	B-0104-D	Wall Hook
5	001347-20	1/2" NPT Square Head Plug
6	001019-45	Coupling Nut Washer
7	153F	Union Half, 1/2 NPT w/ Washer
8	000721-25	Flange Coupling Nut
9	000939-45	Escutcheon, Set Screw
10	012443-40NS	Quarter-Turn Eterna Cartridge w/ Spring Check, RTC
11	002521-45	4-Arm Handle (New Style)
12	018506-19NS	Blue Button Index, Press-in
13	000925-45	Lab Handle Screw
14	002556-40	Nipple, 1/2" x 3 1/2"
15	001357-40	Cast Elbow, 1/2"
16	151F	Escutcheon Tube
17	001501-40	Escutcheon
18	001193-19NS	Red Button Index, Press-in
19	002534-25	Close Nipple, 1/2" NPT
20	B-0068-R	68" Reinforced PVC Hose w/ Handle
21	B-0969	1/2" NPT Vacuum Breaker
22	001618-40	Spout, Short
23	059A	Adapter, Garden Hose Female x 3/4"-14UN Male



**Product Specifications:**  
 Bedpan Washer, Quarter-Turn Eterna Cartridges w/ Spring Checks, 4-Arm Handles, Concealed Bypass Mixing Valve, Vacuum Breaker, 68" Reinforced PVC Hose, 1.15 GPM Spray Valve, Wall Hook & 1/2" NPT Female Inlets

**Product Compliance:**  
 ASME A112.18.1 / CSA B125.1  
 NSF 61 Exempt (Non-Potable)  
 NSF 372 (Low Lead Content)  
 ASSE 1001 (VB)  
 2019 DOE PRSV - Class II