



# T&S BRASS AND BRONZE WORKS, INC.

2 Saddleback Cove / P.O. Box 1088  
Travelers Rest, SC 29690

Model No.

**B-0676**

Item No.

Travelers Rest, SC: 800-476-4103 • Simi Valley, CA: 800-423-0150 • Fax: 864-834-3518 • www.tsbrass.com

This Space for Architect/Engineer Approval

Job Name \_\_\_\_\_ Date \_\_\_\_\_

Model Specified \_\_\_\_\_ Quantity \_\_\_\_\_

Customer/Wholesaler \_\_\_\_\_

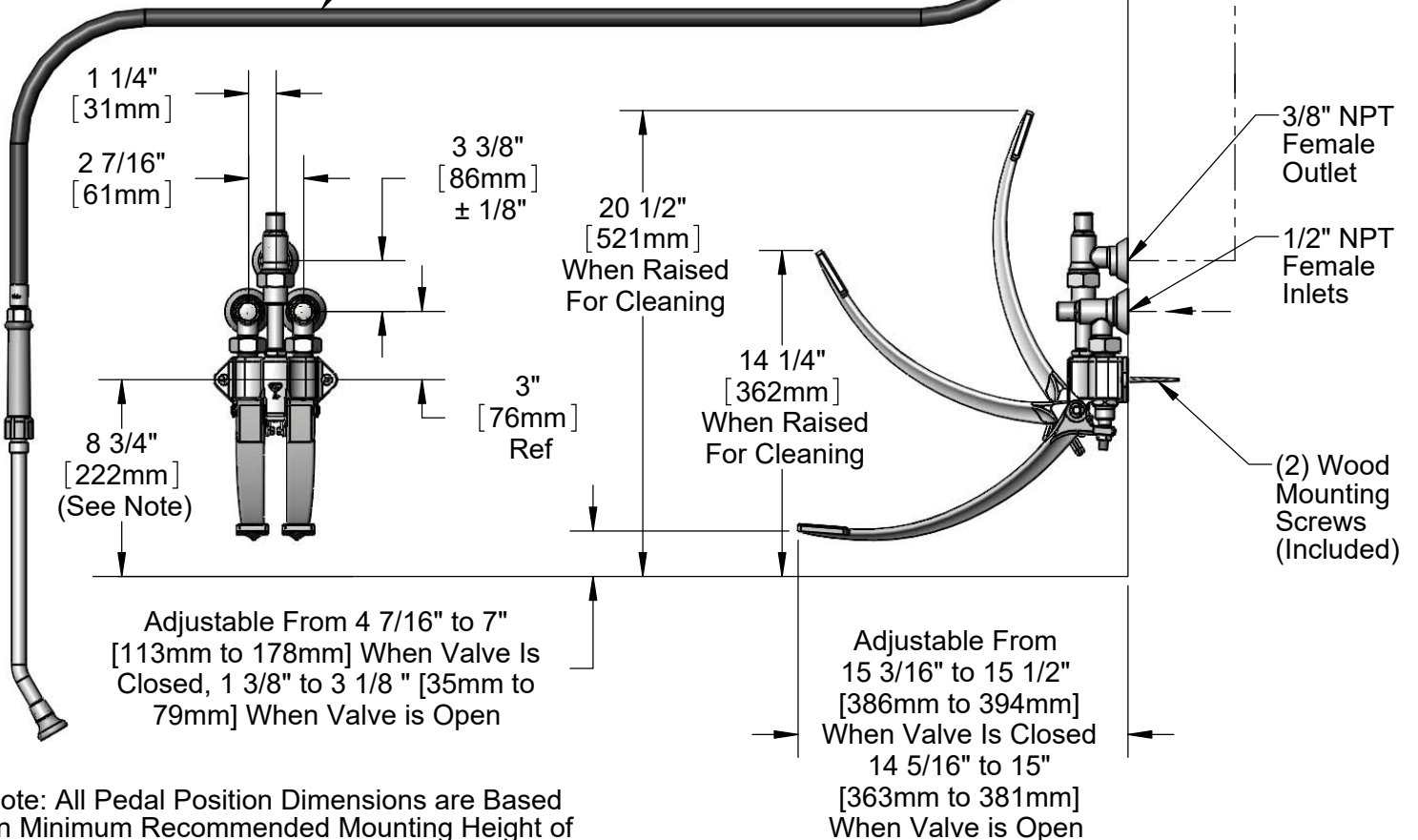
Contractor \_\_\_\_\_

Architect/Engineer \_\_\_\_\_



Tee Handle & Mounting  
Screw (Included)

**B-0068-R**  
68" Reinforced PVC Hose  
& Extended Nozzle



Note: All Pedal Position Dimensions are Based on Minimum Recommended Mounting Height of 8 3/4" [222mm] Above Finished Floors.

Product Specifications:

Bedpan Washer, Foot Valve Control, Integral Loose Key Stops, Vacuum Breaker & Extended Nozzle

Product Compliance:

ASME A112.18.1 / CSA B125.1  
ASSE 1001 (VB)

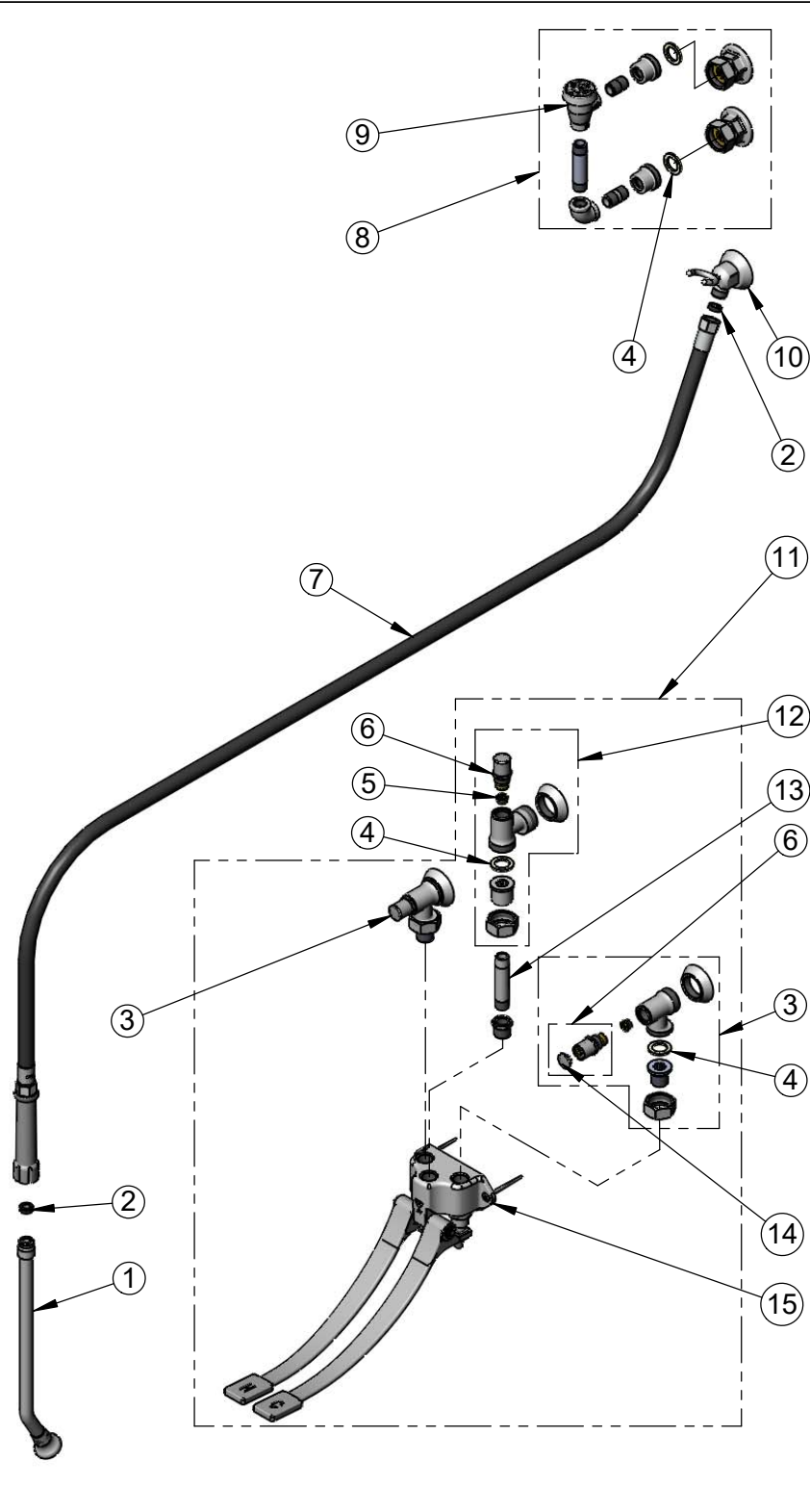


**T&S BRASS AND BRONZE WORKS, INC.**  
 2 Saddleback Cove / P.O. Box 1088  
 Travelers Rest, SC 29690

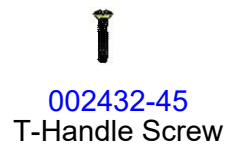
Model No.  
**B-0676**

Item No.

Travelers Rest, SC: 800-476-4103 • Simi Valley, CA: 800-423-0150 • Fax: 864-834-3518 • www.tsbrass.com



ITEM NO.	SALES NO.	DESCRIPTION
1	002861-40	Bed Pan Spray Nozzle
2	010476-45	#27 Washer
3	B-1350	Loose Key 1/2" NPT Angle Stop w/ Tee Handle
4	001019-45	Coupling Nut Washer
5	000763-20	Seat
6	166A	Service Stop Spindle w/ Tee Handle & Screw
7	B-0068-R	68" Reinforced PVC Hose
8	B-0929	Atmospheric Vacuum Breaker
9	B-0968	3/8" NPT Vacuum Breaker
10	B-0104	Wall Hook, 3/4-14 UN Male Outlet
11	B-0504-01	Wall Mount Double Pedal Valve w/ Angle Stops
12	B-1355	Loose Key 3/8" NPT Angle Stop w/ Tee Handle & Screw
13	010092-40	Nipple, 3/8" NPT x 4 1/4" Long
14	001605-45	Cap
15	B-0504	Wall Mount Double Pedal Valve



Product Specifications:  
 Bedpan Washer, Foot Valve Control, Integral Loose Key Stops, Vacuum Breaker & Extended Nozzle

Product Compliance:  
 ASME A112.18.1 / CSA B125.1  
 ASSE 1001 (VB)