



# T&S BRASS AND BRONZE WORKS, INC.

2 Saddleback Cove / P.O. Box 1088  
Travelers Rest, SC 29690

Model No.

**B-0674-POL**

Item No.

Travelers Rest, SC: 800-476-4103 • Simi Valley, CA: 800-423-0150 • Fax: 864-834-3518 • www.tsbrass.com



**ADA Compliant**

This Space for Architect/Engineer Approval

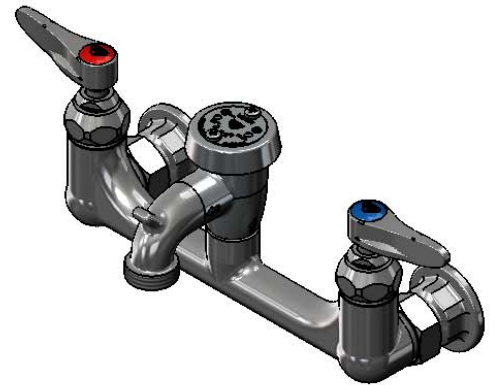
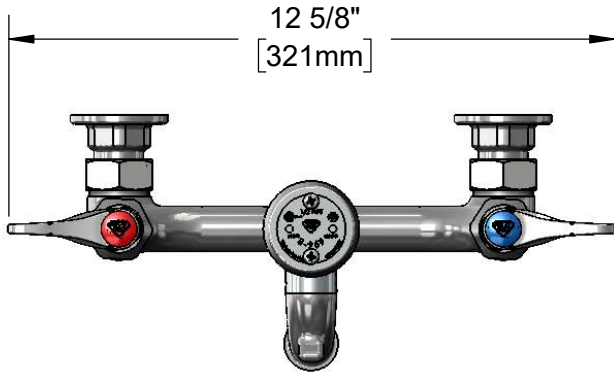
Job Name \_\_\_\_\_ Date \_\_\_\_\_

Model Specified \_\_\_\_\_ Quantity \_\_\_\_\_

Customer/Wholesaler \_\_\_\_\_

Contractor \_\_\_\_\_

Architect/Engineer \_\_\_\_\_

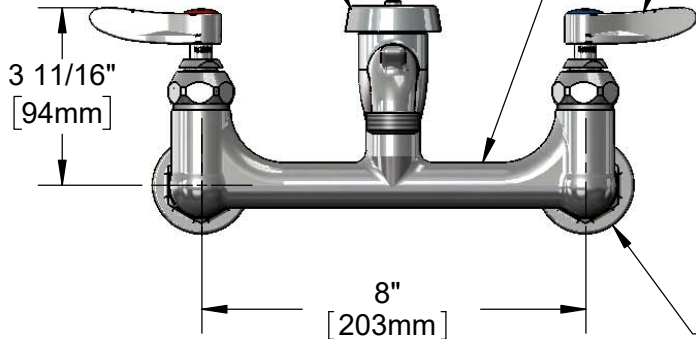


**B-0969**  
1/2" NPT  
Atmospheric  
Vacuum  
Breaker

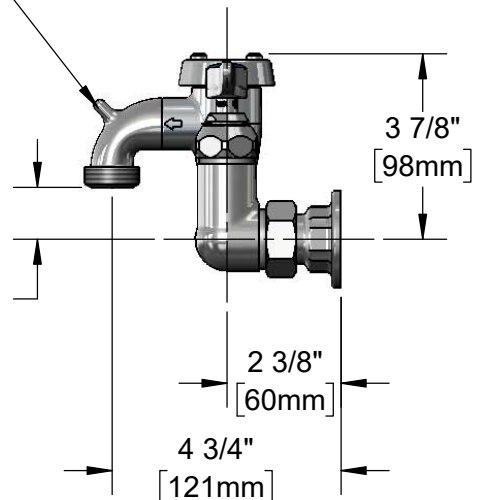
Polished Chrome  
Finish on Faucet  
Body & Spout

Quarter-Turn Eterna  
Cartridges w/ Spring  
Checks & Lever Handles  
w/ Color Coded Indexes

Spout w/ Pail Hook  
& Garden Hose Male  
Outlet



1 1/16"  
[27mm]



Adjustable From  
7 3/4" to 8 1/4"  
[197mm to 210mm]

Ø 2" [51mm]  
Flanges w/  
1/2" NPT  
Female Inlets

**Product Specifications:**

8" Wall Mount Polished Chrome Service Sink Faucet, Quarter-Turn Eterna Cartridges w/ Spring Checks, Lever Handles, Garden Hose Male Outlet, Spout w/ Pail Hook, 1/2" NPT Vacuum Breaker & 1/2" NPT Female Inlets

**Product Compliance:**

ASME A112.18.1 / CSA B125.1  
NSF 61 - Section 9  
NSF 372 (Low Lead Content)  
ANSI A117.1 (ADA)  
ASSE 1001 (VB)



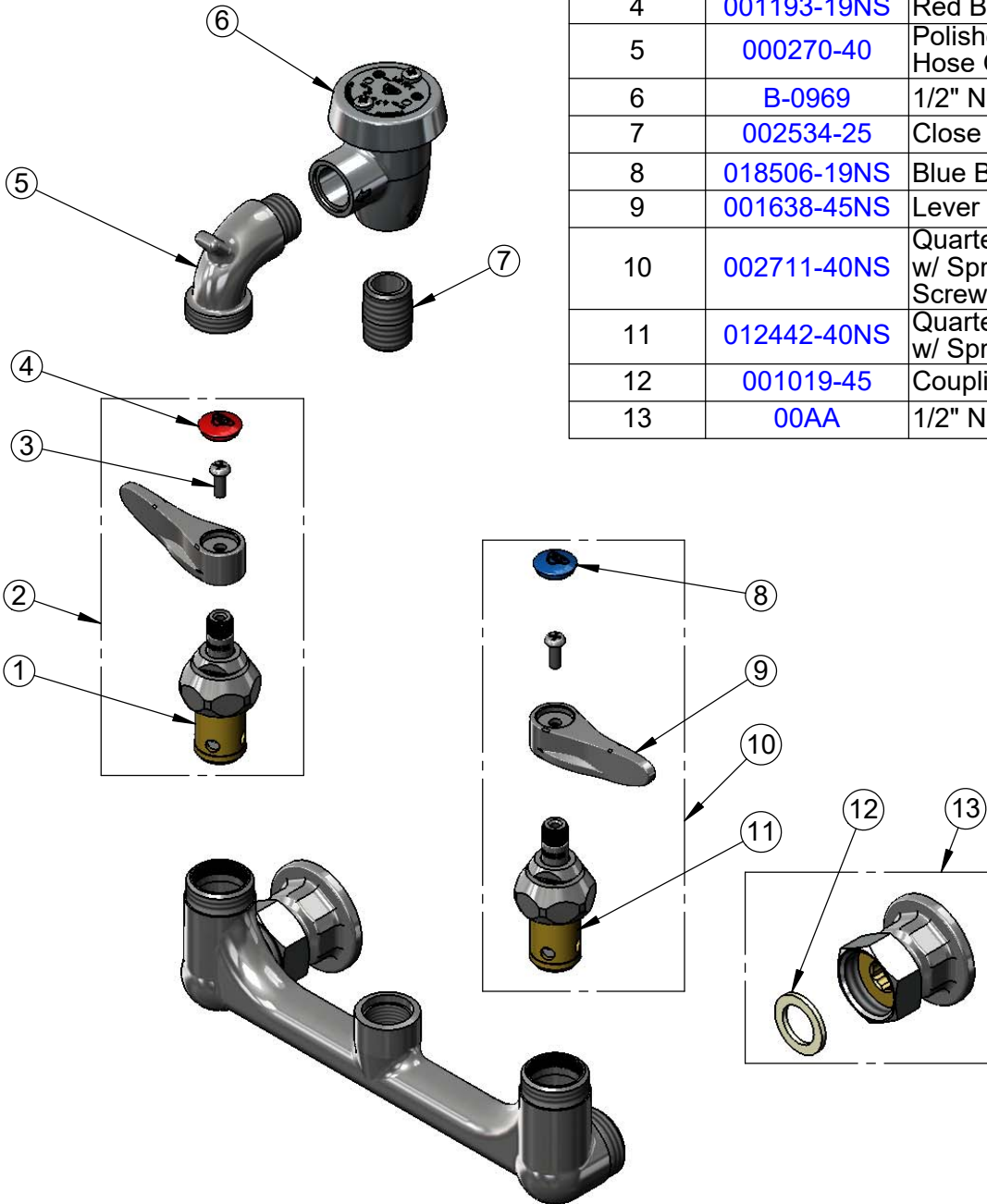
**T&S BRASS AND BRONZE WORKS, INC.**  
 2 Saddleback Cove / P.O. Box 1088  
 Travelers Rest, SC 29690

Model No.  
**B-0674-POL**

Item No.

Travelers Rest, SC: 800-476-4103 • Simi Valley, CA: 800-423-0150 • Fax: 864-834-3518 • www.tsbrass.com

| ITEM NO. | SALES NO.   | DESCRIPTION   |
|----------|-------------|---|
| 1        | 012443-40NS | Quarter-Turn Eterna Cartridge, RTC w/ Spring Check                        |
| 2        | 002712-40NS | Quarter-Turn Eterna Cartridge, RTC w/ Spring Check, Handle, Index & Screw |
| 3        | 000925-45   | Lab Handle Screw  |
| 4        | 001193-19NS | Red Button Index, Press-in  |
| 5        | 000270-40   | Polished Chrome Spout w/ Garden Hose Outlet                               |
| 6        | B-0969      | 1/2" NPT Vacuum Breaker   |
| 7        | 002534-25   | Close Nipple, 1/2"  |
| 8        | 018506-19NS | Blue Button Index, Press-in   |
| 9        | 001638-45NS | Lever Handle (New Style)  |
| 10       | 002711-40NS | Quarter-Turn Eterna Cartridge, LTC w/ Spring Check, Handle, Index & Screw |
| 11       | 012442-40NS | Quarter-Turn Eterna Cartridge, LTC w/ Spring Check                        |
| 12       | 001019-45   | Coupling Nut Washer   |
| 13       | 00AA        | 1/2" NPT Coupling Flange  |



**Product Specifications:**  
 8" Wall Mount Polished Chrome Service Sink Faucet, Quarter-Turn Eterna Cartridges w/ Spring Checks, Lever Handles, Garden Hose Male Outlet, Spout w/ Pail Hook, 1/2" NPT Vacuum Breaker & 1/2" NPT Female Inlets

**Product Compliance:**  
 ASME A112.18.1 / CSA B125.1  
 NSF 61 - Section 9  
 NSF 372 (Low Lead Content)  
 ANSI A117.1 (ADA)  
 ASSE 1001 (VB)