



T&S BRASS AND BRONZE WORKS, INC.

2 Saddleback Cove / P.O. Box 1088
Travelers Rest, SC 29690

Model No.

B-0674-BSTP

Item No.

Travelers Rest, SC: 800-476-4103 • Simi Valley, CA: 800-423-0150 • Fax: 864-834-3518 • www.tsbrass.com



ADA Compliant

This Space for Architect/Engineer Approval

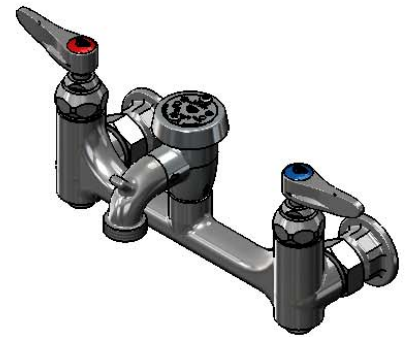
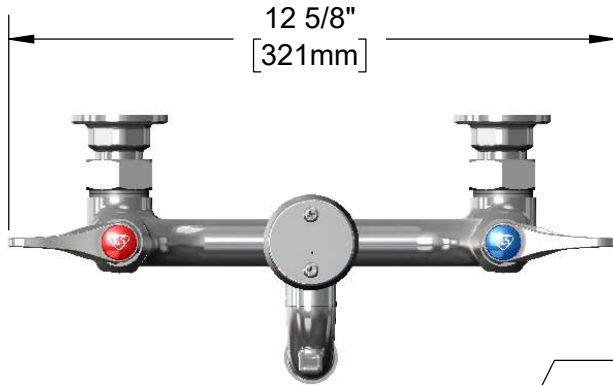
Job Name _____ Date _____

Model Specified _____ Quantity _____

Customer/Wholesaler _____

Contractor _____

Architect/Engineer _____



B-0969
1/2" NPT Vacuum
Breaker

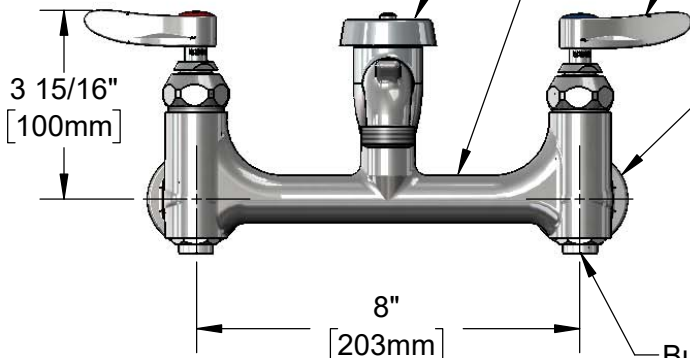
Polished Chrome
Finish on Faucet
Body & Spout

Pail Hook Spout
w/ Garden Hose
Male Outlet

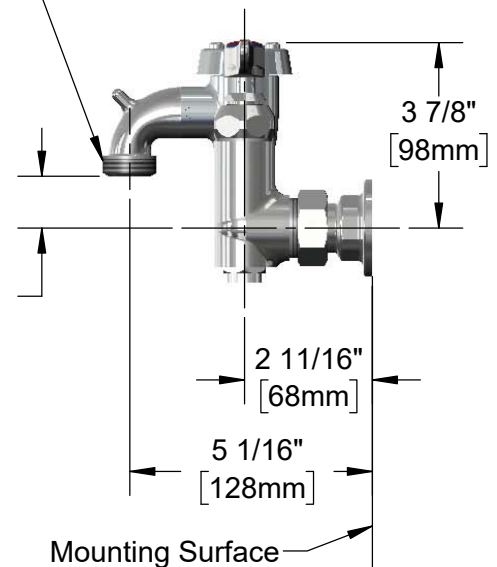
Quarter-Turn
Eterna Cartridges w/
Spring Checks &
Lever Handles w/
Color Coded Indexes

Ø 2" [51mm]
Flanges w/
1/2" NPT
Female Inlets

Built-In Service
Stops



Adjustable From
7 3/4" to 8 1/4"
[197mm to 210mm]



Product Specifications:

Wall Mount Service Sink Faucet, Quarter-Turn Eterna Cartridges w/ Spring Checks, Lever Handles, Pail Hook Spout w/ Garden Hose Male Outlet, Polish Chrome Finish, Built-In Service Stops & 1/2" NPT Female Adjustable Inlets

Product Compliance:

ASME A112.18.1 / CSA B125.1
NSF 61 - Section 9
NSF 372 (Low Lead Content)
ANSI A117.1 (ADA)
ASSE 1001 (VB)



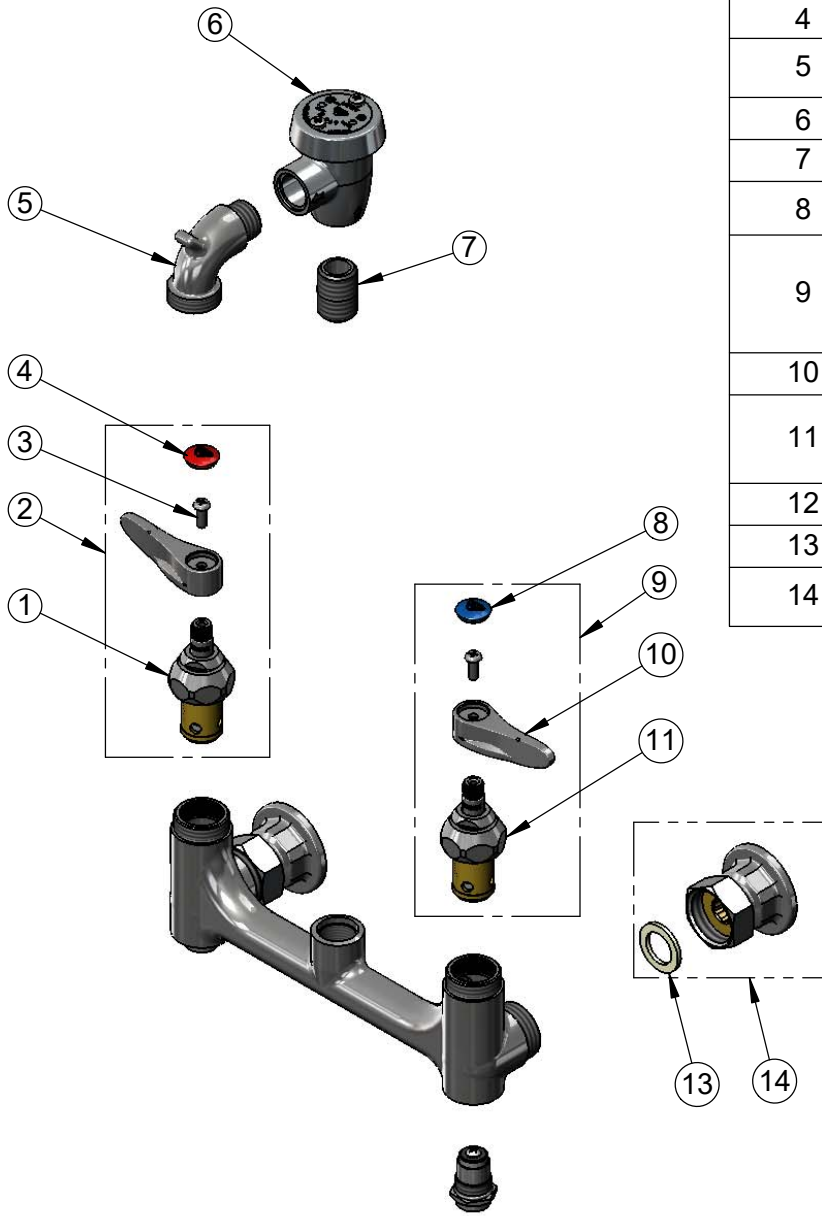
T&S BRASS AND BRONZE WORKS, INC.
 2 Saddleback Cove / P.O. Box 1088
 Travelers Rest, SC 29690

Model No.
B-0674-BSTP

Item No.

Travelers Rest, SC: 800-476-4103 • Simi Valley, CA: 800-423-0150 • Fax: 864-834-3518 • www.tsbrass.com

ITEM NO.	SALES NO.	DESCRIPTION
1	012443-40NS	Quarter-Turn Eterna Cartridge - RTC w/ Spring Check
2	002712-40NS	Quarter-Turn Eterna Cartridge - RTC w/ Spring Check, Handle, Index & Screw
3	000925-45	Lab Handle Screw
4	001193-19NS	Red Button Index, Press-in
5	000270-40	Spout, Garden Hose Male Outlet
6	B-0969	1/2" NPT Vacuum Breaker
7	002534-25	Close Nipple, 1/2" NPT
8	018506-19NS	Blue Button Index, Press-in
9	002711-40NS	Quarter-Turn Eterna Cartridge - LTC w/ Spring Check, Handle, Index & Screw
10	001638-45NS	Lever Handle (New Style)
11	012442-40NS	Quarter-Turn Eterna Cartridge - LTC w/ Spring Check
12	163A	Built-in Service Stop
13	001019-45	Coupling Nut Washer
14	00AA	1/2" NPT Female Eccentric Flange



Product Specifications:
 Wall Mount Service Sink Faucet, Quarter-Turn Eterna Cartridges w/ Spring Checks, Lever Handles, Pail Hook Spout w/ Garden Hose Male Outlet, Polish Chrome Finish, Built-In Service Stops & 1/2" NPT Female Adjustable Inlets

Product Compliance:
 ASME A112.18.1 / CSA B125.1
 NSF 61 - Section 9
 NSF 372 (Low Lead Content)
 ANSI A117.1 (ADA)
 ASSE 1001 (VB)