



T&S BRASS AND BRONZE WORKS, INC.
 2 Saddleback Cove / P.O. Box 1088
 Travelers Rest, SC 29690

Model No.

B-0671-RGH

Item No.

Travelers Rest, SC: 800-476-4103 • Simi Valley, CA: 800-423-0150 • Fax: 864-834-3518 • www.tsbrass.com

This Space for Architect/Engineer Approval

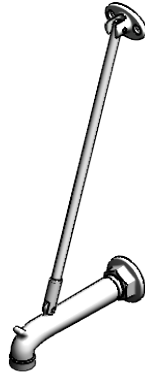
Job Name _____ Date _____

Model Specified _____ Quantity _____

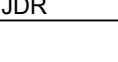
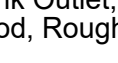
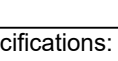
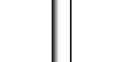
Customer/Wholesaler _____

Contractor _____

Architect/Engineer _____



1 1/2"
[38mm]



Ø2"
[51mm]
Flange w/
1/2" NPT
Female Inlet

Upper Wall Support
Rod w/ Wall Bracket
& Mounting Screws

Pail Hook Spout
w/ Garden Hose
Male Outlet

13 3/16"
[335mm]

1 5/16"
[33mm]

6 3/16"
[156mm]

Product Specifications:

Service Sink Outlet, Pail Hook Spout w/ Garden Hose Male Outlet, Upper Support Rod, Rough Chrome Finish & 1/2" NPT Female Inlet

Product Compliance:

ASME A112.18.1 / CSA B125.1
 NSF 61 - Section 9
 NSF 372 (Low Lead Content)



T&S BRASS AND BRONZE WORKS, INC.

2 Saddleback Cove / P.O. Box 1088
Travelers Rest, SC 29690

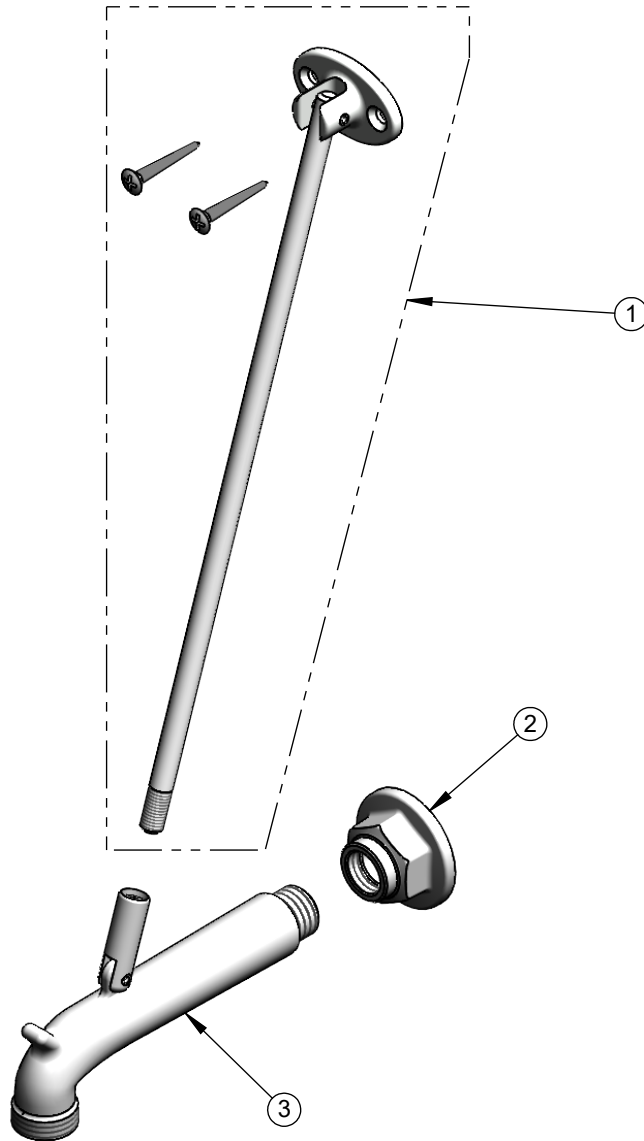
Model No.

B-0671-RGH

Item No.

Travelers Rest, SC: 800-476-4103 • Simi Valley, CA: 800-423-0150 • Fax: 864-834-3518 • www.tsbrass.com

ITEM NO.	SALES NO.	DESCRIPTION
1	009546-40	Upper Support Rod
2	B-0445	1" Faucet Inlet Extension
3	009545-25	Spout w/ Male GH Outlet & Upper Clevis - Rough Chrome



Product Specifications:

Service Sink Outlet, Pail Hook Spout w/ Garden Hose Male Outlet, Upper Support Rod, Rough Chrome Finish & 1/2" NPT Female Inlet

Product Compliance:

ASME A112.18.1 / CSA B125.1
NSF 61 - Section 9
NSF 372 (Low Lead Content)

Drawn: JDR

Checked: JRM

Approved: JHB

Date: 03/11/24

Scale: NTS

Sheet: 2 of 2