



**T&S BRASS AND BRONZE WORKS, INC.**  
 2 Saddleback Cove / P.O. Box 1088  
 Travelers Rest, SC 29690

Model No.

**B-0671-POL**

Item No.

Travelers Rest, SC: 800-476-4103 • Simi Valley, CA: 800-423-0150 • Fax: 864-834-3518 • www.tsbrass.com

This Space for Architect/Engineer Approval

Job Name \_\_\_\_\_ Date \_\_\_\_\_

Model Specified \_\_\_\_\_ Quantity \_\_\_\_\_

Customer/Wholesaler \_\_\_\_\_

Contractor \_\_\_\_\_

Architect/Engineer \_\_\_\_\_



1 1/2"  
[38mm]



Upper Wall Support  
Rod w/ Wall Bracket  
& Mounting Screws

Pail Hook Spout  
w/ Garden Hose  
Male Outlet

Ø2"  
[51mm]  
Flanges w/  
1/2" NPT  
Female Inlets

13 3/16"  
[335mm]

1 5/16"  
[33mm]

6 3/16"  
[156mm]

Product Specifications:

Service Sink Outlet, Pail Hook Spout w/ Garden Hose Male Outlet, Upper Support Rod, Polish Chrome Finish & 1/2" NPT Female Inlet

Product Compliance:

ASME A112.18.1 / CSA B125.1  
 NSF 61 - Section 9  
 NSF 372 (Low Lead Content)



# T&S BRASS AND BRONZE WORKS, INC.

2 Saddleback Cove / P.O. Box 1088  
Travelers Rest, SC 29690

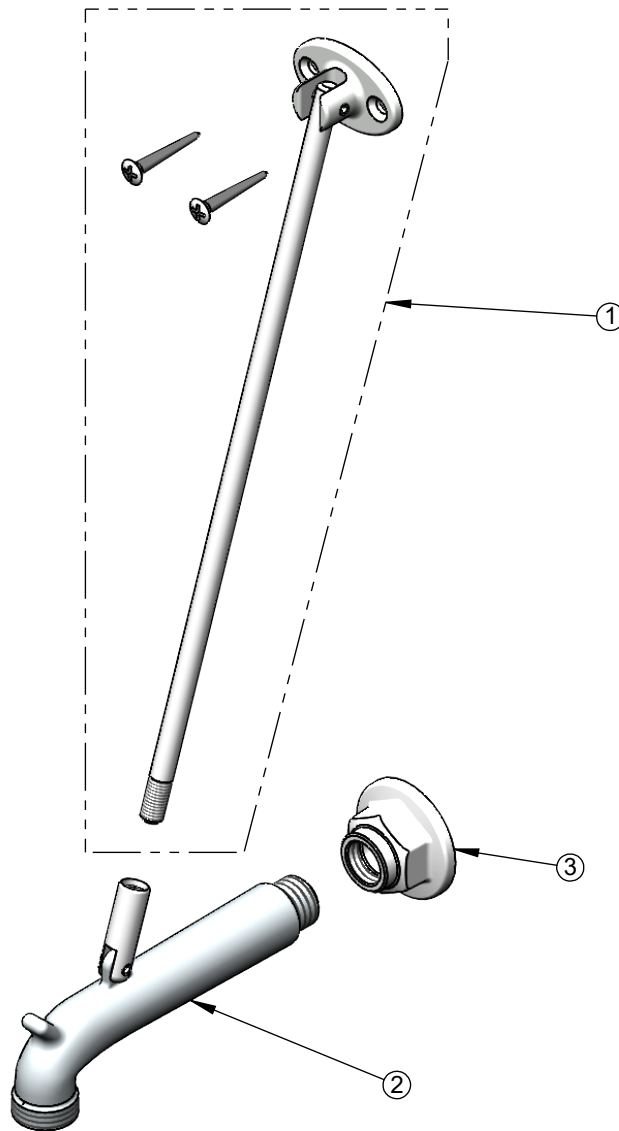
Model No.

**B-0671-POL**

Item No.

Travelers Rest, SC: 800-476-4103 • Simi Valley, CA: 800-423-0150 • Fax: 864-834-3518 • www.tsbrass.com

ITEM NO.	SALES NO.	DESCRIPTION
1	009546-40	Upper Support Rod
2	009545-40	Spout w/ Male GH Outlet & Upper Clevis - Polished Chrome
3	B-0445	1" Faucet Inlet Extension



**Product Specifications:**

Service Sink Outlet, Pail Hook Spout w/ Garden Hose Male Outlet, Upper Support Rod, Polish Chrome Finish & 1/2" NPT Female Inlet

**Product Compliance:**

ASME A112.18.1 / CSA B125.1  
NSF 61 - Section 9  
NSF 372 (Low Lead Content)