



T&S BRASS AND BRONZE WORKS, INC.

2 Saddleback Cove / P.O. Box 1088
Travelers Rest, SC 29690

Model No.

B-0665-POL

Item No.

Travelers Rest, SC: 800-476-4103 • Simi Valley, CA: 800-423-0150 • Fax: 864-834-3518 • www.tsbrass.com

This Space for Architect/Engineer Approval

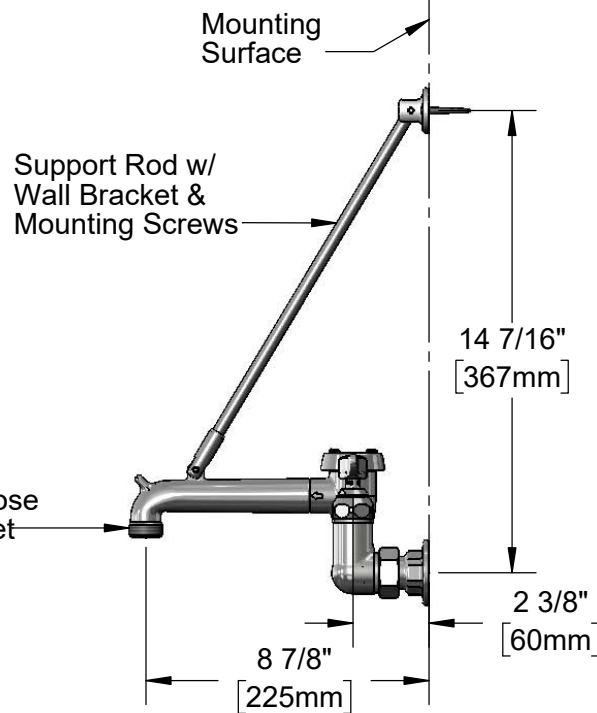
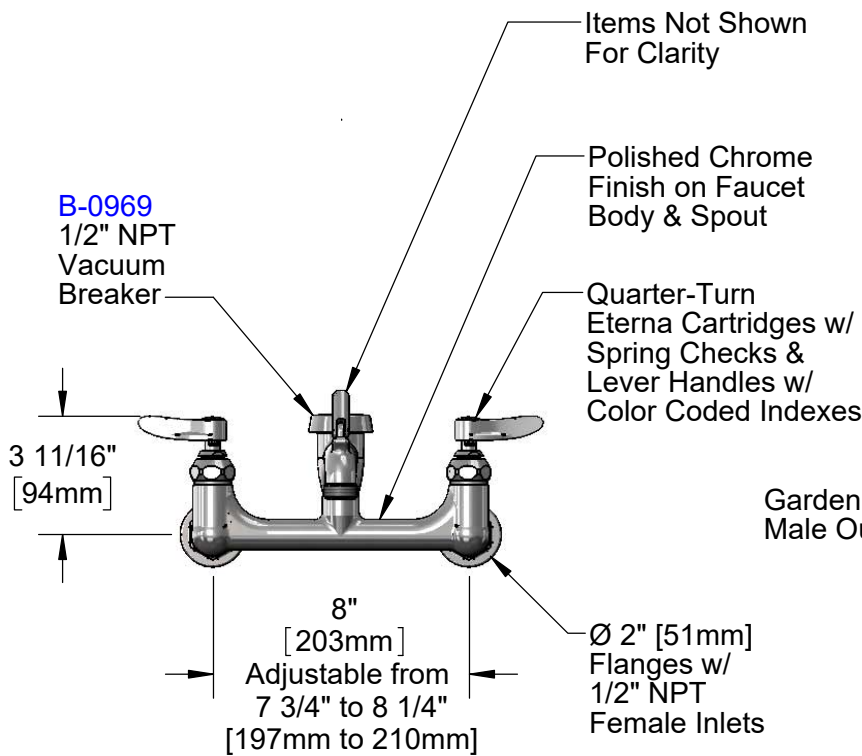
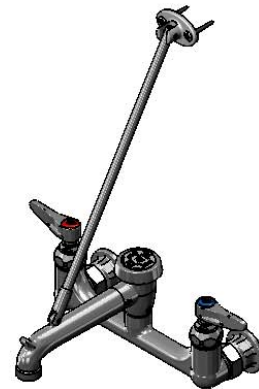
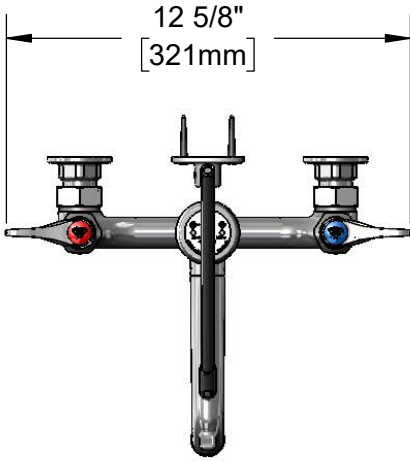
Job Name _____ Date _____

Model Specified _____ Quantity _____

Customer/Wholesaler _____

Contractor _____

Architect/Engineer _____



Product Specifications:

8" Wall Mount Service Sink, Quarter-Turn Eterna Cartridges w/ Spring Checks, Lever Handles, Upper Support Rod, Garden Hose Male Outlet, Polished Chrome Finish, 1/2" NPT Vacuum Breaker & 1/2" NPT Female Inlets

Product Compliance:

ASME A112.18.1 / CSA B125.1
NSF 61 - Section 9
NSF 372 (Low Lead Content)
ANSI A117.1 (ADA)
ASSE 1001 (VB)



T&S BRASS AND BRONZE WORKS, INC.

2 Saddleback Cove / P.O. Box 1088
Travelers Rest, SC 29690

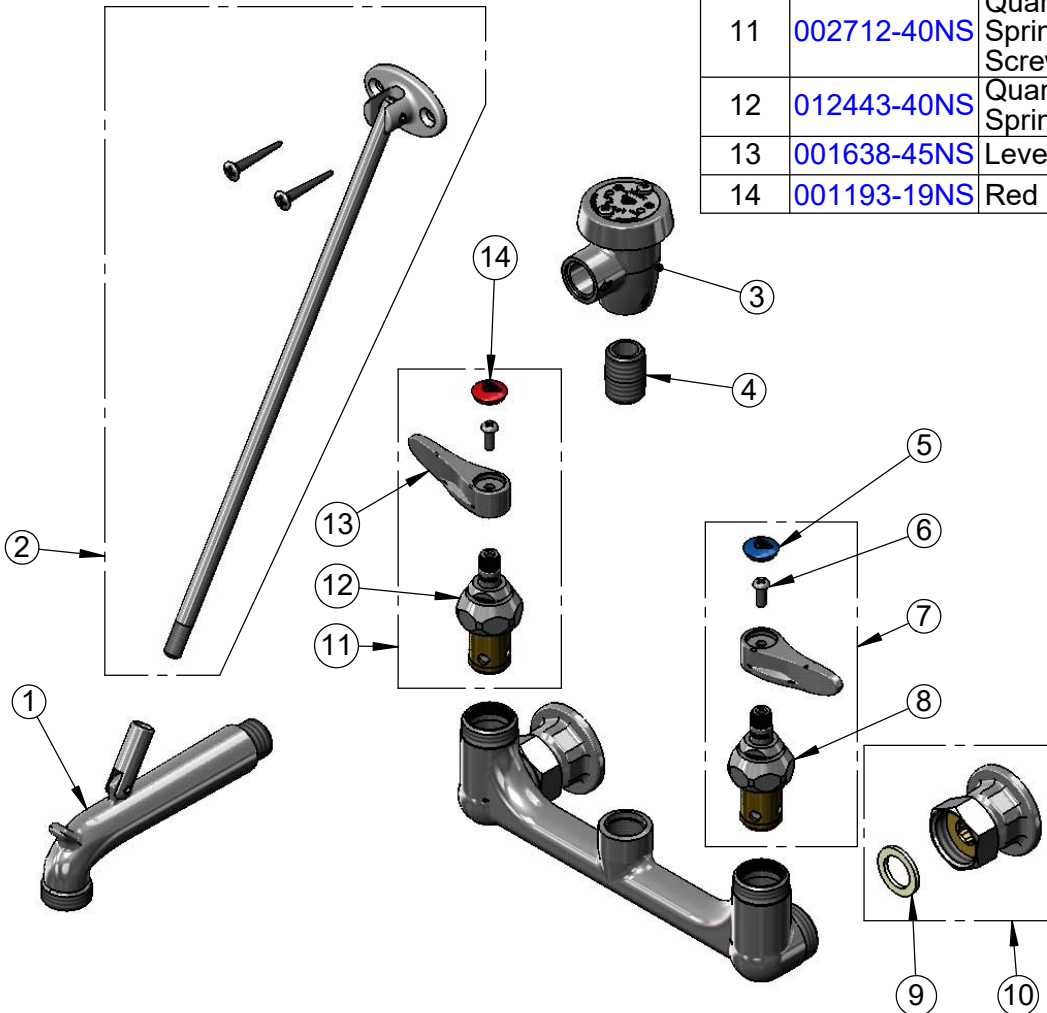
Model No.

B-0665-POL

Item No.

Travelers Rest, SC: 800-476-4103 • Simi Valley, CA: 800-423-0150 • Fax: 864-834-3518 • www.tsbrass.com

ITEM NO.	SALES NO.	DESCRIPTION
1	009545-40	Spout w/ Male GH Outlet & Upper Clevis - Polished Chrome
2	009546-40	Upper Support Rod
3	B-0969	1/2" NPT Vacuum Breaker
4	002534-25	Close Nipple, 1/2" NPT
5	018506-19NS	Blue Button Index, Press-in
6	000925-45	Lab Handle Screw
7	002711-40NS	Quarter-Turn Eterna Cartridge w/ Spring Check, Handle, Blue Index & Screw, LTC
8	012442-40NS	Quarter-Turn Eterna Cartridge w/ Spring Check, LTC
9	001019-45	Coupling Nut Washer
10	00AA	1/2" NPT Female Eccentric Flange
11	002712-40NS	Quarter-Turn Eterna Cartridge w/ Spring Check, Handle, Red Index & Screw, RTC
12	012443-40NS	Quarter-Turn Eterna Cartridge w/ Spring Check, RTC
13	001638-45NS	Lever Handle (New Style)
14	001193-19NS	Red Button Index, Press-in



Product Specifications:

8" Wall Mount Service Sink, Quarter-Turn Eterna Cartridges w/ Spring Checks, Lever Handles, Upper Support Rod, Garden Hose Male Outlet, Polished Chrome Finish, 1/2" NPT Vacuum Breaker & 1/2" NPT Female Inlets

Product Compliance:

ASME A112.18.1 / CSA B125.1
NSF 61 - Section 9
NSF 372 (Low Lead Content)
ANSI A117.1 (ADA)
ASSE 1001 (VB)