



T&S BRASS AND BRONZE WORKS, INC.

2 Saddleback Cove / P.O. Box 1088
Travelers Rest, SC 29690

Model No.

B-0665-CRBSTPVR

Item No.

Travelers Rest, SC: 800-476-4103 • Simi Valley, CA: 800-423-0150 • Fax: 864-834-3518 • www.tsbrass.com



ADA Compliant

This Space for Architect/Engineer Approval

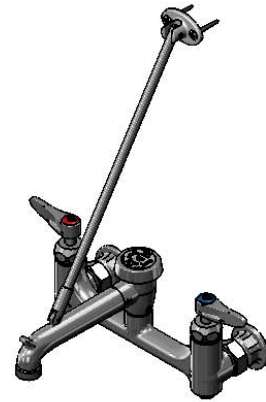
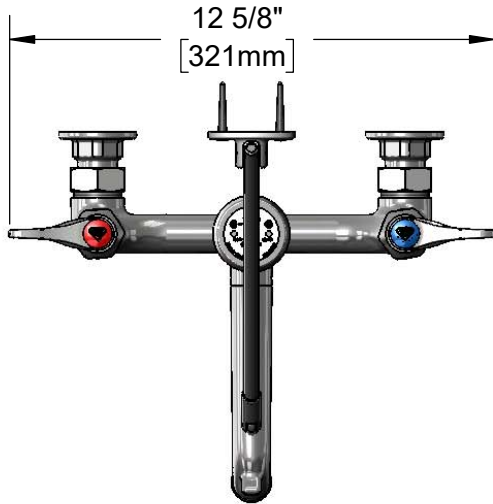
Job Name _____ Date _____

Model Specified _____ Quantity _____

Customer/Wholesaler _____

Contractor _____

Architect/Engineer _____



Items Not Shown for Clarity

B-0969
1/2" NPT
Vacuum
Breaker

Quarter-Turn
Cerama Cartridges w/
Check Valves & Lever
Handles w/ Color Coded
Indexes & Vandal
Resistant Screws

Support Rod w/
Wall Bracket &
Mounting Screws
(Included)

Mounting
Surface

14 5/16"
[364mm]

Garden Hose
Male Outlet

1 1/8"
[28mm]

2 11/16"
[68mm]

3 7/8"
[97mm]

8"

[203mm]

Built-In
Service Stops

Adjustable From
7 3/4" to 8 1/4"
[197mm to 210mm]

9 1/8"
[232mm]

Product Specifications:

8" Wall Mount Service Sink Faucet, Quarter-Turn Cerama Cartridges w/ Check Valves, Lever Handles w/ Vandal Resistant Screws, Upper Support Rod, Built-In Service Stops, Garden Hose Male Outlet, Polished Chrome Finish, 1/2" NPT Vacuum Breaker & 1/2" NPT Female Inlets

Product Compliance:

ASME A112.18.1 / CSA B125.1
NSF 61 - Section 9
NSF 372 (Low Lead Content)
ANSI A117.1 (ADA)
ASSE 1001 (VB)



T&S BRASS AND BRONZE WORKS, INC.

2 Saddleback Cove / P.O. Box 1088
Travelers Rest, SC 29690

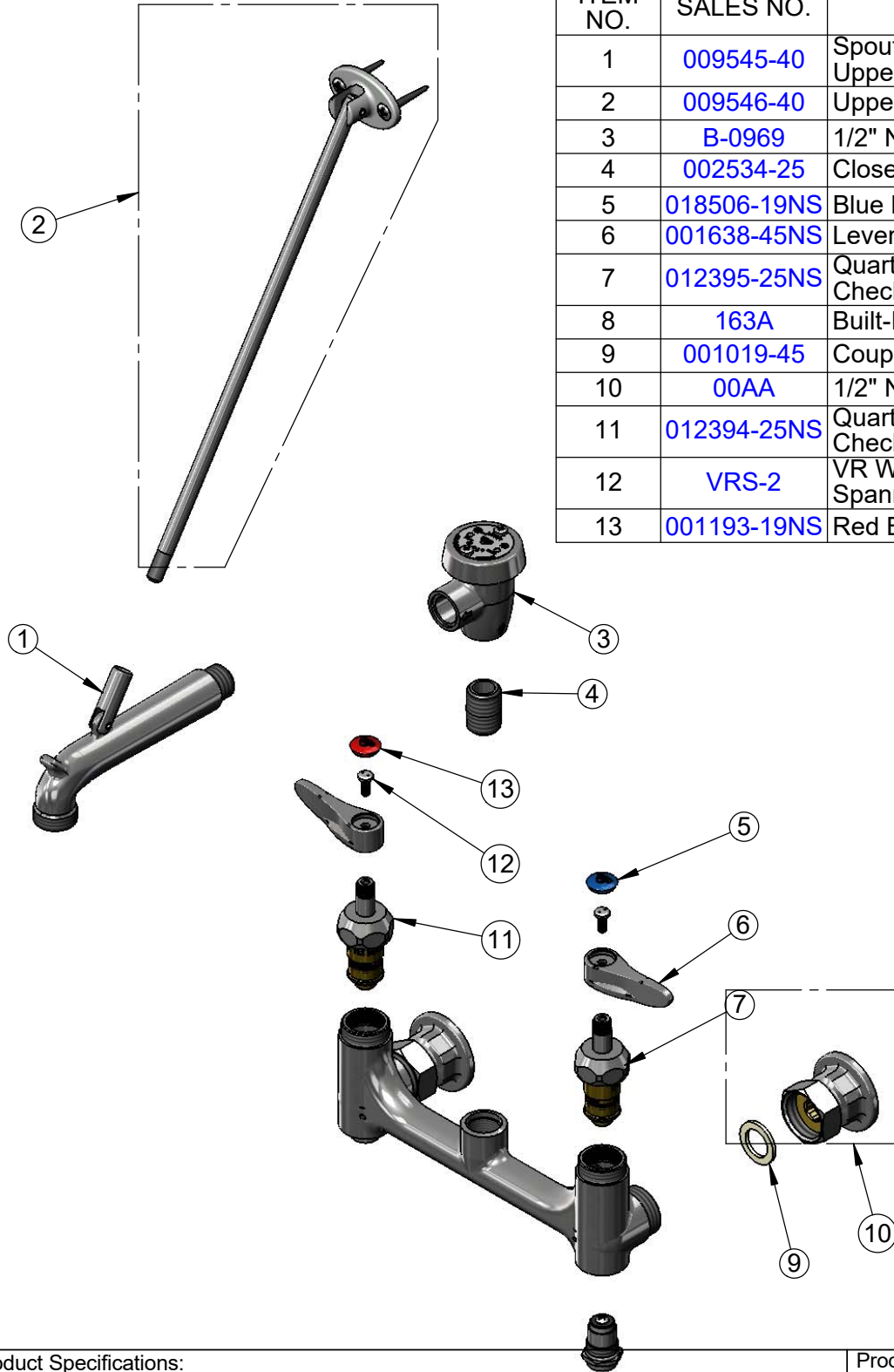
Model No.


B-0665-CRBSTPVR

Item No.

Travelers Rest, SC: 800-476-4103 • Simi Valley, CA: 800-423-0150 • Fax: 864-834-3518 • www.tsbrass.com

ITEM NO.	SALES NO.	DESCRIPTION
1	009545-40	Spout w/ Male Garden Hose Outlet & Upper Clevis - Polished Chrome
2	009546-40	Upper Support Rod
3	B-0969	1/2" NPT Vacuum Breaker
4	002534-25	Close Nipple, 1/2" NPT
5	018506-19NS	Blue Button Index, Press-in
6	001638-45NS	Lever Handle (New Style)
7	012395-25NS	Quarter-Turn Cerama Cartridge w/ Check Valve, LTC
8	163A	Built-In Service Stop
9	001019-45	Coupling Nut Washer
10	00AA	1/2" NPT Female Eccentric Flange
11	012394-25NS	Quarter-Turn Cerama Cartridge w/ Check Valve, RTC
12	VRS-2	VR Wrist Action Handle Screw (2) w/ Spanner Bit
13	001193-19NS	Red Button Index, Press-in




014075-45
Vandal Resistant
#10 Spanner Bit

Product Specifications:
8" Wall Mount Service Sink Faucet, Quarter-Turn Cerama Cartridges w/ Check Valves, Lever Handles w/ Vandal Resistant Screws, Upper Support Rod, Built-In Service Stops, Garden Hose Male Outlet, Polished Chrome Finish, 1/2" NPT Vacuum Breaker & 1/2" NPT Female Inlets

Product Compliance:
ASME A112.18.1 / CSA B125.1
NSF 61 - Section 9
NSF 372 (Low Lead Content)
ANSI A117.1 (ADA)
ASSE 1001 (VB)