



T&S BRASS AND BRONZE WORKS, INC.
 2 Saddleback Cove / P.O. Box 1088
 Travelers Rest, SC 29690

Model No.
B-0665-CR-BSTR

Item No.

Travelers Rest, SC: 800-476-4103 • Simi Valley, CA: 800-423-0150 • Fax: 864-834-3518 • www.tsbrass.com



ADA Compliant

This Space for Architect/Engineer Approval

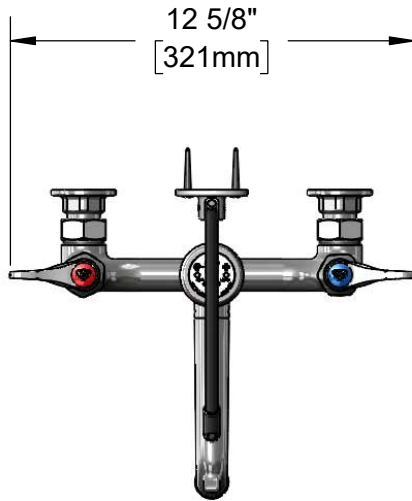
Job Name _____ Date _____

Model Specified _____ Quantity _____

Customer/Wholesaler _____

Contractor _____

Architect/Engineer _____



Support Rod w/
 Wall Bracket &
 Mounting Screws

Items Not Shown
 for Clarity

B-0969
 1/2" NPT Vacuum
 Breaker

Quarter-Turn
 Cerama Cartridges w/
 Check Valves &
 Lever Handles w/
 Color Coded Indexes

Garden Hose
 Male Outlet

Ø 2" [51mm]
 Flanges w/
 1/2" NPT
 Female Inlets

Built-In Service
 Stops

Mounting
 Surface

14 3/8"
 [365mm]

2 11/16"
 [68mm]

9 1/8"
 [232mm]

3 13/16"
 [97mm]

8"
 [203mm]
 Adjustable From
 7 3/4" to 8 1/4"
 [197mm to 210mm]

Product Specifications:

8" Wall Mount Service Sink, Quarter-Turn Cerama Cartridges w/ Check Valves, Lever Handles, Upper Support Rod, Built-In Stops, Garden Hose Male Outlet, Polished Chrome Finish, 1/2" NPT Vacuum Breaker & 1/2" NPT Female Inlets

Product Compliance:

ASME A112.18.1 / CSA B125.1
 NSF 61 - Section 9
 NSF 372 (Low Lead Content)
 ANSI A117.1 (ADA)
 ASSE 1001 (VB)



T&S BRASS AND BRONZE WORKS, INC.

2 Saddleback Cove / P.O. Box 1088
Travelers Rest, SC 29690

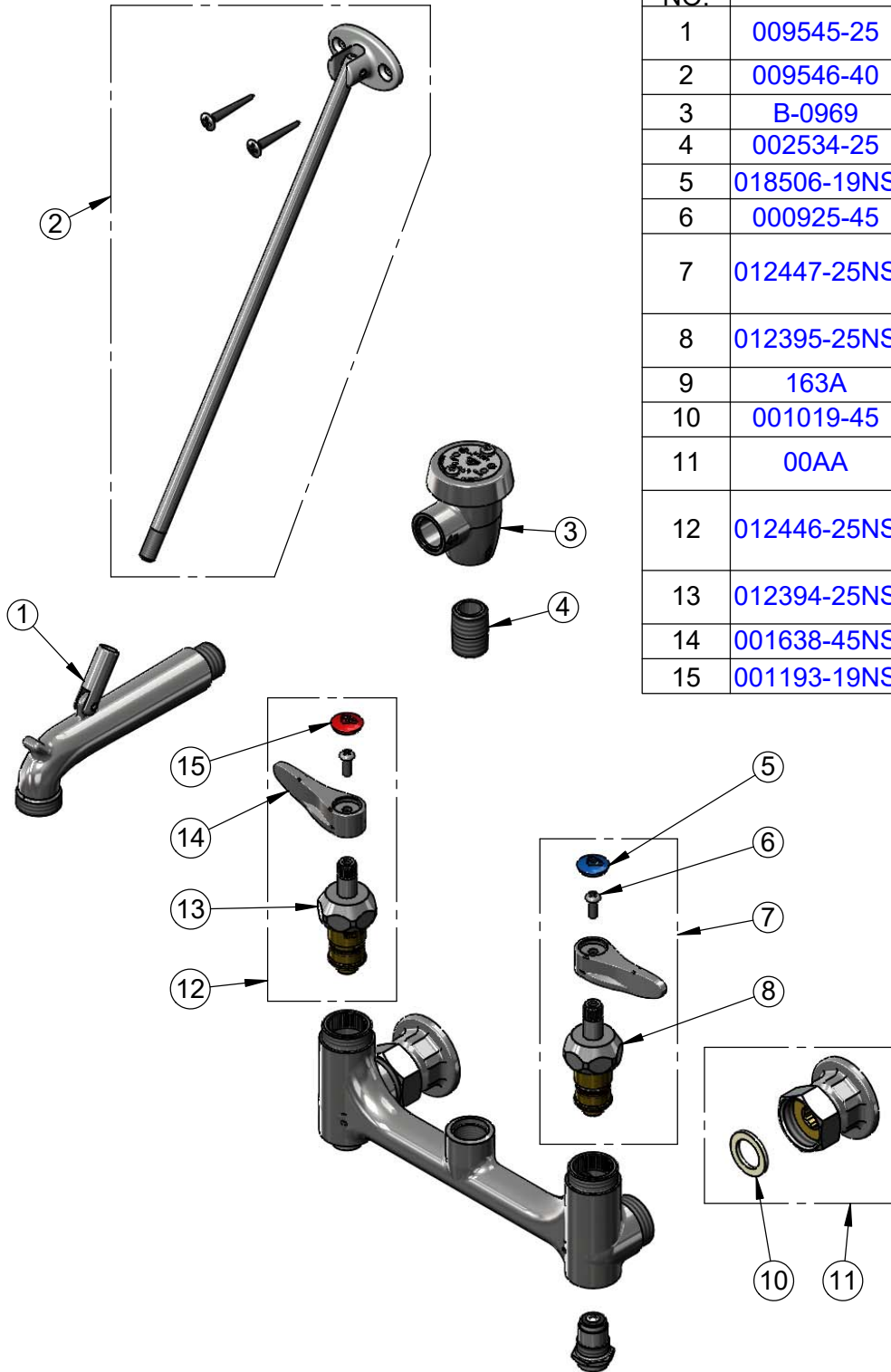
Model No.

B-0665-CR-BSTR

Item No.

Travelers Rest, SC: 800-476-4103 • Simi Valley, CA: 800-423-0150 • Fax: 864-834-3518 • www.tsbrass.com

ITEM NO.	SALES NO.	DESCRIPTION
1	009545-25	Spout w/ Male GH Outlet & Upper Clevis - Rough Chrome
2	009546-40	Upper Support Rod
3	B-0969	1/2" NPT Vacuum Breaker
4	002534-25	Close Nipple, 1/2" NPT
5	018506-19NS	Blue Button Index, Press-in
6	000925-45	Lab Handle Screw
7	012447-25NS	Quarter-Turn Cerama Cartridge w/ Check Valve, Handle, Blue Index & Screw, LTC
8	012395-25NS	Quarter-Turn Cerama Cartridge w/ Check Valve, LTC
9	163A	Built-in Service Stop
10	001019-45	Coupling Nut Washer
11	00AA	1/2" NPT Female Eccentric Flange
12	012446-25NS	Quarter-Turn Cerama Cartridge w/ Check Valve, Handle, Red Index & Screw, RTC
13	012394-25NS	Quarter-Turn Cerama Cartridge w/ Check Valve, RTC
14	001638-45NS	Lever Handle (New Style)
15	001193-19NS	Red Button Index, Press-in



Product Specifications:

8" Wall Mount Service Sink, Quarter-Turn Cerama Cartridges w/ Check Valves, Lever Handles, Upper Support Rod, Built-In Stops, Garden Hose Male Outlet, Polished Chrome Finish, 1/2" NPT Vacuum Breaker & 1/2" NPT Female Inlets

Product Compliance:

ASME A112.18.1 / CSA B125.1
NSF 61 - Section 9
NSF 372 (Low Lead Content)
ANSI A117.1 (ADA)
ASSE 1001 (VB)