



T&S BRASS AND BRONZE WORKS, INC.

2 Saddleback Cove / P.O. Box 1088
Travelers Rest, SC 29690

Model No.

B-0665-BSTR-963

Item No.

Travelers Rest, SC: 800-476-4103 • Simi Valley, CA: 800-423-0150 • Fax: 864-834-3518 • www.tsbrass.com



ADA Compliant

This Space for Architect/Engineer Approval

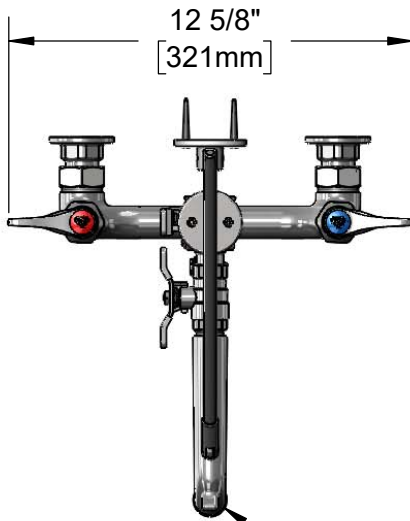
Job Name _____ Date _____

Model Specified _____ Quantity _____

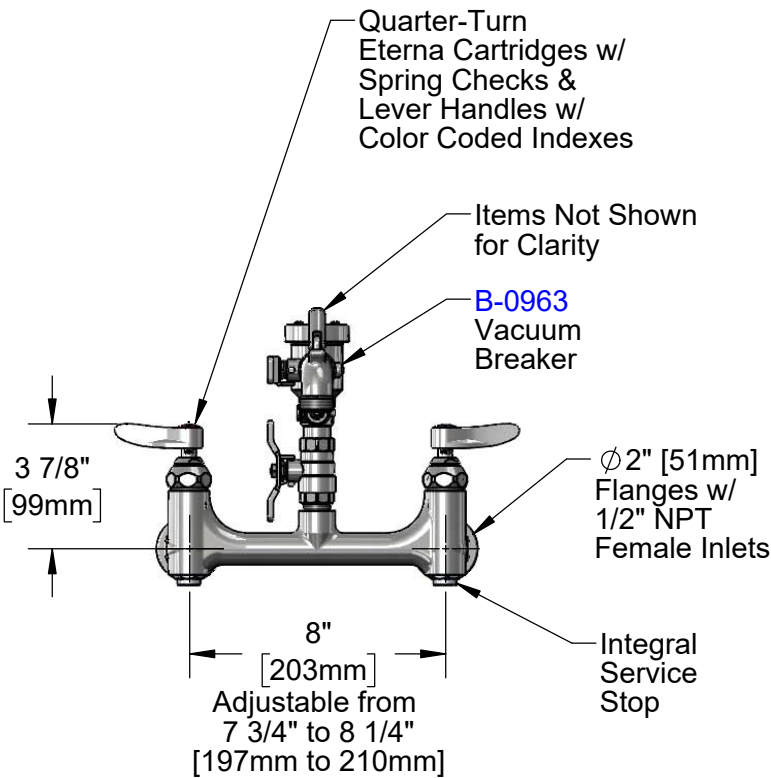
Customer/Wholesaler _____

Contractor _____

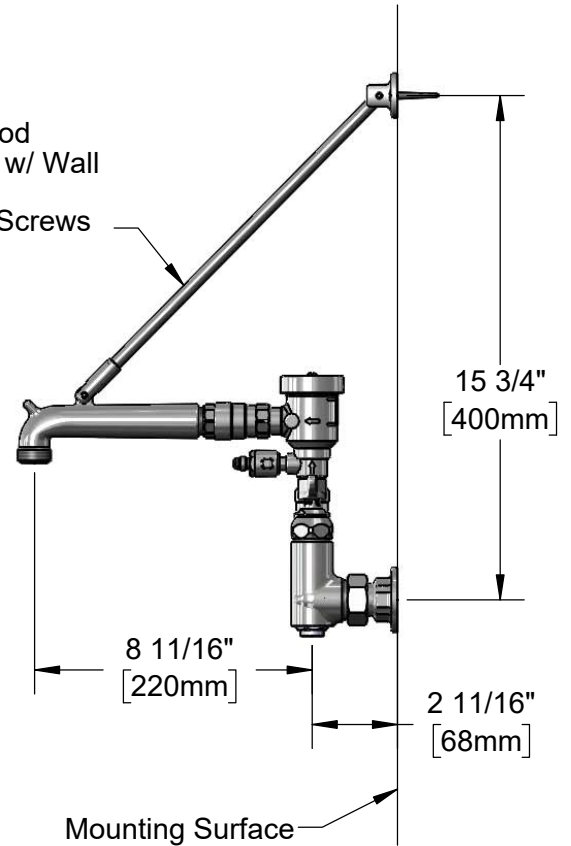
Architect/Engineer _____



Garden Hose Male Outlet



Support Rod Furnished w/ Wall Bracket & Mounting Screws



Product Specifications:

Wall Mount Service Sink, Rough Chrome with Integral Service Stops, Quarter-Turn Eterna Cartridges w/ Spring Checks, Lever Handles and Continuous Pressure Vacuum Breaker w/ Quarter-Turn Ball Valves

Product Compliance:

ASME A112.18.1 / CSA B125.1
NSF 61 - Section 9
NSF 372 (Low Lead Content)
ASSE 1056 (VB)
ANSI A117.1 (ADA)



T&S BRASS AND BRONZE WORKS, INC.

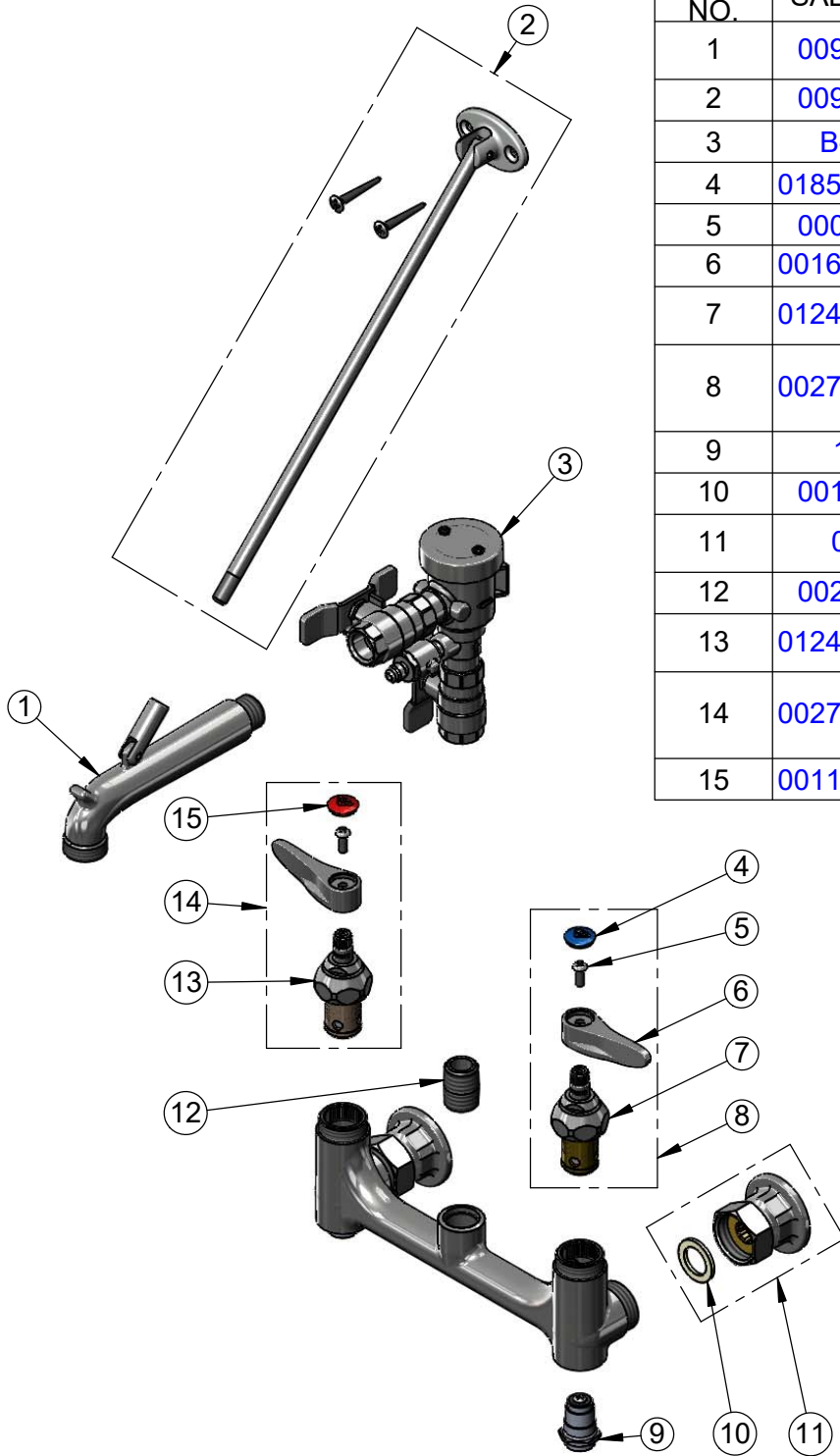
2 Saddleback Cove / P.O. Box 1088
Travelers Rest, SC 29690

Model No.

B-0665-BSTR-963

Item No.

Travelers Rest, SC: 800-476-4103 • Simi Valley, CA: 800-423-0150 • Fax: 864-834-3518 • www.tsbrass.com



ITEM NO.	SALES NO.	DESCRIPTION
1	009545-25	Spout w/ Male Garden Hose Outlet & Upper Clevis- Rough Chrome
2	009546-40	Support Rod B-0665 - Polish Chrome
3	B-0963	Vacuum Breaker 1/2 NPT Female
4	018506-19NS	Blue Button Index, Press-in
5	000925-45	Lab Handle Screw
6	001638-45NS	Lever Handle (New Style)
7	012442-40NS	Quarter-Turn Eterna Cartridge w/ Spring Check, LTC
8	002711-40NS	Quarter-Turn Eterna Cartridge w/ Spring Check, Handle, Blue Index & Screw, LTC
9	163A	BST Assembly, 163A
10	001019-45	Coupling Nut Washer
11	00AA	1/2" NPT Female Eccentric Flange
12	002534-25	Close Nipple, 1/2" NPT
13	012443-40NS	Quarter-Turn Eterna Cartridge w/ Spring Check, RTC
14	002712-40NS	Quarter-Turn Eterna Cartridge w/ Spring Check, Handle, Red Index & Screw, RTC
15	001193-19NS	Red Button Index, Press-in

Product Specifications:

Wall Mount Service Sink, Rough Chrome with Integral Service Stops, Quarter-Turn Eterna Cartridges w/ Spring Checks, Lever Handles and Continuous Pressure Vacuum Breaker w/ Quarter-Turn Ball Valves

Product Compliance:

ASME A112.18.1 / CSA B125.1
NSF 61 - Section 9
NSF 372 (Low Lead Content)
ASSE 1056 (VB)
ANSI A117.1 (ADA)