



T&S BRASS AND BRONZE WORKS, INC.

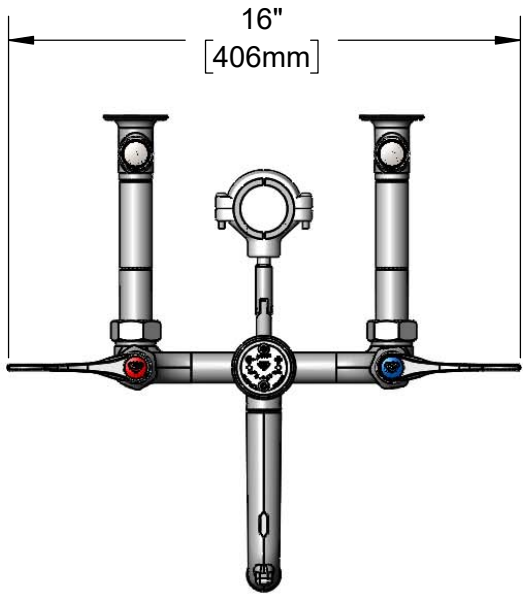
2 Saddleback Cove / P.O. Box 1088
Travelers Rest, SC 29690

Model No.

B-0664-03

Item No.

Travelers Rest, SC: 800-476-4103 • Simi Valley, CA: 800-423-0150 • Fax: 864-834-3518 • www.tsbrass.com



ADA Compliant

This Space for Architect/Engineer Approval

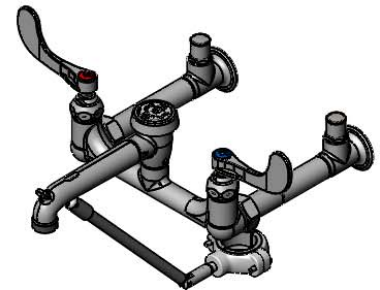
Job Name _____ Date _____

Model Specified _____ Quantity _____

Customer/Wholesaler _____

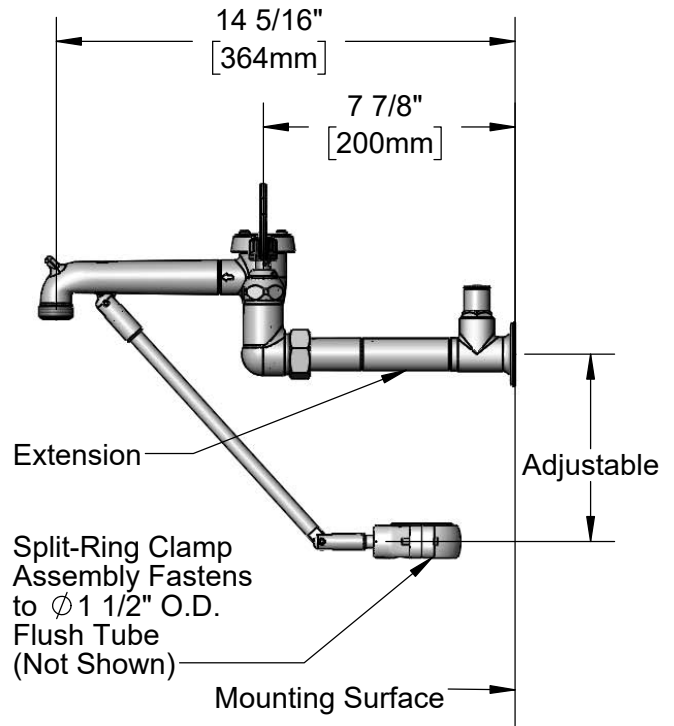
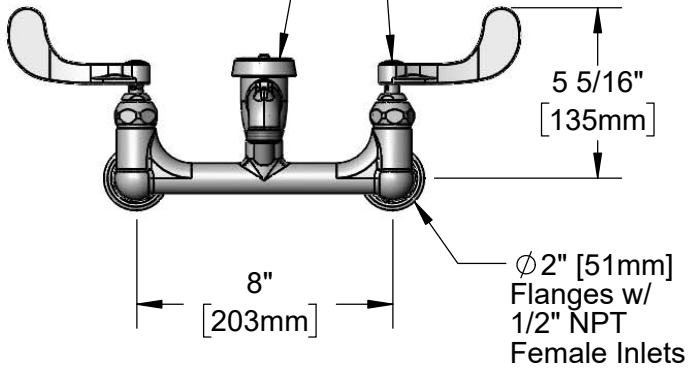
Contractor _____

Architect/Engineer _____



B-0969
1/2" Vacuum
Breaker

Quarter-Turn
Eterna Cartridges w/
Spring Checks &
4" Wrist Action Handles w/
Color Coded Indexes



Product Specifications:

8" Wall Mount Service Sink Faucet, Quarter-Turn Eterna Cartridges with Spring Checks, Split-Ring Lower Support Clamp for use on \varnothing 1 1/2" Flush Tubes, 4" Wrist Handles, Polished Chrome Finish, Vacuum Breaker, 1/2" NPT Female Inlets, Integral Service Stops & Garden Hose Male Outlet

Product Compliance:

ASME A112.18.1 / CSA B125.1
NSF 61 - Section 9
NSF 372 (Low Lead Content)
ANSI A117.1 (ADA)
ASSE 1001 (VB)



T&S BRASS AND BRONZE WORKS, INC.

2 Saddleback Cove / P.O. Box 1088
Travelers Rest, SC 29690

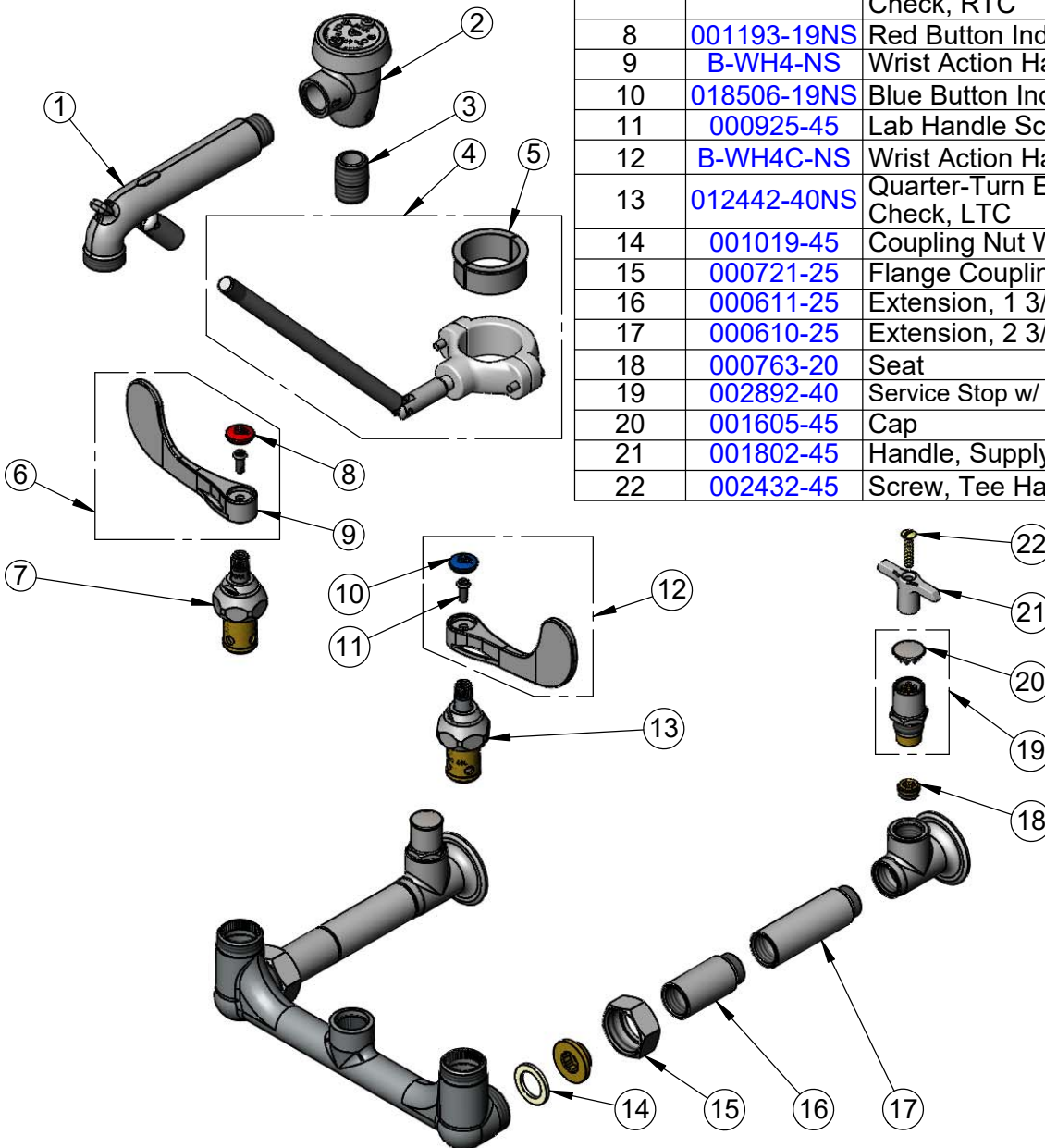
Model No.

B-0664-03

Item No.

Travelers Rest, SC: 800-476-4103 • Simi Valley, CA: 800-423-0150 • Fax: 864-834-3518 • www.tsbrass.com

ITEM NO.	SALES NO.	DESCRIPTION
1	016450-40	Spout Assembly, Polish Chrome w/ Lower Clevis
2	B-0969	1/2" NPT Vacuum Breaker
3	002534-25	Close Nipple, 1/2" NPT
4	017882-40	Split Ring Pipe Clamp Lower Assembly
5	016863-20	Clamp Split Bushing (Set of 2 halves)
6	B-WH4H-NS	Wrist Action Handle, Red Index & Screw
7	012443-40NS	Quarter-Turn Eterna Cartridge w/ Spring Check, RTC
8	001193-19NS	Red Button Index, Press-in
9	B-WH4-NS	Wrist Action Handle - New Style
10	018506-19NS	Blue Button Index, Press-in
11	000925-45	Lab Handle Screw
12	B-WH4C-NS	Wrist Action Handle, Blue Index & Screw
13	012442-40NS	Quarter-Turn Eterna Cartridge w/ Spring Check, LTC
14	001019-45	Coupling Nut Washer
15	000721-25	Flange Coupling Nut
16	000611-25	Extension, 1 3/4" Long
17	000610-25	Extension, 2 3/4" Long
18	000763-20	Seat
19	002892-40	Service Stop w/ Cap
20	001605-45	Cap
21	001802-45	Handle, Supply Stop "T"
22	002432-45	Screw, Tee Handle



Product Specifications:

8" Wall Mount Service Sink Faucet, Quarter-Turn Eterna Cartridges with Spring Checks, Split-Ring Lower Support Clamp for use on Ø 1 1/2" Flush Tubes, 4" Wrist Handles, Polished Chrome Finish, Vacuum Breaker, 1/2" NPT Female Inlets, Integral Service Stops & Garden Hose Male Outlet

Product Compliance:

ASME A112.18.1 / CSA B125.1
NSF 61 - Section 9
NSF 372 (Low Lead Content)
ANSI A117.1 (ADA)
ASSE 1001 (VB)